

SAMUEL
MÜELLER

SUPERB DESIGN
AFFORDABLE LUXURY



**CABINETS
COLLECTION** 2026

	PAGE
CABINETS	4-106
<i>CABINETS & VANITIES, ACCESSORIES, COUNTERTOPS AND VANITY TOPS, SINKS, BATH CLOSETS</i>	(147)
<hr/>	
Cabinet Details	4-9
<hr/>	
Cabinets	10-43
Base Cabinets	12-24
Wall Cabinets	25-39
Tall Cabinets	40-43
<hr/>	
Traditional Vanities	44-60
Sink Base Cabinets	46-47
Drawer Base Cabinets	48-49
Combo Base Cabinets	50-58
Linen Cabinets	59
<hr/>	
Cabinet Accessories	61-74
Cabinet Front & Floor, Shelves, Vanity Knee Drawer	62
Desk Knee Drawer, Decorative Legs, Valance, Corbels	63
Moldings Moldings, Toe Kick Cover	64-65
Wood Hoods, Range Hoods, Liners	66-67
Panels Panels, End Panels	68-69
End Panels, Fillers Fillers, Filler Overlays	70-71
Shelf Boards, Sample Door, Touch-Up Kit	72
Cabinet Hardware	73-74
<hr/>	
Mirrors	75-82
LED Mirror Details	76-77
Framed Vanity Mirrors	78-79
Illuminated LED Mirrors	80-82
<hr/>	
Vanity Tops	83-86
Stock Vanity Tops	84
Custom Vanity Tops & Order Form	85-86
<hr/>	
Lavatories	87-92
Pedestal & Drop-In	88
Undermount & Vessels	89-91
<hr/>	
Bath Closet Cabinets	93-97
Open with 5 Shelves - With Door & 5 Shelves	96
With Door & Hamper - With Door & 3 Drawer Stack	97
<hr/>	
Countertops	98-100
Countertops & Backsplashes	100
<hr/>	
Countertop Sinks	101-106
Stainless Steel Integral	104-106

	PAGE
CABINETS	107-147
<i>CLOSET CABINETS & ACCESSORIES, INSET CABINETS</i>	
Closet Details	107-112
Closet Systems	113-127
Tall Cabinet, Open Box	115
Tall Cabinet, Shoe Rack - Tall Cabinet, Stationary Rods	116
Tall Corner Cabinet - Tall Rotating Corner Cabinet	117
Tall Pullout Trouser & Shirt Cabinet - Tall Door / 3 Drawer Cabinet	118
Tall Dresser DWR with Pull Down - Tall Cabinet Pull Down Rod with Stationary Rod	119
Tall Pull Down with Trouser Pullout - Tall Pull Down with Bins	120
Base Cabinet, No Toe Kick, 1 Drawer - Base Cabinet, No Toe Kick, 2 Drawer	121
Base Cabinet, No Toe Kick, 3 Drawer - Base Cabinet, No Toe Kick, 5 Drawer	122
Base Cabinet, Toe Kick, 1 Drawer - Base Cabinet, Toe Kick, 3 Drawer	123
Bench Cabinet Toe Kick, 1 Drawer - Wall Base Cabinet Open Adjustable Shelves	124
Wall Base No Toe Kick - Wall Cabinet Lift Up Door	125
Wall Cabinet, Wall Base with Toe Kick	126
Add-On Options	127
Closet Accessories	128-136
Boxes	130
Basket & Racks	131
Mirror, Corner Unit, Clothes Rail & Rack	132
Pull Down Clothes Rod - Construction & Modifications, Options Legend	133
Cabinet Fillers, Panels & Moldings	134
Hardware	135-136
Inset Cabinets	137-144
Finger Pulls	138
Tall Cabinet, Stationary Rod, 1 Drawer - Tall Cabinet Pull Down Rod with 3 Shelves	139
Tall Cabinet, Shoe Rack - Tall Cabinet, Stationary Rods	140
Tall Dresser DWR with Pull Down - Tall Cabinet Pull Down Rod with Stationary Rod	141
Tall Cabinet Pull Down with Trouser Pullout - Tall Cabinet Pullout Trouser & Shirt Pullout	142
Tall Cabinet, Top Mount Trouser Pullout with 3 Drw - Tall Linen Closet, 3 Shelves, 3 Drw	143
Tall Linen Closet, 5 Shelves - Fillers	144
Warranty	145-147

*Actual product color may vary slightly.

Additional information such as individual spec sheets, as well as installation instructions can be found online at samuelmueller.com

Kitchen & Vanity Cabinets Door Styles

Framington Framed REMINGTON



Tan Wood
Group A



White
Group B

Framington Framed LATITUDE



Tan Wood
Group A



White
Group B

REMINGTON Group C



Smokey Grey



Light Grey



Navy Blue



Green

LATITUDE Group C



Smokey Grey



Light Grey



Navy Blue



Green

Cabinet Colors Price Groups

LIST Price	Colors
Group A	Tan Wood
Group B	White
Group C	Smokey Grey
	Light Grey
	Navy Blue
	Green

Cabinet Availability

Color	Kitchen Cabinets		34.5"H Vanity Cabinets		32.5"H Vanity Cabinets		31"H Vanity Cabinets	
	Remington	Latitude	Remington	Latitude	Remington	Latitude	Remington	Latitude
Tan Wood	✓	✓	✓	✓	✓	✓	✓	
White	✓	✓	✓	✓	✓	✓	✓	
Smokey Grey	✓	✓	✓	✓	✓	✓		
Light Grey	✓	✓	✓	✓	✓	✓		
Navy Blue	✓	✓	✓	✓	✓	✓		
Green	✓	✓	✓	✓	✓	✓		

Colors (Listed in detail on page 4)

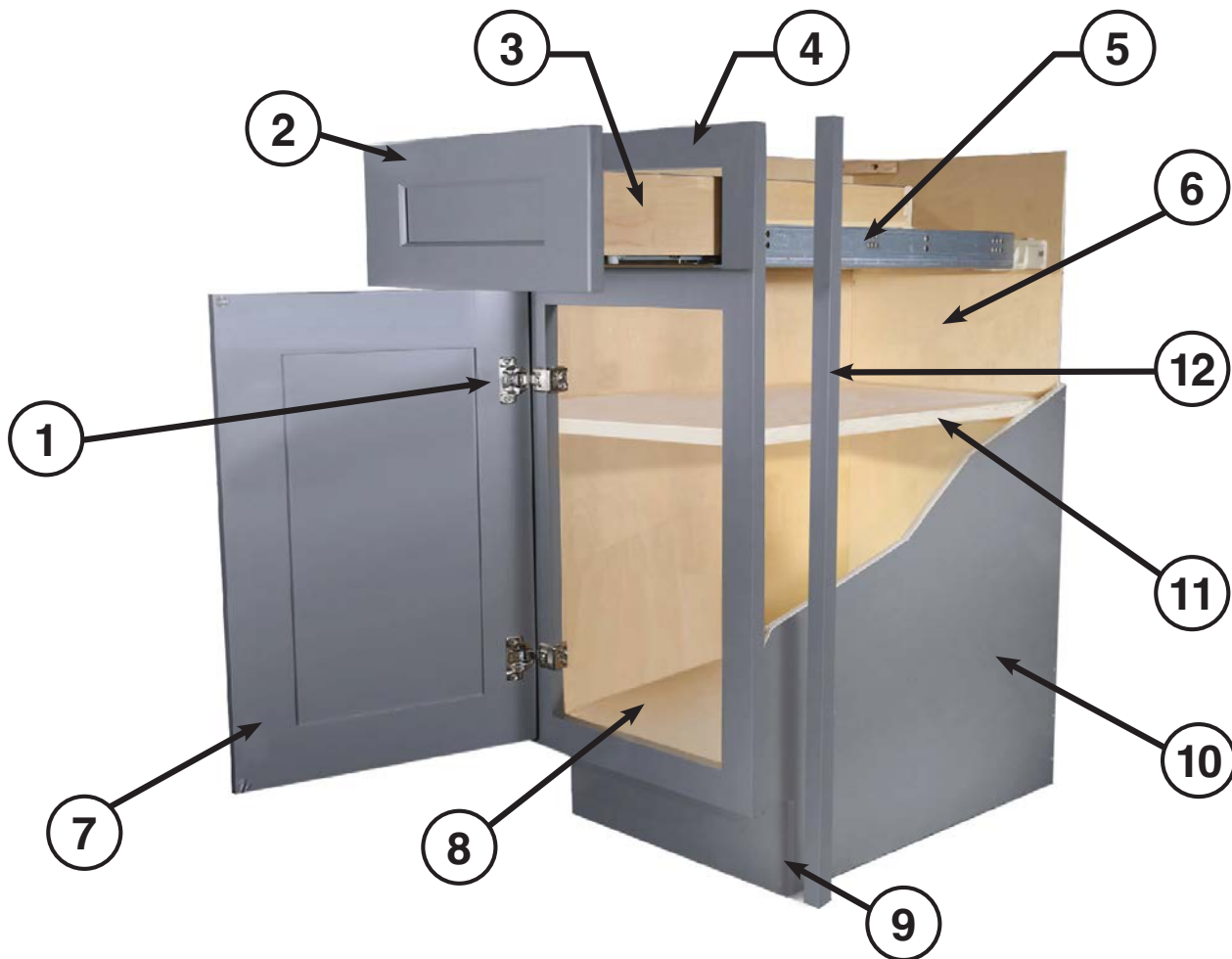
Stained Wood	Painted	Stained Wood	Painted		
					
Tan Wood TW	White WH	Smokey Grey SG	Light Grey LG	Navy Blue NB	Green GR



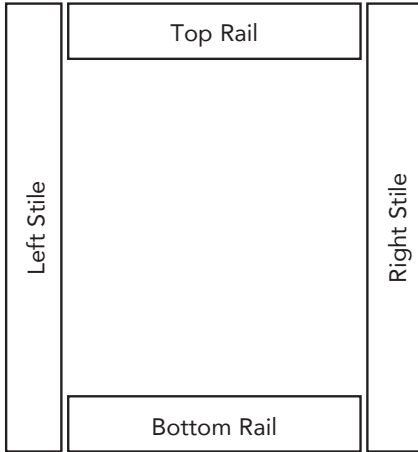
*New products are marked in **BLUE** in their respective table, and marked with the "NEW!" symbol at the top of the page

*Actual product color may vary slightly.

Cabinet Details Diagram



1. 6-Way Adjustable European Style Hinge With Soft Close Feature
2. Full Overlay 5 Piece Drawer Front Construction
3. 5/8" Dovetail Drawer Box
4. 3/4" x 1-1/2" Hardwood Face Frame
5. Undermount Full Extension Soft Close Drawer Glides
6. 1/2" Plywood Full Height Back Panel
7. Full Overlay 5 Piece Door Construction
8. UV Coated Natural Plywood Interior
9. 1/2" Thick x 4-1/2" Finished Toe Kick
10. 1/2" Plywood Box with UV Coated Matching Exterior
11. 3/4" Plywood Full Depth Shelf With Front Edge Banding
12. 3/4" Loose Filler With Vanity Cabinets Only



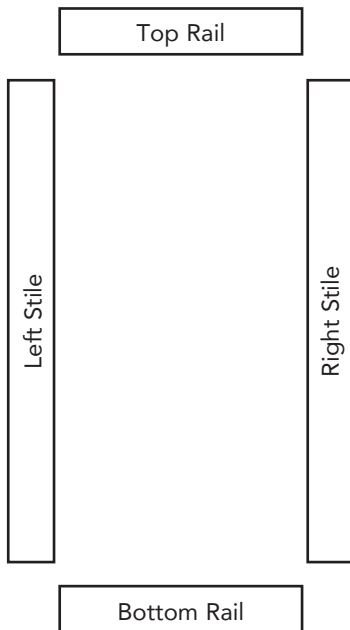
Rail and Stile Dimensions

Door Style	Rail Width	Stile Width
REMINGTON	3"	3"
LATITUDE	3/4"	3/4"

We offer framed wall cabinets in a range of sizes. The cabinet doors are routed to accommodate glass inserts, and the interior finish matches the exterior for a cohesive look. Please refer to each wall cabinet model to determine whether the glass door cabinet option is available.

Note: these glass door cabinets do not include mullions.

Glass Prep Specifications



For ordering replacement glass or an alternative glass pattern, use the following formula to estimate the correct insert size for your door.

Height Configuration:

Door Height* - (2 x Door Style Rail Width) + 1

Example: 11" - (2 x 3") + 1" = 6"

Estimated Glass Cutout Height: 6"

Width Configuration:

Door Width* - (2 x Door Style Stile Width) + 1

Example: 14-3/4" - (2 x 3") + 1" = 9-3/4"

Estimated Glass Cutout Width: 9-3/4"

Door Style	Rail Width	Stile Width	Rail Routed Ledge Width	Stile Routed Ledge Width
REMINGTON	3"	3"	1/2"	1/2"

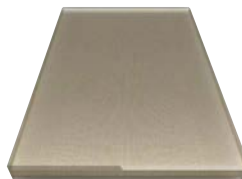
* The door height and width can be found in the Dimensions section of the wall cabinet model table.

DISCLAIMER: This formula is intended as an estimation tool only. We recommend taking physical measurements before ordering your inserts. We cannot guarantee the exact dimensions calculated using the provided formula.

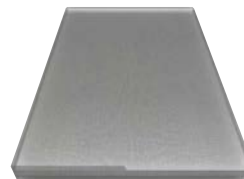
Glass Patterns



C Clear Glass



GP Golden Sparkling Glass Pattern



SP Silver Sparkling Glass Pattern

*Actual product color may vary slightly.

When ordering a cabinet, check the Cabinet Availability chart on page 5 to see what options are available for the cabinet you want to order. Then, follow the format below for writing out your cabinet model number.

SMW3012GD-RTA-FR01-WH-C

1 2 3 4 5 *6

1. Cabinet Type & Size
2. Assembly Type
3. Structure
4. Door Style
5. Color
- *6. Glass Pattern

	Available Option(s)	Code
Cabinet Type & Size	Cabinet Being Ordered	Cabinet Type Model No.
Assembly Type	Assembled	ASM
	Ready to Assemble	RTA
Structure	Framed	FR
Door Style	Remington	01
	Latitude	02
Color	Tan Wood	TW
	White	WH
	Smokey Grey	SG
	Light Grey	LG
	Navy Blue	NB
	Green	GR
*Glass Pattern	Clear	C
	Golden Sparkling Pattern	GP
	Silver Sparkling Pattern	SP

*Glass Pattern only available for select wall cabinets where the glass door cabinet option is available.

Example: How to order a Ready to Assemble 12" high wall cabinet with glass doors, that is framed, has the Remington door style, is white, and has clear glass.

	Option(s) Chosen	Code
Cabinet Type & Size	12" High Wall Cabinet with Glass Doors	SMW3012GD
Assembly Type	Ready to Assemble	RTA
Structure	Framed	FR
Door Style	Remington	01
Color	White	WH
Glass Pattern	Clear	C

Order model number: **SMW3012GD-RTA-FR01-WH-C**

NOTE: When ordering certain Specialty Wall Cabinets or Accessories, Assembly Type, Structure, Door Style, and/or Color may not apply, so leave them out of the model number. (See each model number given to know whether or not they are included in the model number.)

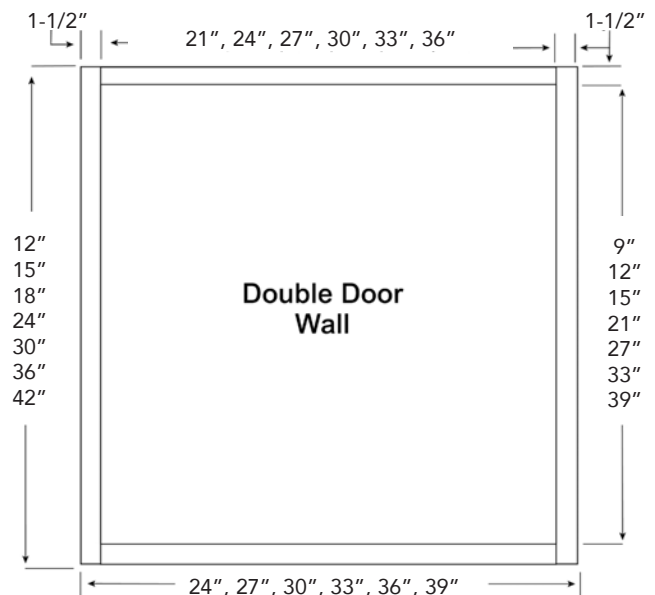
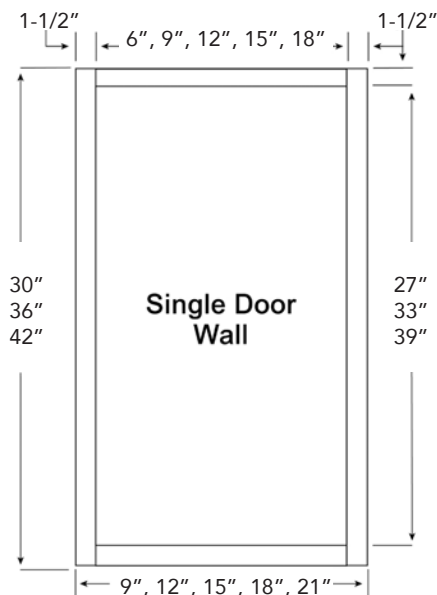
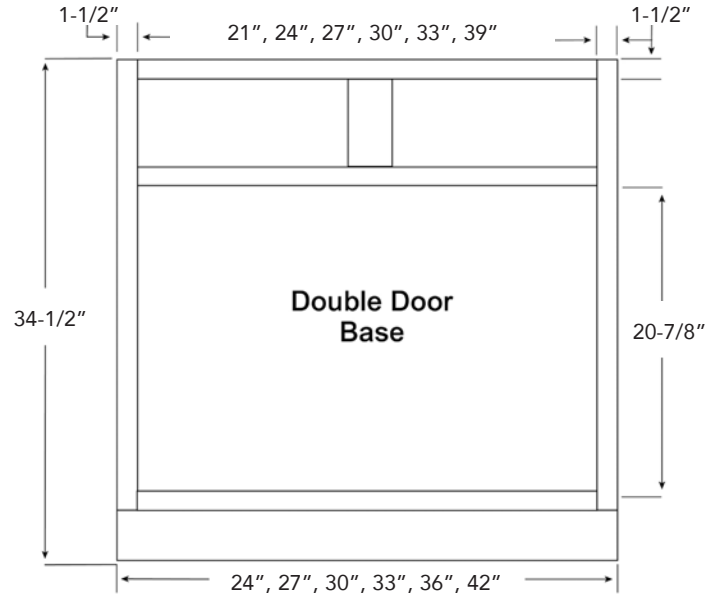
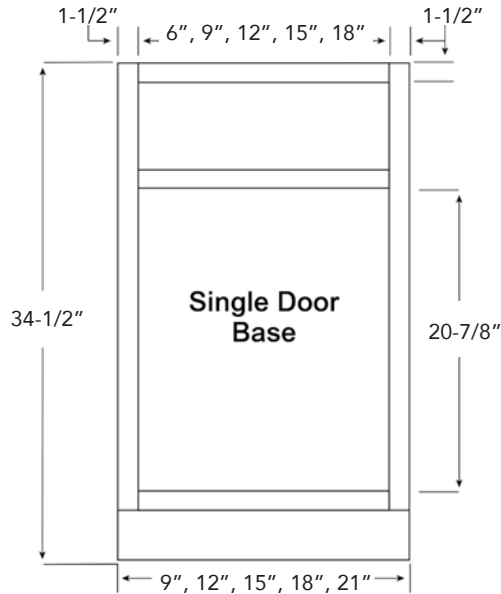
Examples for Ordering:

- Diagonal corner sink base cabinet floor: SMSBF4242
- White traditional corbel: SMCBT-WH
- Green slim shaker sample door: SMSAMPLEDOOR-FR02-GR

Cabinet Frame & Opening Dimensions

- Cabinet frame width is 1-1/2"
- Height of all 34-1/2" base cabinet openings is 20-7/8"
- Cabinet Size - 3" = Cabinet Opening Width

*Example SMB12: 12" - 3" = 9"





Remington White

Remington White



SAMUEL
MÜLLER

CABINETS

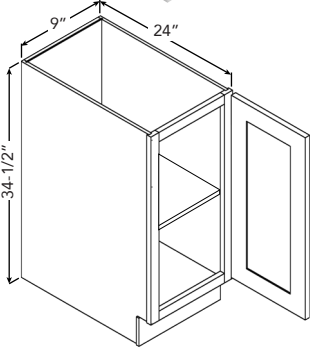
With a wide selection of base cabinets, wall cabinets and tall cabinets, you can transform your kitchen into a haven of style and functionality. Our diverse array of cabinets provide you with everything you need to create a well-organized kitchen that enables you to maximize your storage space. Specialty cabinets allow you to tailor your kitchen to your specific needs.

Design your perfect kitchen with the Samuel Müller kitchen cabinets. Made from premium plywood, our expertly crafted cabinets are designed to offer versatility, durability, and timeless appeal. Whether you're designing a new kitchen or remodeling an existing space, these cabinets offer a comprehensive range of options to suit every style and requirement, ensuring a kitchen that is as beautiful as it is practical.

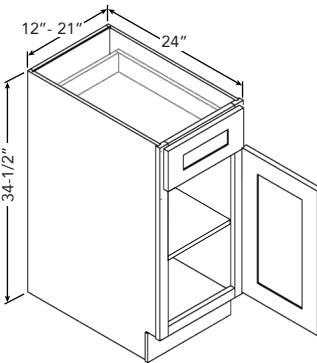
CABINETS
new and existing construction

CABINETS

FRAMED CABINETS Tray Base & Single Drawer Base Cabinets



When ordering SMBT9 assembled cabinets, indicate "L" or "R" after the cabinet type for left-hand or right-hand door opening. Example: SMBT9**L**-ASM-FR01-WH.



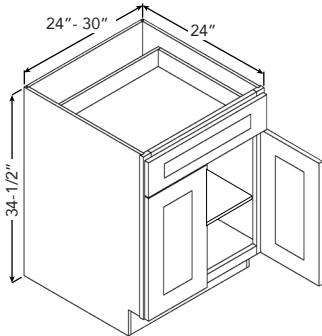
Tray Base Cabinet

Assembled		Ready to Assemble		Dimensions	Width	Height	Depth
Model No.	Model No.						
REMINGTON							
SMBT9-ASM-FR01-	SMBT9-RTA-FR01-	Cabinet		9"	34-1/2"	24"	
		Door		8-1/2"	29"	3/4"	
LATITUDE							
SMBT9-ASM-FR02-	SMBT9-RTA-FR02-	Cabinet		9"	34-1/2"	24"	
		Door		8-1/2"	29"	3/4"	

Single Door Single Drawer Base Cabinets

Assembled		Ready to Assemble		Dimensions	Width	Height	Depth
Model No.	Model No.						
REMINGTON							
SMB12-ASM-FR01-	SMB12-RTA-FR01-	Cabinet		12"	34-1/2"	24"	
		Door		11-1/2"	22-1/2"	3/4"	
		Drawer Front		11-1/2"	6-1/4"	3/4"	
		Drawer Box		8-1/4"	3-3/8"	21"	
SMB15-ASM-FR01-	SMB15-RTA-FR01-	Cabinet		15"	34-1/2"	24"	
		Door		14-1/2"	22-1/2"	3/4"	
		Drawer Front		14-1/2"	6-1/4"	3/4"	
		Drawer Box		11-1/4"	3-3/8"	21"	
SMB18-ASM-FR01-	SMB18-RTA-FR01-	Cabinet		18"	34-1/2"	24"	
		Door		17-1/2"	22-1/2"	3/4"	
		Drawer Front		17-1/2"	6-1/4"	3/4"	
		Drawer Box		14-1/4"	3-3/8"	21"	
SMB21-ASM-FR01-	SMB21-RTA-FR01-	Cabinet		21"	34-1/2"	24"	
		Door		20-1/2"	22-1/2"	3/4"	
		Drawer Front		20-1/2"	6-1/4"	3/4"	
		Drawer Box		17-1/4"	3-3/8"	21"	
LATITUDE							
SMB12-ASM-FR02-	SMB12-RTA-FR02-	Cabinet		12"	34-1/2"	24"	
		Door		11-1/2"	22-1/2"	3/4"	
		Drawer Front		11-1/2"	6-1/4"	3/4"	
		Drawer Box		8-1/4"	3-3/8"	21"	
SMB15-ASM-FR02-	SMB15-RTA-FR02-	Cabinet		15"	34-1/2"	24"	
		Door		14-1/2"	22-1/2"	3/4"	
		Drawer Front		14-1/2"	6-1/4"	3/4"	
		Drawer Box		11-1/4"	3-3/8"	21"	
SMB18-ASM-FR02-	SMB18-RTA-FR02-	Cabinet		18"	34-1/2"	24"	
		Door		17-1/2"	22-1/2"	3/4"	
		Drawer Front		17-1/2"	6-1/4"	3/4"	
		Drawer Box		14-1/4"	3-3/8"	21"	
SMB21-ASM-FR02-	SMB21-RTA-FR02-	Cabinet		21"	34-1/2"	24"	
		Door		20-1/2"	22-1/2"	3/4"	
		Drawer Front		20-1/2"	6-1/4"	3/4"	
		Drawer Box		17-1/4"	3-3/8"	21"	

When ordering SMB12, SMB15, SMB18, and SMB21 assembled cabinets, indicate "L" or "R" after the cabinet type for left-hand or right-hand door opening. Example: SMB12**L**-ASM-FR01-WH.

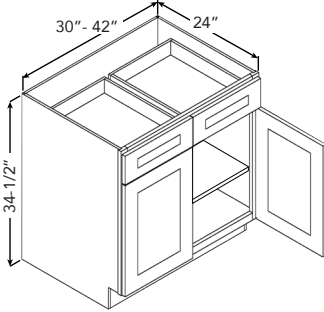


Double Door Single Drawer Base Cabinets

Assembled	Ready to Assemble	Dimensions	Width	Height	Depth
Model No.	Model No.				
REMINGTON					
SMB24-ASM-FR01-	SMB24-RTA-FR01-	Cabinet	24"	34-1/2"	24"
		Door	11-3/4"	22-1/2"	3/4"
		Drawer Front	23-1/2"	6-1/4"	3/4"
		Drawer Box	20-1/4"	3-3/8"	21"
SMB27-ASM-FR01-	SMB27-RTA-FR01-	Cabinet	27"	34-1/2"	24"
		Door	13-1/4"	22-1/2"	3/4"
		Drawer Front	26-1/2"	6-1/4"	3/4"
		Drawer Box	23-1/4"	3-3/8"	21"
SMB305-ASM-FR01-	SMB305-RTA-FR01-	Cabinet	30"	34-1/2"	24"
		Door	14-3/4"	22-1/2"	3/4"
		Drawer Front	29-1/2"	6-1/4"	3/4"
		Drawer Box	26-1/4"	3-3/8"	21"
LATITUDE					
SMB24-ASM-FR02-	SMB24-RTA-FR02-	Cabinet	24"	34-1/2"	24"
		Door	11-3/4"	22-1/2"	3/4"
		Drawer Front	23-1/2"	6-1/4"	3/4"
		Drawer Box	20-1/4"	3-3/8"	21"
SMB27-ASM-FR02-	SMB27-RTA-FR02-	Cabinet	27"	34-1/2"	24"
		Door	13-1/4"	22-1/2"	3/4"
		Drawer Front	26-1/2"	6-1/4"	3/4"
		Drawer Box	23-1/4"	3-3/8"	21"
SMB305-ASM-FR02-	SMB305-RTA-FR02-	Cabinet	30"	34-1/2"	24"
		Door	14-3/4"	22-1/2"	3/4"
		Drawer Front	29-1/2"	6-1/4"	3/4"
		Drawer Box	26-1/4"	3-3/8"	21"

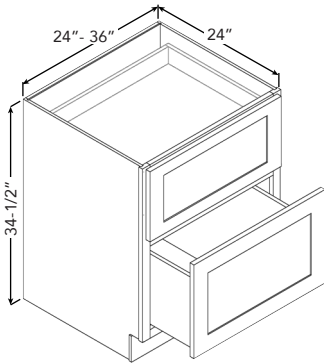
CABINETS

FRAMED CABINETS Double Drawer Base Cabinets



Double Door Double Drawer Base Cabinets

Assembled	Ready to Assemble	Dimensions	Width	Height	Depth
Model No.	Model No.				
REMINGTON					
SMB30-ASM-FR01-	SMB30-RTA-FR01-	Cabinet	30"	34-1/2"	24"
		Door	14-3/4"	22-1/2"	3/4"
		Drawer Front	14-3/4"	6-1/4"	3/4"
		Drawer Box	12"	3-3/8"	21"
SMB33-ASM-FR01-	SMB33-RTA-FR01-	Cabinet	33"	34-1/2"	24"
		Door	16-1/4"	22-1/2"	3/4"
		Drawer Front	16-1/4"	6-1/4"	3/4"
		Drawer Box	13-1/2"	3-3/8"	21"
SMB36-ASM-FR01-	SMB36-RTA-FR01-	Cabinet	36"	34-1/2"	24"
		Door	17-3/4"	22-1/2"	3/4"
		Drawer Front	17-3/4"	6-1/4"	3/4"
		Drawer Box	15"	3-3/8"	21"
SMB42-ASM-FR01-	SMB42-RTA-FR01-	Cabinet	42"	34-1/2"	24"
		Door	20-3/4"	22-1/2"	3/4"
		Drawer Front	20-3/4"	6-1/4"	3/4"
		Drawer Box	18"	3-3/8"	21"
LATITUDE					
SMB30-ASM-FR02-	SMB30-RTA-FR02-	Cabinet	30"	34-1/2"	24"
		Door	14-3/4"	22-1/2"	3/4"
		Drawer Front	14-3/4"	6-1/4"	3/4"
		Drawer Box	12"	3-3/8"	21"
SMB33-ASM-FR02-	SMB33-RTA-FR02-	Cabinet	33"	34-1/2"	24"
		Door	16-1/4"	22-1/2"	3/4"
		Drawer Front	16-1/4"	6-1/4"	3/4"
		Drawer Box	13-1/2"	3-3/8"	21"
SMB36-ASM-FR02-	SMB36-RTA-FR02-	Cabinet	36"	34-1/2"	24"
		Door	17-3/4"	22-1/2"	3/4"
		Drawer Front	17-3/4"	6-1/4"	3/4"
		Drawer Box	15"	3-3/8"	21"
SMB42-ASM-FR02-	SMB42-RTA-FR02-	Cabinet	42"	34-1/2"	24"
		Door	20-3/4"	22-1/2"	3/4"
		Drawer Front	20-3/4"	6-1/4"	3/4"
		Drawer Box	18"	3-3/8"	21"



Two Drawer Base Cabinets

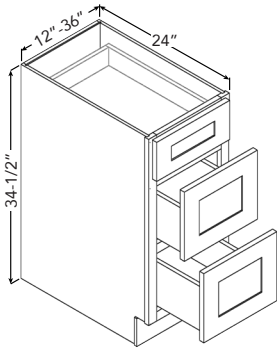
Assembled	Ready to Assemble	Dimensions	Width	Height	Depth
Model No.	Model No.				
REMINGTON					
SM2DB24-ASM-FR01-	SM2DB24-RTA-FR01-	Cabinet	24"	34-1/2"	24"
		Drawer Front	23-1/2"	14-3/8"	3/4"
		Drawer Box	20-1/4"	8-1/4"	21"
SM2DB30-ASM-FR01-	SM2DB30-RTA-FR01-	Cabinet	30"	34-1/2"	24"
		Drawer Front	29-1/2"	14-3/8"	3/4"
		Drawer Box	26-1/4"	8-1/4"	21"
SM2DB36-ASM-FR01-	SM2DB36-RTA-FR01-	Cabinet	36"	34-1/2"	24"
		Drawer Front	35-1/2"	14-3/8"	3/4"
		Drawer Box	32-1/4"	8-1/4"	21"
LATITUDE					
SM2DB24-ASM-FR02-	SM2DB24-RTA-FR02-	Cabinet	24"	34-1/2"	24"
		Drawer Front	23-1/2"	14-3/8"	3/4"
		Drawer Box	20-1/4"	8-1/4"	21"
SM2DB30-ASM-FR02-	SM2DB30-RTA-FR02-	Cabinet	30"	34-1/2"	24"
		Drawer Front	29-1/2"	14-3/8"	3/4"
		Drawer Box	26-1/4"	8-1/4"	21"
SM2DB36-ASM-FR02-	SM2DB36-RTA-FR02-	Cabinet	36"	34-1/2"	24"
		Drawer Front	35-1/2"	14-3/8"	3/4"
		Drawer Box	32-1/4"	8-1/4"	21"

CABINETS

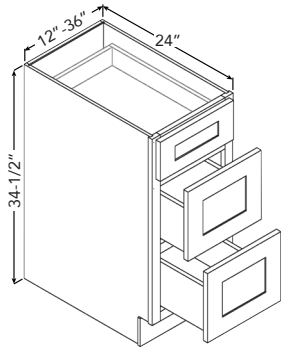
FRAMED CABINETS Three Drawer Base Cabinets



Three Drawer Base Cabinets



Assembled		Ready to Assemble		Dimensions	Width	Height	Depth
Model No.	Model No.	Model No.	Model No.				
REMINGTON							
SM3DB12-ASM-FR01-	SM3DB12-RTA-FR01-	Cabinet	12"	34-1/2"	24"		
		Top Drawer Front	11-1/2"	6-1/4"	3/4"		
		Bottom Drawer Front	11-1/2"	11-1/8"	3/4"		
		Top Drawer Box	8-1/4"	3-3/8"	21"		
		Bottom Drawer Box	8-1/4"	8-1/4"	21"		
SM3DB15-ASM-FR01-	SM3DB15-RTA-FR01-	Cabinet	15"	34-1/2"	24"		
		Top Drawer Front	14-1/2"	6-1/4"	3/4"		
		Bottom Drawer Front	14-1/2"	11-1/8"	3/4"		
		Top Drawer Box	11-1/4"	3-3/8"	21"		
		Bottom Drawer Box	11-1/4"	8-1/4"	21"		
SM3DB18-ASM-FR01-	SM3DB18-RTA-FR01-	Cabinet	18"	34-1/2"	24"		
		Top Drawer Front	17-1/2"	6-1/4"	3/4"		
		Bottom Drawer Front	17-1/2"	11-1/8"	3/4"		
		Top Drawer Box	14-1/4"	3-3/8"	21"		
		Bottom Drawer Box	14-1/4"	8-1/4"	21"		
SM3DB21-ASM-FR01-	SM3DB21-RTA-FR01-	Cabinet	21"	34-1/2"	24"		
		Top Drawer Front	20-1/2"	6-1/4"	3/4"		
		Bottom Drawer Front	20-1/2"	11-1/8"	3/4"		
		Top Drawer Box	17-1/4"	3-3/8"	21"		
		Bottom Drawer Box	17-1/4"	8-1/4"	21"		
SM3DB24-ASM-FR01-	SM3DB24-RTA-FR01-	Cabinet	24"	34-1/2"	24"		
		Top Drawer Front	23-1/2"	6-1/4"	3/4"		
		Bottom Drawer Front	23-1/2"	11-1/8"	3/4"		
		Top Drawer Box	20-1/4"	3-3/8"	21"		
		Bottom Drawer Box	20-1/4"	8-1/4"	21"		
SM3DB30-ASM-FR01-	SM3DB30-RTA-FR01-	Cabinet	30"	34-1/2"	24"		
		Top Drawer Front	29-1/2"	6-1/4"	3/4"		
		Bottom Drawer Front	29-1/2"	11-1/8"	3/4"		
		Top Drawer Box	26-1/4"	3-3/8"	21"		
		Bottom Drawer Box	26-1/4"	8-1/4"	21"		
SM3DB36-ASM-FR01-	SM3DB36-RTA-FR01-	Cabinet	36"	34-1/2"	24"		
		Top Drawer Front	35-1/2"	6-1/4"	3/4"		
		Bottom Drawer Front	35-1/2"	11-1/8"	3/4"		
		Top Drawer Box	32-1/4"	3-3/8"	21"		
		Bottom Drawer Box	32-1/4"	8-1/4"	21"		

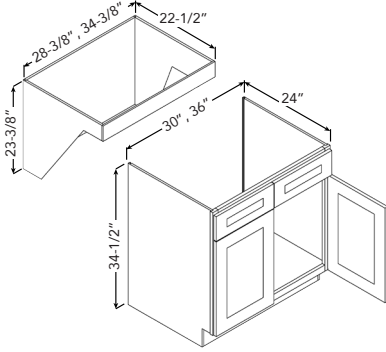


Three Drawer Base Cabinets

Assembled	Ready to Assemble	Dimensions	Width	Height	Depth
Model No.	Model No.				
LATITUDE					
SM3DB12-ASM-FR02-	SM3DB12-RTA-FR02-	Cabinet	12"	34-1/2"	24"
		Top Drawer Front	11-1/2"	6-1/4"	3/4"
		Bottom Drawer Front	11-1/2"	11-1/8"	3/4"
		Top Drawer Box	8-1/4"	3-3/8"	21"
		Bottom Drawer Box	8-1/4"	8-1/4"	21"
SM3DB15-ASM-FR02-	SM3DB15-RTA-FR02-	Cabinet	15"	34-1/2"	24"
		Top Drawer Front	14-1/2"	6-1/4"	3/4"
		Bottom Drawer Front	14-1/2"	11-1/8"	3/4"
		Top Drawer Box	11-1/4"	3-3/8"	21"
		Bottom Drawer Box	11-1/4"	8-1/4"	21"
SM3DB18-ASM-FR02-	SM3DB18-RTA-FR02-	Cabinet	18"	34-1/2"	24"
		Top Drawer Front	17-1/2"	6-1/4"	3/4"
		Bottom Drawer Front	17-1/2"	11-1/8"	3/4"
		Top Drawer Box	14-1/4"	3-3/8"	21"
		Bottom Drawer Box	14-1/4"	8-1/4"	21"
SM3DB21-ASM-FR02-	SM3DB21-RTA-FR02-	Cabinet	21"	34-1/2"	24"
		Top Drawer Front	20-1/2"	6-1/4"	3/4"
		Bottom Drawer Front	20-1/2"	11-1/8"	3/4"
		Top Drawer Box	17-1/4"	3-3/8"	21"
		Bottom Drawer Box	17-1/4"	8-1/4"	21"
SM3DB24-ASM-FR02-	SM3DB24-RTA-FR02-	Cabinet	24"	34-1/2"	24"
		Top Drawer Front	23-1/2"	6-1/4"	3/4"
		Bottom Drawer Front	23-1/2"	11-1/8"	3/4"
		Top Drawer Box	20-1/4"	3-3/8"	21"
		Bottom Drawer Box	20-1/4"	8-1/4"	21"
SM3DB30-ASM-FR02-	SM3DB30-RTA-FR02-	Cabinet	30"	34-1/2"	24"
		Top Drawer Front	29-1/2"	6-1/4"	3/4"
		Bottom Drawer Front	29-1/2"	11-1/8"	3/4"
		Top Drawer Box	26-1/4"	3-3/8"	21"
		Bottom Drawer Box	26-1/4"	8-1/4"	21"
SM3DB36-ASM-FR02-	SM3DB36-RTA-FR02-	Cabinet	36"	34-1/2"	24"
		Top Drawer Front	35-1/2"	6-1/4"	3/4"
		Bottom Drawer Front	35-1/2"	11-1/8"	3/4"
		Top Drawer Box	32-1/4"	3-3/8"	21"
		Bottom Drawer Box	32-1/4"	8-1/4"	21"

CABINETS

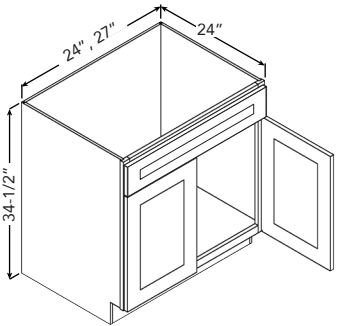
FRAMED CABINETS ADA Sink Base & Sink Base Cabinets



*Has removable front.

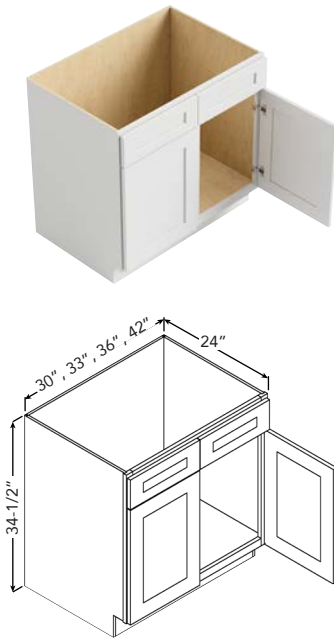
ADA Sink Base Cabinet - Double Door Double Drawer Front

Assembled		Ready to Assemble		Dimensions	Width	Height	Depth
Model No.		Model No.					
REMINGTON							
SMSB30-ADA-ASM-FR01-		SMSB30-ADA-RTA-FR01-		Cabinet	30"	34-1/2"	24"
				Door	14-3/4"	22-1/2"	3/4"
				Drawer Front	14-3/4"	6-1/4"	3/4"
SMSB36-ADA-ASM-FR01-		SMSB36-ADA-RTA-FR01-		Cabinet	36"	34-1/2"	24"
				Door	17-3/4"	22-1/2"	3/4"
				Drawer Front	17-3/4"	6-1/4"	3/4"
LATITUDE							
SMSB30-ADA-ASM-FR02-		SMSB30-ADA-RTA-FR02-		Cabinet	30"	34-1/2"	24"
				Door	14-3/4"	22-1/2"	3/4"
				Drawer Front	14-3/4"	6-1/4"	3/4"
SMSB36-ADA-ASM-FR02-		SMSB36-ADA-RTA-FR02-		Cabinet	36"	34-1/2"	24"
				Door	17-3/4"	22-1/2"	3/4"
				Drawer Front	17-3/4"	6-1/4"	3/4"



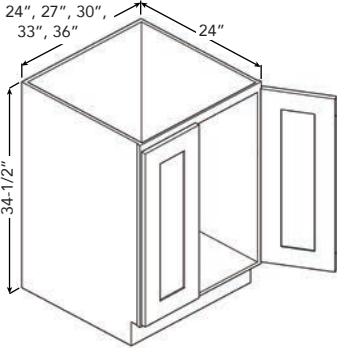
Sink Base Cabinets - Double Door Single Drawer Front

Assembled		Ready to Assemble		Dimensions	Width	Height	Depth
Model No.		Model No.					
REMINGTON							
SMSB24-ASM-FR01-		SMSB24-RTA-FR01-		Cabinet	24"	34-1/2"	24"
				Door	11-3/4"	22-1/2"	3/4"
				Drawer Front	23-1/2"	6-1/4"	3/4"
SMSB27-ASM-FR01-		SMSB27-RTA-FR01-		Cabinet	27"	34-1/2"	24"
				Door	13-3/4"	22-1/2"	3/4"
				Drawer Front	26-1/2"	6-1/4"	3/4"
LATITUDE							
SMSB24-ASM-FR02-		SMSB24-RTA-FR02-		Cabinet	24"	34-1/2"	24"
				Door	11-3/4"	22-1/2"	3/4"
				Drawer Front	23-1/2"	6-1/4"	3/4"
SMSB27-ASM-FR02-		SMSB27-RTA-FR02-		Cabinet	27"	34-1/2"	24"
				Door	13-3/4"	22-1/2"	3/4"
				Drawer Front	26-1/2"	6-1/4"	3/4"



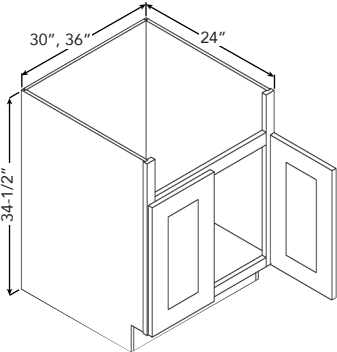
Sink Base Cabinets - Double Door Double Drawer Front

Assembled	Ready to Assemble	Dimensions	Width	Height	Depth
Model No.	Model No.				
REMINGTON					
SMSB30-ASM-FR01-	SMSB30-RTA-FR01-	Cabinet	30"	34-1/2"	24"
		Door	14-3/4"	22-1/2"	3/4"
		Drawer Front	14-3/4"	6-1/4"	3/4"
SMSB33-ASM-FR01-	SMSB33-RTA-FR01-	Cabinet	33"	34-1/2"	24"
		Door	16-1/4"	22-1/2"	3/4"
		Drawer Front	16-1/4"	6-1/4"	3/4"
SMSB36-ASM-FR01-	SMSB36-RTA-FR01-	Cabinet	36"	34-1/2"	24"
		Door	17-3/4"	22-1/2"	3/4"
		Drawer Front	17-3/4"	6-1/4"	3/4"
SMSB42-ASM-FR01-	SMSB42-RTA-FR01-	Cabinet	42"	34-1/2"	24"
		Door	20-3/4"	22-1/2"	3/4"
		Drawer Front	20-3/4"	6-1/4"	3/4"
LATITUDE					
SMSB30-ASM-FR02-	SMSB30-RTA-FR02-	Cabinet	30"	34-1/2"	24"
		Door	14-3/4"	22-1/2"	3/4"
		Drawer Front	14-3/4"	6-1/4"	3/4"
SMSB33-ASM-FR02-	SMSB33-RTA-FR02-	Cabinet	33"	34-1/2"	24"
		Door	16-1/4"	22-1/2"	3/4"
		Drawer Front	16-1/4"	6-1/4"	3/4"
SMSB36-ASM-FR02-	SMSB36-RTA-FR02-	Cabinet	36"	34-1/2"	24"
		Door	17-3/4"	22-1/2"	3/4"
		Drawer Front	17-3/4"	6-1/4"	3/4"
SMSB42-ASM-FR02-	SMSB42-RTA-FR02-	Cabinet	42"	34-1/2"	24"
		Door	20-3/4"	22-1/2"	3/4"
		Drawer Front	20-3/4"	6-1/4"	3/4"



Sink Base Cabinet - Double Door NEW!

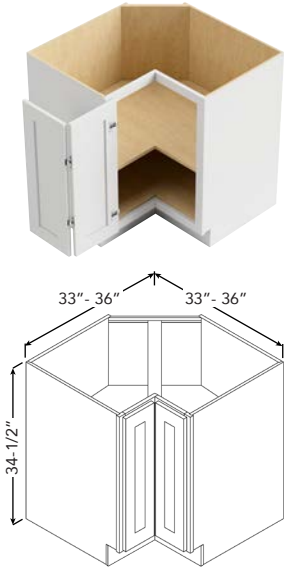
Assembled		Ready to Assemble		Dimensions	Width	Height	Depth
Model No.	Model No.						
REMINGTON							
SMSBD24-ASM-FR01-	SMSBD24-RTA-FR01-	Cabinet	24"	34-1/2"	24"		
		Door	11-3/4"	29"	3/4"		
SMSBD27-ASM-FR01-	SMSBD27-RTA-FR01-	Cabinet	27"	34-1/2"	24"		
		Door	13-1/4"	29"	3/4"		
SMSBD30-ASM-FR01-	SMSBD30-RTA-FR01-	Cabinet	30"	34-1/2"	24"		
		Door	14-3/4"	29"	3/4"		
SMSBD33-ASM-FR01-	SMSBD33-RTA-FR01-	Cabinet	33"	34-1/2"	24"		
		Door	16-1/4"	29"	3/4"		
SMSBD36-ASM-FR01-	SMSBD36-RTA-FR01-	Cabinet	36"	34-1/2"	24"		
		Door	17-3/4"	29"	3/4"		
LATITUDE							
SMSBD24-ASM-FR02-	SMSBD24-RTA-FR02-	Cabinet	24"	34-1/2"	24"		
		Door	11-3/4"	29"	3/4"		
SMSBD27-ASM-FR02-	SMSBD27-RTA-FR02-	Cabinet	27"	34-1/2"	24"		
		Door	13-1/4"	29"	3/4"		
SMSBD30-ASM-FR02-	SMSBD30-RTA-FR02-	Cabinet	30"	34-1/2"	24"		
		Door	14-3/4"	29"	3/4"		
SMSBD33-ASM-FR02-	SMSBD33-RTA-FR02-	Cabinet	33"	34-1/2"	24"		
		Door	16-1/4"	29"	3/4"		
SMSBD36-ASM-FR02-	SMSBD36-RTA-FR02-	Cabinet	36"	34-1/2"	24"		
		Door	17-3/4"	29"	3/4"		



Sink Base Cabinets - Farm Sink

Assembled		Ready to Assemble		Dimensions	Width	Height	Depth
Model No.	Model No.						
REMINGTON							
SMFSB30-ASM-FR01-	SMFSB30-RTA-FR01-	Cabinet	30"	34-1/2"	24"		
		Sink Cutout	27"	7"	-		
		Door	14-3/4"	19"	3/4"		
SMFSB36-ASM-FR01-	SMFSB36-RTA-FR01-	Cabinet	36"	34-1/2"	24"		
		Sink Cutout	33"	7"	-		
		Door	17-3/4"	19"	3/4"		
LATITUDE							
SMFSB30-ASM-FR02-	SMFSB30-RTA-FR02-	Cabinet	30"	34-1/2"	24"		
		Sink Cutout	27"	7"	-		
		Door	14-3/4"	19"	3/4"		
SMFSB36-ASM-FR02-	SMFSB36-RTA-FR02-	Cabinet	36"	34-1/2"	24"		
		Sink Cutout	33"	7"	-		
		Door	17-3/4"	19"	3/4"		

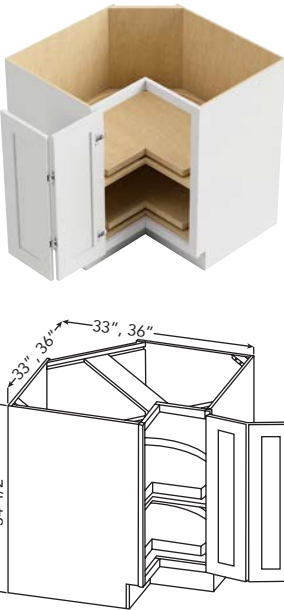
SMFSB30-ASM and SMFSB30-RTA fit up to a 27" W x 10" H farm sink.
 SMFSB36-ASM and SMFSB36-RTA fit up to a 33" W x 10" H farm sink.



Easy Reach Base Cabinets

Assembled		Ready to Assemble		Dimensions	Width	Height	Depth
Model No.	Model No.	Model No.	Model No.				
REMINGTON							
SMBER33-ASM-FR01-	SMBER33-RTA-FR01-	Cabinet		33"	34-1/2"	33"	
		Door		7-5/8"	29"	3/4"	
SMBER36-ASM-FR01-	SMBER36-RTA-FR01-	Cabinet		36"	34-1/2"	36"	
		Door		10-5/8"	29"	3/4"	
LATITUDE							
SMBER33-ASM-FR02-	SMBER33-RTA-FR02-	Cabinet		33"	34-1/2"	33"	
		Door		7-5/8"	29"	3/4"	
SMBER36-ASM-FR02-	SMBER36-RTA-FR02-	Cabinet		36"	34-1/2"	36"	
		Door		10-5/8"	29"	3/4"	

When ordering SMBER33 and SMBER36 assembled cabinets, indicate "L" or "R" after the cabinet type for left-hand or right-hand door opening. Example: SMBER33L-ASM-FR01-WH.



Lazy Susan Easy Reach Base Cabinets

Assembled		Ready to Assemble		Dimensions	Width	Height	Depth
Model No.	Model No.	Model No.	Model No.				
REMINGTON							
SMLS33-ASM-FR01-	SMLS33-RTA-FR01-	Cabinet		33"	34-1/2"	33"	
		Door		7-5/8"	29"	3/4"	
		Tray		26-3/4"	1-13/16"	26-3/4"	
SMLS36-ASM-FR01-	SMLS36-RTA-FR01-	Cabinet		36"	34-1/2"	36"	
		Door		10-5/8"	29"	3/4"	
		Tray		26-3/4"	1-13/16"	26-3/4"	
LATITUDE							
SMLS33-ASM-FR02-	SMLS33-RTA-FR02-	Cabinet		33"	34-1/2"	33"	
		Door		7-5/8"	29"	3/4"	
		Tray		26-3/4"	1-13/16"	26-3/4"	
SMLS36-ASM-FR02-	SMLS36-RTA-FR02-	Cabinet		36"	34-1/2"	36"	
		Door		10-5/8"	29"	3/4"	
		Tray		26-3/4"	1-13/16"	26-3/4"	

SMLS33-ASM and SMLS33-RTA inside opening is 11-1/2" W and Wooden Lazy Susan Tray is 26-3/4" W. SMLS36-ASM and SMLS36-RTA inside opening is 15-1/2" W and Wooden Lazy Susan Tray is 26-3/4" W.

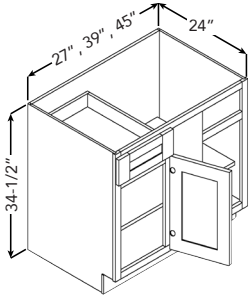
When ordering SMLS33 and SMLS36 assembled cabinets, indicate "L" or "R" after the cabinet type for left-hand or right-hand door opening. Example: SMLS33L-ASM-FR01-WH.

CABINETS

FRAMED CABINETS Blind Base Cabinets



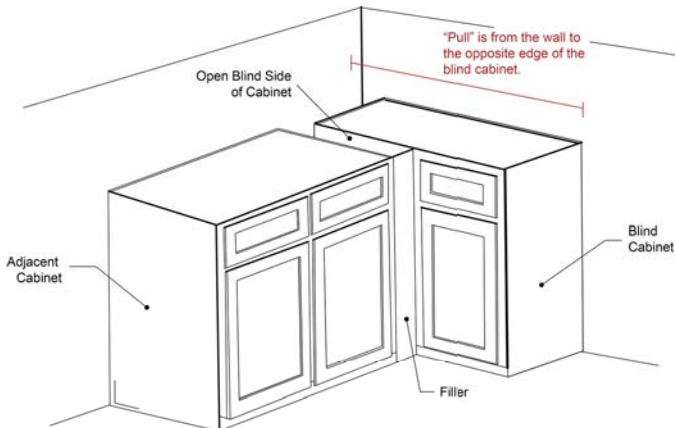
Left-hand blind cabinet shown.



Blind Base Cabinets

Assembled		Ready to Assemble		Dimensions	Width	Height	Depth
Model No.		Model No.					
REMINGTON							
SMBBC36-ASM-FR01-	SMBBC36-RTA-FR01-	Cabinet		27"	34-1/2"	24"	
		Door		9-13/16"	22-1/2"	3/4"	
		Door Opening		7-5/16"	20-1/2"	-	
		Drawer Front		9-13/16"	6-1/4"	3/4"	
		Drawer Box		6-9/16"	3-3/8"	21"	
SMBBC42-ASM-FR01-	SMBBC42-RTA-FR01-	Cabinet		39"	34-1/2"	24"	
		Door		15-13/16"	22-1/2"	3/4"	
		Door Opening		13-1/4"	20-1/2"	-	
		Drawer Front		15-13/16"	6-1/4"	3/4"	
		Drawer Box		12-1/2"	3-3/8"	21"	
SMBBC45-ASM-FR01-	SMBBC45-RTA-FR01-	Cabinet		45"	34-1/2"	24"	
		Door		18-13/16"	22-1/2"	3/4"	
		Door Opening		16-1/4"	20-1/2"	-	
		Drawer Front		18-13/16"	6-1/4"	3/4"	
		Drawer Box		15-1/2"	3-3/8"	21"	
LATITUDE							
SMBBC36-ASM-FR02-	SMBBC36-RTA-FR02-	Cabinet		27"	34-1/2"	24"	
		Door		9-13/16"	22-1/2"	3/4"	
		Door Opening		7-5/16"	20-1/2"	-	
		Drawer Front		9-13/16"	6-1/4"	3/4"	
		Drawer Box		6-9/16"	3-3/8"	21"	
SMBBC42-ASM-FR02-	SMBBC42-RTA-FR02-	Cabinet		39"	34-1/2"	24"	
		Door		15-13/16"	22-1/2"	3/4"	
		Door Opening		13-1/4"	20-1/2"	-	
		Drawer Front		15-13/16"	6-1/4"	3/4"	
		Drawer Box		12-1/2"	3-3/8"	21"	
SMBBC45-ASM-FR02-	SMBBC45-RTA-FR02-	Cabinet		45"	34-1/2"	24"	
		Door		18-13/16"	22-1/2"	3/4"	
		Door Opening		16-1/4"	20-1/2"	-	
		Drawer Front		18-13/16"	6-1/4"	3/4"	
		Drawer Box		15-1/2"	3-3/8"	21"	

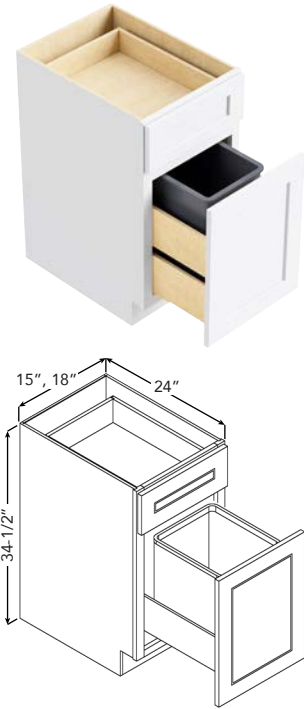
When ordering SMBBC36, SMBBC42, and SMBBC45 assembled cabinets, indicate "L" or "R" after the cabinet type for door and drawer attached on left-hand or right-hand side of cabinet. Example: SMBBC36L-ASM-FR01-WH.



Model No.	Box Size	Min Pull	Max Pull	Center Stile
SMBBC36-	27"	35"	42-3/16"	9-7/16"
SMBBC42-	39"	41-1/16"	48-1/4"	9-7/16"
SMBBC45-	45"	45"	51-1/4"	9-7/16"

*Must use Filler (not supplied).

**Accessory Base Cabinets - Single Door Single Drawer
Base Kit with Single Trash Can Pull-Out**

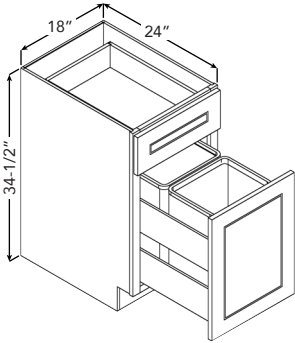


Assembled Model No.	Ready to Assemble Model No.	Dimensions	Width	Height	Depth
REMINGTON					
SMBWB15-ASM-FR01-	SMBWB15 -RTA-FR01-	Cabinet	15"	34-1/2"	24"
		Door	14-1/2"	22-1/2"	3/4"
		Drawer Front	14-1/2"	6-1/4"	3/4"
		Drawer Box	11-1/4"	3-3/8"	21"
		Pull-Out	11-1/4"	7"	21"
		Pull-Out Base Hole	8"	-	12"
SMBWB18-ASM-FR01-	SMBWB18 -RTA-FR01-	Cabinet	18"	34-1/2"	24"
		Door	17-1/2"	22-1/2"	3/4"
		Drawer Front	17-1/2"	6-1/4"	3/4"
		Drawer Box	14-1/4"	3-3/8"	21"
		Pull-Out	14-5/16"	13-3/4"	21"
		Pull-Out Base Hole	10-5/8"	-	15"
SMBWB15-ASM-FR02-	SMBWB15 -RTA-FR02-	Cabinet	15"	34-1/2"	24"
		Door	14-1/2"	22-1/2"	3/4"
		Drawer Front	14-1/2"	6-1/4"	3/4"
		Drawer Box	11-1/4"	3-3/8"	21"
		Pull-Out	11-1/4"	7"	21"
		Pull-Out Base Hole	8"	-	12"
SMBWB18-ASM-FR02-	SMBWB18 -RTA-FR02-	Cabinet	18"	34-1/2"	24"
		Door	17-1/2"	22-1/2"	3/4"
		Drawer Front	17-1/2"	6-1/4"	3/4"
		Drawer Box	14-1/4"	3-3/8"	21"
		Pull-Out	14-5/16"	13-3/4"	21"
		Pull-Out Base Hole	10-5/8"	-	15"
SMBWB15-ASM-FR01-	SMBWB15 -RTA-FR01-	Trash Can	7-5/8" (bottom)	16-3/8"	11-1/2"
		Trash Can	8-7/8" (bottom)	17-11/16"	10-3/8"

Full-extension slides with soft-close features (110 lbs weight capacity).
One trash can is included. Plastic trash can has 6.6 gallon capacity for 15" trash base cabinet and 9.25 gallon capacity for 18" trash base cabinet.

CABINETS

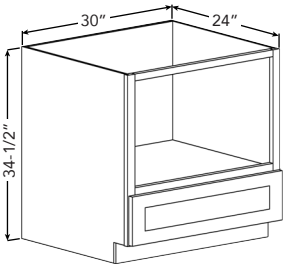
FRAMED CABINETS Accessory Base & Microwave Base Cabinets



Accessory Base Cabinets - Single Door Single Drawer Base Kit with Double Trash Can Pull-Out

Assembled		Ready to Assemble		Dimensions	Width	Height	Depth
Model No.	Model No.						
REMINGTON							
SMBWB18-D-ASM-FR01-	SMBWB18-DRTA-FR01-	Cabinet		18"	34-1/2"	24"	
		Door		17-1/2"	22-1/2"	3/4"	
		Drawer Front		17-1/2"	6-1/4"	3/4"	
		Drawer Box		14-1/4"	3-3/8"	21"	
		Pull-Out		14-5/16"	13-3/4"	21"	
		Pull-Out Base Hole		12-3/4"	-	8-3/4"	
		Trash Can		7-5/8" (bottom)	16-3/8"	11-1/2"	
LATITUDE							
SMBWB18-D-ASM-FR02-	SMBWB18-DRTA-FR02-	Cabinet		18"	34-1/2"	24"	
		Door		17-1/2"	22-1/2"	3/4"	
		Drawer Front		17-1/2"	6-1/4"	3/4"	
		Drawer Box		14-1/4"	3-3/8"	21"	
		Pull-Out		14-5/16"	13-3/4"	21"	
		Pull-Out Base Hole		12-3/4"	-	8-3/4"	
		Trash Can		7-5/8" (bottom)	16-3/8"	11-1/2"	

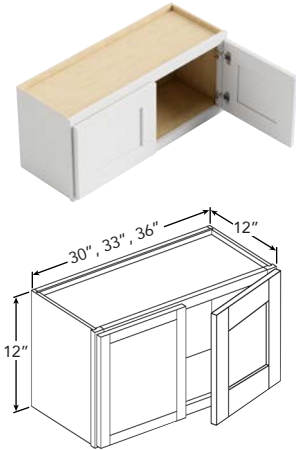
Full-extension slides with soft-close features (110 lbs weight capacity).
Two trash cans are included. Each plastic trash can has 6.6 gallon capacity.



Specialty Base Cabinet - Microwave Cabinet

Assembled		Ready to Assemble		Dimensions	Width	Height	Depth
Model No.	Model No.						
REMINGTON							
SMBMW30-ASM-FR01-	SMBMW30-RTA-FR01-	Cabinet		30"	34-1/2"	24"	
		Microwave Opening		27"	16-1/2"	22-3/4"	
		Drawer Front		29-1/2"	6-1/4"	3/4"	
		Drawer Box		26-1/4"	3-3/8"	21"	
LATITUDE							
SMBMW30-ASM-FR02-	SMBMW30-RTA-FR02-	Cabinet		30"	34-1/2"	24"	
		Microwave Opening		27"	16-1/2"	22-3/4"	
		Drawer Front		29-1/2"	6-1/4"	3/4"	
		Drawer Box		26-1/4"	3-3/8"	21"	

Microwave opening trimmable to 20-1/8"H.
Natural interior.



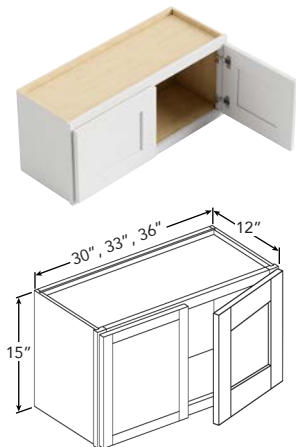
Glass Door Cabinets
Available 3rd Quarter 2026

12" High Wall Cabinets

Assembled	Ready to Assemble	Dimensions	Width	Height	Depth
Model No.	Model No.				
REMINGTON					
SMW3012-ASM-FR01-	SMW3012-RTA-FR01-	Cabinet	30"	12"	12"
		Door	14-3/4"	11"	3/4"
SMW3312-ASM-FR01-	SMW3312-RTA-FR01-	Cabinet	33"	12"	12"
		Door	16-1/4"	11"	3/4"
SMW3612-ASM-FR01-	SMW3612-RTA-FR01-	Cabinet	36"	12"	12"
		Door	17-3/4"	11"	3/4"
LATITUDE					
SMW3012-ASM-FR02-	SMW3012-RTA-FR02-	Cabinet	30"	12"	12"
		Door	14-3/4"	11"	3/4"
SMW3312-ASM-FR02-	SMW3312-RTA-FR02-	Cabinet	33"	12"	12"
		Door	16-1/4"	11"	3/4"
SMW3612-ASM-FR02-	SMW3612-RTA-FR02-	Cabinet	36"	12"	12"
		Door	17-3/4"	11"	3/4"

Inner shelf NOT included.

Note: Only available in Remington. Glass pattern codes are found on page 7.
When ordering glass door cabinets, add "GD" after the cabinet type and the glass pattern code at the end of the model number. Example: SMW3012GD-RTA-FR01-WH-C



Glass Door Cabinets
Available 3rd Quarter 2026

15" High Wall Cabinets

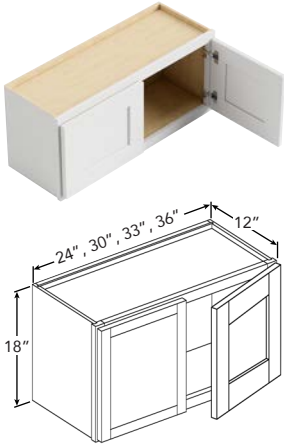
Assembled	Ready to Assemble	Dimensions	Width	Height	Depth
Model No.	Model No.				
REMINGTON					
SMW3015-ASM-FR01-	SMW3015-RTA-FR01-	Cabinet	30"	15"	12"
		Door	14-3/4"	14"	3/4"
SMW3315-ASM-FR01-	SMW3315-RTA-FR01-	Cabinet	33"	15"	12"
		Door	16-1/4"	14"	3/4"
SMW3615-ASM-FR01-	SMW3615-RTA-FR01-	Cabinet	36"	15"	12"
		Door	17-3/4"	14"	3/4"
LATITUDE					
SMW3015-ASM-FR02-	SMW3015-RTA-FR02-	Cabinet	30"	15"	12"
		Door	14-3/4"	14"	3/4"
SMW3315-ASM-FR02-	SMW3315-RTA-FR02-	Cabinet	33"	15"	12"
		Door	16-1/4"	14"	3/4"
SMW3615-ASM-FR02-	SMW3615-RTA-FR02-	Cabinet	36"	15"	12"
		Door	17-3/4"	14"	3/4"

Inner shelf NOT included.

Note: Only available in Remington. Glass pattern codes are found on page 7.
When ordering glass door cabinets, add "GD" after the cabinet type and the glass pattern code at the end of the model number. Example: SMW3015GD-RTA-FR01-WH-C

CABINETS

FRAMED CABINETS Wall Cabinets



Glass Door Cabinets
Available 3rd Quarter 2026

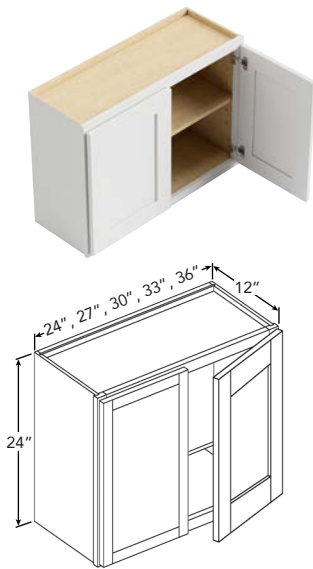
18" High Wall Cabinets

Assembled		Ready to Assemble		Dimensions	Width	Height	Depth
Model No.	Model No.	Model No.	Model No.				
REMINGTON							
SMW2418-ASM-FR01-	SMW2418-RTA-FR01-	Cabinet		24"	18"	12"	
		Door		11-3/4"	17"	3/4"	
SMW3018-ASM-FR01-	SMW3018-RTA-FR01-	Cabinet		30"	18"	12"	
		Door		14-3/4"	17"	3/4"	
SMW3318-ASM-FR01-	SMW3318-RTA-FR01-	Cabinet		33"	18"	12"	
		Door		16-1/4"	17"	3/4"	
SMW3618-ASM-FR01-	SMW3618-RTA-FR01-	Cabinet		36"	18"	12"	
		Door		17-3/4"	17"	3/4"	
LATITUDE							
SMW2418-ASM-FR02-	SMW2418-RTA-FR02-	Cabinet		24"	18"	12"	
		Door		11-3/4"	17"	3/4"	
SMW3018-ASM-FR02-	SMW3018-RTA-FR02-	Cabinet		30"	18"	12"	
		Door		14-3/4"	17"	3/4"	
SMW3318-ASM-FR02-	SMW3318-RTA-FR02-	Cabinet		33"	18"	12"	
		Door		16-1/4"	17"	3/4"	
SMW3618-ASM-FR02-	SMW3618-RTA-FR02-	Cabinet		36"	18"	12"	
		Door		17-3/4"	17"	3/4"	

Inner shelf NOT included.

Note: Only available in Remington. Glass pattern codes are found on page 7. When ordering glass door cabinets, add "GD" after the cabinet type and the glass pattern code at the end of the model number. Example: SMW2418GD-RTA-FR01-WH-C

24" High Wall Cabinets

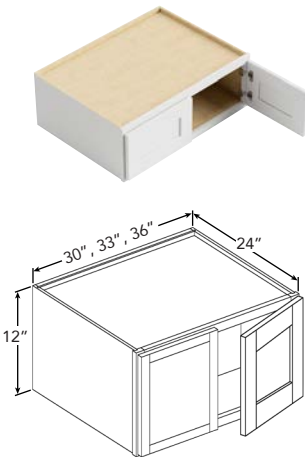


Glass Door Cabinets
Available 3rd Quarter 2026

Assembled		Ready to Assemble		Dimensions	Width	Height	Depth
Model No.	Model No.	Model No.	Model No.				
REMINGTON							
SMW2424-ASM-FR01-	SMW2424-RTA-FR01-	Cabinet		24"	24"	12"	
		Door		11-3/4"	23"	3/4"	
SMW2724-ASM-FR01-	SMW2724-RTA-FR01-	Cabinet		27"	24"	12"	
		Door		13-3/4"	23"	3/4"	
SMW3024-ASM-FR01-	SMW3024-RTA-FR01-	Cabinet		30"	24"	12"	
		Door		14-3/4"	23"	3/4"	
SMW3324-ASM-FR01-	SMW3324-RTA-FR01-	Cabinet		33"	24"	12"	
		Door		16-1/4"	23"	3/4"	
SMW3624-ASM-FR01-	SMW3624-RTA-FR01-	Cabinet		36"	24"	12"	
		Door		17-3/4"	23"	3/4"	
LATITUDE							
SMW2424-ASM-FR02-	SMW2424-RTA-FR02-	Cabinet		24"	24"	12"	
		Door		11-3/4"	23"	3/4"	
SMW2724-ASM-FR02-	SMW2724-RTA-FR02-	Cabinet		27"	24"	12"	
		Door		13-3/4"	23"	3/4"	
SMW3024-ASM-FR02-	SMW3024-RTA-FR02-	Cabinet		30"	24"	12"	
		Door		14-3/4"	23"	3/4"	
SMW3324-ASM-FR02-	SMW3324-RTA-FR02-	Cabinet		33"	24"	12"	
		Door		16-1/4"	23"	3/4"	
SMW3624-ASM-FR02-	SMW3624-RTA-FR02-	Cabinet		36"	24"	12"	
		Door		17-3/4"	23"	3/4"	

All 24" H cabinets include one inner shelf.

Note: Only available in Remington. Glass pattern codes are found on page 7. When ordering glass door cabinets, add "GD" after the cabinet type and the glass pattern code at the end of the model number. Example: SMW2424GD-RTA-FR01-WH-C



Glass Door Cabinets
Available 3rd Quarter 2026

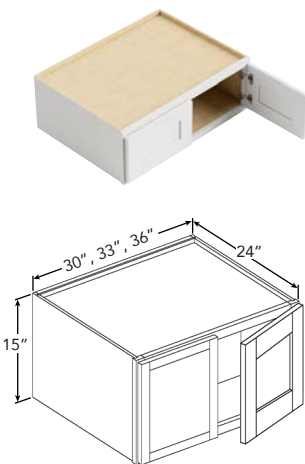
12" High x 24" Deep Wall Refrigerator Cabinets

Assembled	Ready to Assemble	Dimensions	Width	Height	Depth
Model No.	Model No.				
REMINGTON					
SMW301224-ASM-FR01-	SMW301224-RTA-FR01-	Cabinet	30"	12"	24"
		Door	14-3/4"	11"	3/4"
SMW331224-ASM-FR01-	SMW331224-RTA-FR01-	Cabinet	33"	12"	24"
		Door	16-1/4"	11"	3/4"
SMW361224-ASM-FR01-	SMW361224-RTA-FR01-	Cabinet	36"	12"	24"
		Door	17-3/4"	11"	3/4"
LATITUDE					
SMW301224-ASM-FR02-	SMW301224-RTA-FR02-	Cabinet	30"	12"	24"
		Door	14-3/4"	11"	3/4"
SMW331224-ASM-FR02-	SMW331224-RTA-FR02-	Cabinet	33"	12"	24"
		Door	16-1/4"	11"	3/4"
SMW361224-ASM-FR02-	SMW361224-RTA-FR02-	Cabinet	36"	12"	24"
		Door	17-3/4"	11"	3/4"

Inner shelf NOT included.

Note: Only available in Remington. Glass pattern codes are found on page 7.

When ordering glass door cabinets, add "GD" after the cabinet type and the glass pattern code at the end of the model number. Example: SMW301224GD-RTA-FR01-WH-C



Glass Door Cabinets
Available 3rd Quarter 2026

15" High x 24" Deep Wall Refrigerator Cabinets

Assembled	Ready to Assemble	Dimensions	Width	Height	Depth
Model No.	Model No.				
REMINGTON					
SMW301524-ASM-FR01-	SMW301524-RTA-FR01-	Cabinet	30"	15"	24"
		Door	14-3/4"	14"	3/4"
SMW331524-ASM-FR01-	SMW331524-RTA-FR01-	Cabinet	33"	15"	24"
		Door	16-1/4"	14"	3/4"
SMW361524-ASM-FR01-	SMW361524-RTA-FR01-	Cabinet	36"	15"	24"
		Door	17-3/4"	14"	3/4"
LATITUDE					
SMW301524-ASM-FR02-	SMW301524-RTA-FR02-	Cabinet	30"	15"	24"
		Door	14-3/4"	14"	3/4"
SMW331524-ASM-FR02-	SMW331524-RTA-FR02-	Cabinet	33"	15"	24"
		Door	16-1/4"	14"	3/4"
SMW361524-ASM-FR02-	SMW361524-RTA-FR02-	Cabinet	36"	15"	24"
		Door	17-3/4"	14"	3/4"

Inner shelf NOT included.

Note: Only available in Remington. Glass pattern codes are found on page 7.

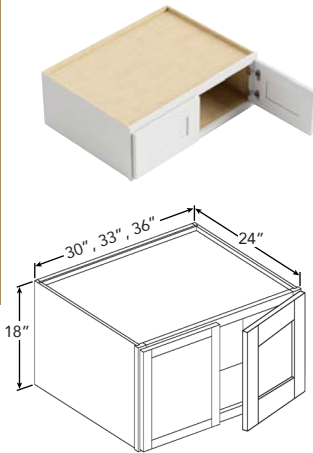
When ordering glass door cabinets, add "GD" after the cabinet type and the glass pattern code at the end of the model number. Example: SMW301524GD-RTA-FR01-WH-C

CABINETS

FRAMED CABINETS Wall Refrigerator Cabinets



18" High x 24" Deep Wall Refrigerator Cabinets



NEW!

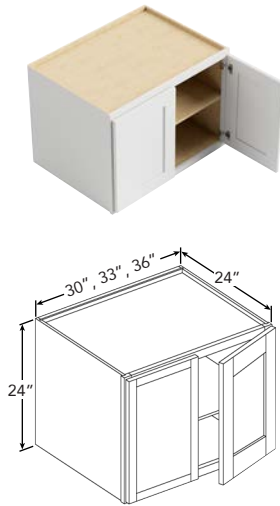
Glass Door Cabinets
Available 3rd Quarter 2026

Assembled	Ready to Assemble	Dimensions	Width	Height	Depth
Model No.	Model No.				
REMINGTON					
SMW301824-ASM-FR01-	SMW301824-RTA-FR01-	Cabinet	30"	18"	24"
		Door	14-3/4"	17"	3/4"
SMW331824-ASM-FR01-	SMW331824-RTA-FR01-	Cabinet	33"	18"	24"
		Door	16-1/4"	17"	3/4"
SMW361824-ASM-FR01-	SMW361824-RTA-FR01-	Cabinet	36"	18"	24"
		Door	17-3/4"	17"	3/4"
LATITUDE					
SMW301824-ASM-FR02-	SMW301824-RTA-FR02-	Cabinet	30"	18"	24"
		Door	14-3/4"	17"	3/4"
SMW331824-ASM-FR02-	SMW331824-RTA-FR02-	Cabinet	33"	18"	24"
		Door	16-1/4"	17"	3/4"
SMW361824-ASM-FR02-	SMW361824-RTA-FR02-	Cabinet	36"	18"	24"
		Door	17-3/4"	17"	3/4"

Inner shelf NOT included.

Note: Only available in Remington. Glass pattern codes are found on page 7.
When ordering glass door cabinets, add "GD" after the cabinet type and the glass pattern code at the end of the model number. Example: SMW301824GD-RTA-FR01-WH-C

24" High x 24" Deep Wall Refrigerator Cabinets



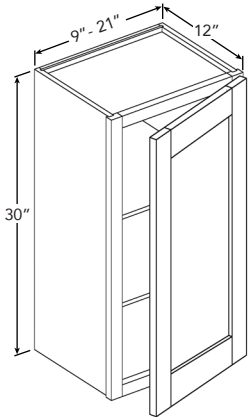
NEW!

Glass Door Cabinets
Available 3rd Quarter 2026

Assembled	Ready to Assemble	Dimensions	Width	Height	Depth
Model No.	Model No.				
REMINGTON					
SMW302424-ASM-FR01-	SMW302424-RTA-FR01-	Cabinet	30"	24"	24"
		Door	14-3/4"	23"	3/4"
SMW332424-ASM-FR01-	SMW332424-RTA-FR01-	Cabinet	33"	24"	24"
		Door	16-1/4"	23"	3/4"
SMW362424-ASM-FR01-	SMW362424-RTA-FR01-	Cabinet	36"	24"	24"
		Door	17-3/4"	23"	3/4"
LATITUDE					
SMW302424-ASM-FR02-	SMW302424-RTA-FR02-	Cabinet	30"	24"	24"
		Door	14-3/4"	23"	3/4"
SMW332424-ASM-FR02-	SMW332424-RTA-FR02-	Cabinet	33"	24"	24"
		Door	16-1/4"	23"	3/4"
SMW362424-ASM-FR02-	SMW362424-RTA-FR02-	Cabinet	36"	24"	24"
		Door	17-3/4"	23"	3/4"

All 24" H cabinets include one inner shelf.

Note: Only available in Remington. Glass pattern codes are found on page 7.
When ordering glass door cabinets, add "GD" after the cabinet type and the glass pattern code at the end of the model number. Example: SMW302424GD-RTA-FR01-WH-C



NEW!
Glass Door Cabinets
Available 3rd Quarter 2026

30" High Wall Cabinets with Single Door and 2 Adjustable Shelves

Assembled	Ready to Assemble	Dimensions	Width	Height	Depth
Model No.	Model No.				
REMINGTON					
SMW0930-ASM-FR01-	SMW0930-RTA-FR01-	Cabinet	9"	30"	12"
		Door	8-1/2"	29"	3/4"
SMW1230-ASM-FR01-	SMW1230-RTA-FR01-	Cabinet	12"	30"	12"
		Door	11-1/2"	29"	3/4"
SMW1530-ASM-FR01-	SMW1530-RTA-FR01-	Cabinet	15"	30"	12"
		Door	14-1/2"	29"	3/4"
SMW1830-ASM-FR01-	SMW1830-RTA-FR01-	Cabinet	18"	30"	12"
		Door	17-1/2"	29"	3/4"
SMW2130-ASM-FR01-	SMW2130-RTA-FR01-	Cabinet	21"	30"	12"
		Door	20-1/2"	29"	3/4"
LATITUDE					
SMW0930-ASM-FR02-	SMW0930-RTA-FR02-	Cabinet	9"	30"	12"
		Door	8-1/2"	29"	3/4"
SMW1230-ASM-FR02-	SMW1230-RTA-FR02-	Cabinet	12"	30"	12"
		Door	11-1/2"	29"	3/4"
SMW1530-ASM-FR02-	SMW1530-RTA-FR02-	Cabinet	15"	30"	12"
		Door	14-1/2"	29"	3/4"
SMW1830-ASM-FR02-	SMW1830-RTA-FR02-	Cabinet	18"	30"	12"
		Door	17-1/2"	29"	3/4"
SMW2130-ASM-FR02-	SMW2130-RTA-FR02-	Cabinet	21"	30"	12"
		Door	20-1/2"	29"	3/4"

When ordering SMW0930, SMW1230, SMW1530, SMW1830, and SMW2130 assembled cabinets, indicate "L" or "R" after the cabinet type for left-hand or right-hand door opening. Example: SMW0930L-ASM-FR01-WH.

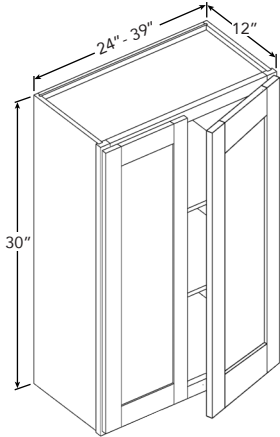
Note: Only available in Remington. Glass pattern codes are found on page 7.

When ordering glass door cabinets, add "GD" after the cabinet type and the glass pattern code at the end of the model number. Example: SMW0930GD-RTA-FR01-WH-C

When ordering glass door assembled cabinets, add "GDL" or "GDR" after the cabinet type and the glass pattern code at the end of the model number. Example: SMW0930GDL-ASM-FR01-WH-C

CABINETS

FRAMED CABINETS Wall Cabinets w/ Adjustable Shelves



30" High Wall Cabinets with Double Doors and 2 Adjustable Shelves

Assembled	Ready to Assemble	Dimensions	Width	Height	Depth
Model No.	Model No.				
REMINGTON					
SMW2430-ASM-FR01-	SMW2430-RTA-FR01-	Cabinet	24"	30"	12"
		Door	11-3/4"	29"	3/4"
SMW2730-ASM-FR01-	SMW2730-RTA-FR01-	Cabinet	27"	30"	12"
		Door	13-1/4"	29"	3/4"
SMW3030-ASM-FR01-	SMW3030-RTA-FR01-	Cabinet	30"	30"	12"
		Door	14-3/4"	29"	3/4"
SMW3330-ASM-FR01-	SMW3330-RTA-FR01-	Cabinet	33"	30"	12"
		Door	16-1/4"	29"	3/4"
SMW3630-ASM-FR01-	SMW3630-RTA-FR01-	Cabinet	36"	30"	12"
		Door	17-3/4"	29"	3/4"
SMW3930-ASM-FR01-	SMW3930-RTA-FR01-	Cabinet	39"	30"	12"
		Door	19-1/4"	29"	3/4"
LATITUDE					
SMW2430-ASM-FR02-	SMW2430-RTA-FR02-	Cabinet	24"	30"	12"
		Door	11-3/4"	29"	3/4"
SMW2730-ASM-FR02-	SMW2730-RTA-FR02-	Cabinet	27"	30"	12"
		Door	13-1/4"	29"	3/4"
SMW3030-ASM-FR02-	SMW3030-RTA-FR02-	Cabinet	30"	30"	12"
		Door	14-3/4"	29"	3/4"
SMW3330-ASM-FR02-	SMW3330-RTA-FR02-	Cabinet	33"	30"	12"
		Door	16-1/4"	29"	3/4"
SMW3630-ASM-FR02-	SMW3630-RTA-FR02-	Cabinet	36"	30"	12"
		Door	17-3/4"	29"	3/4"
SMW3930-ASM-FR02-	SMW3930-RTA-FR02-	Cabinet	39"	30"	12"
		Door	19-1/4"	29"	3/4"

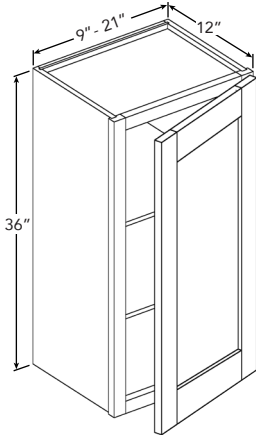
NEW!

Glass Door Cabinets
Available 3rd Quarter 2026

Inner shelf NOT included.

Note: Only available in Remington. Glass pattern codes are found on page 7.
When ordering glass door cabinets, add "GD" after the cabinet type and the glass pattern code at the end of the model number. Example: SMW2430GD-RTA-FR01-WH-C

36" High Wall Cabinets with Single Door and 2 Adjustable Shelves



Glass Door Cabinets
Available 3rd Quarter 2026

Assembled Model No.	Ready to Assemble Model No.	Dimensions	Width	Height	Depth
REMINGTON					
SMW0936-ASM-FR01-	SMW0936-RTA-FR01-	Cabinet	9"	36"	12"
		Door	8-1/2"	35"	3/4"
SMW1236-ASM-FR01-	SMW1236-RTA-FR01-	Cabinet	12"	36"	12"
		Door	11-1/2"	35"	3/4"
SMW1536-ASM-FR01-	SMW1536-RTA-FR01-	Cabinet	15"	36"	12"
		Door	14-1/2"	35"	3/4"
SMW1836-ASM-FR01-	SMW1836-RTA-FR01-	Cabinet	18"	36"	12"
		Door	17-1/2"	35"	3/4"
SMW2136-ASM-FR01-	SMW2136-RTA-FR01-	Cabinet	21"	36"	12"
		Door	20-1/2"	35"	3/4"
LATITUDE					
SMW0936-ASM-FR02-	SMW0936-RTA-FR02-	Cabinet	9"	36"	12"
		Door	8-1/2"	35"	3/4"
SMW1236-ASM-FR02-	SMW1236-RTA-FR02-	Cabinet	12"	36"	12"
		Door	11-1/2"	35"	3/4"
SMW1536-ASM-FR02-	SMW1536-RTA-FR02-	Cabinet	15"	36"	12"
		Door	14-1/2"	35"	3/4"
SMW1836-ASM-FR02-	SMW1836-RTA-FR02-	Cabinet	18"	36"	12"
		Door	17-1/2"	35"	3/4"
SMW2136-ASM-FR02-	SMW2136-RTA-FR02-	Cabinet	21"	36"	12"
		Door	20-1/2"	35"	3/4"

When ordering SMW0936, SMW1236, SMW1536, SMW1836, and SMW2136 assembled cabinets, indicate "L" or "R" after the cabinet type for left-hand or right-hand door opening. Example: SMW0936L-ASM-FR01-WH.

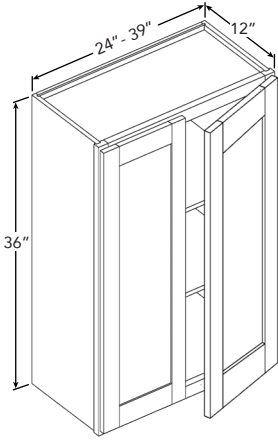
Note: Only available in Remington. Glass pattern codes are found on page 7.

When ordering glass door cabinets, add "GD" after the cabinet type and the glass pattern code at the end of the model number. Example: SMW0936GD-RTA-FR01-WH-C

When ordering glass door assembled cabinets, add "GDL" or "GDR" after the cabinet type and the glass pattern code at the end of the model number. Example: SMW0936GDL-ASM-FR01-WH-C

CABINETS

FRAMED CABINETS Wall Cabinets w/ Adjustable Shelves



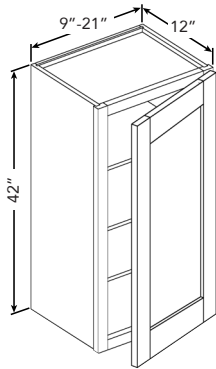
NEW!

Glass Door Cabinets
Available 3rd Quarter 2026

36" High Wall Cabinets with Double Doors and 2 Adjustable Shelves

Assembled Model No.	Ready to Assemble Model No.	Dimensions	Width	Height	Depth
REMINGTON					
SMW2436-ASM-FR01-	SMW2436-RTA-FR01-	Cabinet	24"	36"	12"
		Door	11-3/4"	35"	3/4"
SMW2736-ASM-FR01-	SMW2736-RTA-FR01-	Cabinet	27"	36"	12"
		Door	13-1/4"	35"	3/4"
SMW3036-ASM-FR01-	SMW3036-RTA-FR01-	Cabinet	30"	36"	12"
		Door	14-3/4"	35"	3/4"
SMW3336-ASM-FR01-	SMW3336-RTA-FR01-	Cabinet	33"	36"	12"
		Door	16-1/4"	35"	3/4"
SMW3636-ASM-FR01-	SMW3636-RTA-FR01-	Cabinet	36"	36"	12"
		Door	17-3/4"	35"	3/4"
SMW3936-ASM-FR01-	SMW3936-RTA-FR01-	Cabinet	39"	36"	12"
		Door	19-1/4"	35"	3/4"
LATITUDE					
SMW2436-ASM-FR02-	SMW2436-RTA-FR02-	Cabinet	24"	36"	12"
		Door	11-3/4"	35"	3/4"
SMW2736-ASM-FR02-	SMW2736-RTA-FR02-	Cabinet	27"	36"	12"
		Door	13-1/4"	35"	3/4"
SMW3036-ASM-FR02-	SMW3036-RTA-FR02-	Cabinet	30"	36"	12"
		Door	14-3/4"	35"	3/4"
SMW3336-ASM-FR02-	SMW3336-RTA-FR02-	Cabinet	33"	36"	12"
		Door	16-1/4"	35"	3/4"
SMW3636-ASM-FR02-	SMW3636-RTA-FR02-	Cabinet	36"	36"	12"
		Door	17-3/4"	35"	3/4"
SMW3936-ASM-FR02-	SMW3936-RTA-FR02-	Cabinet	39"	36"	12"
		Door	19-1/4"	35"	3/4"

Note: Only available in Remington. Glass pattern codes are found on page 7. When ordering glass door cabinets, add "GD" after the cabinet type and the glass pattern code at the end of the model number. Example: SMW2436GD-RTA-FR01-WH-C



Glass Door Cabinets
Available 3rd Quarter 2026

42" High Wall Cabinets with Single Door and 3 Adjustable Shelves

Assembled	Ready to Assemble	Dimensions	Width	Height	Depth
Model No.	Model No.				
REMINGTON					
SMW0942-ASM-FR01-	SMW0942-RTA-FR01-	Cabinet	9"	42"	12"
		Door	8-1/2"	41"	3/4"
SMW1242-ASM-FR01-	SMW1242-RTA-FR01-	Cabinet	12"	42"	12"
		Door	11-1/2"	41"	3/4"
SMW1542-ASM-FR01-	SMW1542-RTA-FR01-	Cabinet	15"	42"	12"
		Door	14-1/2"	41"	3/4"
SMW1842-ASM-FR01-	SMW1842-RTA-FR01-	Cabinet	18"	42"	12"
		Door	17-1/2"	41"	3/4"
SMW2142-ASM-FR01-	SMW2142-RTA-FR01-	Cabinet	21"	42"	12"
		Door	20-1/2"	41"	3/4"
LATITUDE					
SMW0942-ASM-FR02-	SMW0942-RTA-FR02-	Cabinet	9"	42"	12"
		Door	8-1/2"	41"	3/4"
SMW1242-ASM-FR02-	SMW1242-RTA-FR02-	Cabinet	12"	42"	12"
		Door	11-1/2"	41"	3/4"
SMW1542-ASM-FR02-	SMW1542-RTA-FR02-	Cabinet	15"	42"	12"
		Door	14-1/2"	41"	3/4"
SMW1842-ASM-FR02-	SMW1842-RTA-FR02-	Cabinet	18"	42"	12"
		Door	17-1/2"	41"	3/4"
SMW2142-ASM-FR02-	SMW2142-RTA-FR02-	Cabinet	21"	42"	12"
		Door	20-1/2"	41"	3/4"

When ordering SMW0942, SMW1242, SMW1542, SMW1842, and SMW2142 assembled cabinets, indicate "L" or "R" after the cabinet type for left-hand or right-hand door opening. Example: SMW0942L-ASM-FR01-WH.

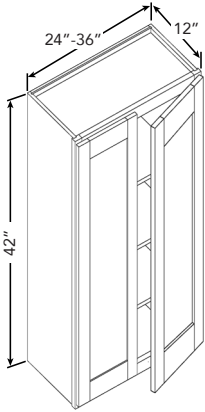
Note: Only available in Remington. Glass pattern codes are found on page 7.

When ordering glass door cabinets, add "GD" after the cabinet type and the glass pattern code at the end of the model number. Example: SMW0942GD-RTA-FR01-WH-C

When ordering glass door assembled cabinets, add "GDL" or "GDR" after the cabinet type and the glass pattern code at the end of the model number. Example: SMW0942GDL-ASM-FR01-WH-C

CABINETS

FRAMED CABINETS Wall Cabinets w/ Adjustable Shelves



Glass Door Cabinets
Available 3rd Quarter 2026

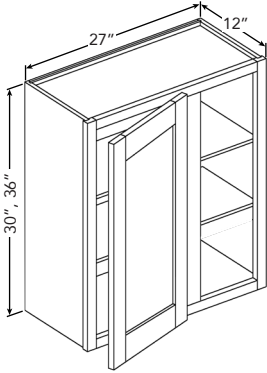
42" High Wall Cabinets with Double Doors and 3 Adjustable Shelves

Assembled	Ready to Assemble	Dimensions	Width	Height	Depth
Model No.	Model No.				
REMINGTON					
SMW2442-ASM-FR01-	SMW2442-RTA-FR01-	Cabinet	24"	42"	12"
		Door	11-3/4"	41"	3/4"
SMW2742-ASM-FR01-	SMW2742-RTA-FR01-	Cabinet	27"	42"	12"
		Door	13-1/4"	41"	3/4"
SMW3042-ASM-FR01-	SMW3042-RTA-FR01-	Cabinet	30"	42"	12"
		Door	14-3/4"	41"	3/4"
SMW3342-ASM-FR01-	SMW3342-RTA-FR01-	Cabinet	33"	42"	12"
		Door	16-1/4"	41"	3/4"
SMW3642-ASM-FR01-	SMW3642-RTA-FR01-	Cabinet	36"	42"	12"
		Door	17-3/4"	41"	3/4"
LATITUDE					
SMW2442-ASM-FR02-	SMW2442-RTA-FR02-	Cabinet	24"	42"	12"
		Door	11-3/4"	41"	3/4"
SMW2742-ASM-FR02-	SMW2742-RTA-FR02-	Cabinet	27"	42"	12"
		Door	13-1/4"	41"	3/4"
SMW3042-ASM-FR02-	SMW3042-RTA-FR02-	Cabinet	30"	42"	12"
		Door	14-3/4"	41"	3/4"
SMW3342-ASM-FR02-	SMW3342-RTA-FR02-	Cabinet	33"	42"	12"
		Door	16-1/4"	41"	3/4"
SMW3642-ASM-FR02-	SMW3642-RTA-FR02-	Cabinet	36"	42"	12"
		Door	17-3/4"	41"	3/4"

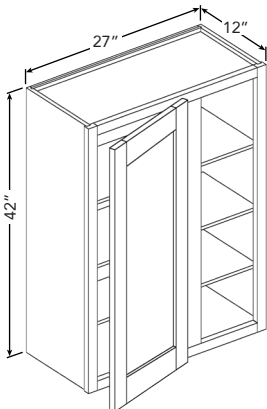
Note: Only available in Remington. Glass pattern codes are found on page 7.
When ordering glass door cabinets, add "GD" after the cabinet type and the glass pattern code at the end of the model number. Example: SMW2442GD-RTA-FR01-WH-C



Left-hand blind cabinet shown.



Right-hand blind cabinet shown.

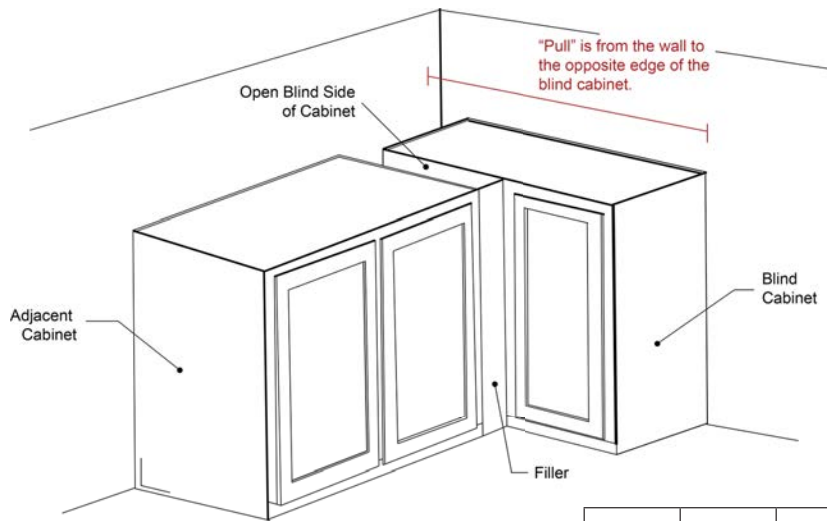


Blind Wall Cabinets

Assembled		Ready to Assemble		Dimensions	Width	Height	Depth
Model No.		Model No.					
REMINGTON							
SMWBC2730-ASM-FR01-	SMWBC2730-RTA-FR01-	Cabinet		27"	30"	12"	
		Door		12-1/2"	29"	3/4"	
		Door Opening		6-1/4"	27"	-	
SMWBC2736-ASM-FR01-	SMWBC2736-RTA-FR01-	Cabinet		27"	36"	12"	
		Door		12-1/2"	35"	3/4"	
		Door Opening		6-1/4"	33"	-	
SMWBC2742-ASM-FR01-	SMWBC2742-RTA-FR01-	Cabinet		27"	42"	12"	
		Door		12-1/2"	41"	3/4"	
		Door Opening		6-1/4"	39"	-	
LATITUDE							
SMWBC2730-ASM-FR02-	SMWBC2730-RTA-FR02-	Cabinet		27"	30"	12"	
		Door		12-1/2"	29"	3/4"	
		Door Opening		6-1/4"	27"	-	
SMWBC2736-ASM-FR02-	SMWBC2736-RTA-FR02-	Cabinet		27"	36"	12"	
		Door		12-1/2"	35"	3/4"	
		Door Opening		6-1/4"	33"	-	
SMWBC2742-ASM-FR02-	SMWBC2742-RTA-FR02-	Cabinet		27"	42"	12"	
		Door		12-1/2"	41"	3/4"	
		Door Opening		6-1/4"	39"	-	

30" H and 36" H cabinets have two shelves.
42" H cabinets have three shelves.

When ordering SMWBC2730, SMWBC2736, and SMWBC2742 assembled cabinets, indicate "L" or "R" after the cabinet type for door attached on left-hand or right-hand side of cabinet. Example: SMWBC2730L-ASM-FR01-WH.



Box Size	Min Pull	Max Pull	Center Stile
27"	27"	31-1/4"	7-11/16"

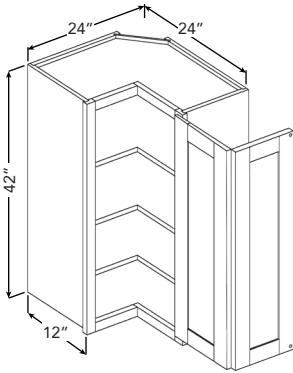
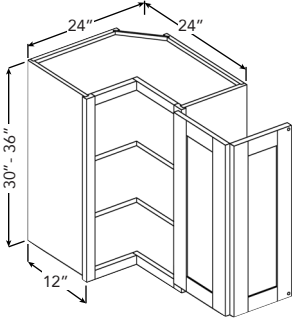
*Must use Filler (not supplied).

CABINETS

FRAMED CABINETS Easy Reach Wall



Easy Reach Wall Cabinets



Assembled Model No.	Ready to Assemble Model No.	Dimensions	Width	Height	Depth
---------------------	-----------------------------	------------	-------	--------	-------

REMINGTON

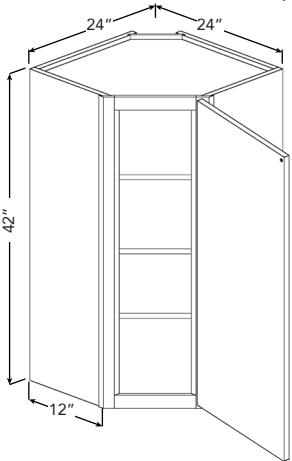
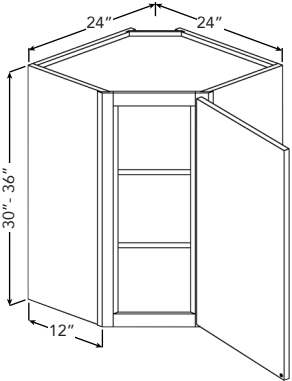
SMWER2430-ASM-FR01-	SMWER2430-RTA-FR01-	Cabinet	24"	30"	12"
		Door	10-5/8"	29"	3/4"
SMWER2436-ASM-FR01-	SMWER2436-RTA-FR01-	Cabinet	24"	36"	12"
		Door	10-5/8"	35"	3/4"
SMWER2442-ASM-FR01-	SMWER2442-RTA-FR01-	Cabinet	24"	42"	12"
		Door	10-5/8"	41"	3/4"

LATITUDE

SMWER2430-ASM-FR02-	SMWER2430-RTA-FR02-	Cabinet	24"	30"	12"
		Door	10-5/8"	29"	3/4"
SMWER2436-ASM-FR02-	SMWER2436-RTA-FR02-	Cabinet	24"	36"	12"
		Door	10-5/8"	35"	3/4"
SMWER2442-ASM-FR02-	SMWER2442-RTA-FR02-	Cabinet	24"	42"	12"
		Door	10-5/8"	41"	3/4"

30" H and 36" H cabinets have two shelves.
42" H cabinets have three shelves.

When ordering SMWER2430, SMWER2436, and SMWER2442 assembled cabinets, indicate "L" or "R" after the cabinet type for left-hand or right-hand door opening. Example: SMWER2430L-ASM-FR01-WH.



Glass Door Cabinets
Available 3rd Quarter 2026

Diagonal Corner Wall Cabinets

Assembled Model No.	Ready to Assemble Model No.	Dimensions	Width	Height	Depth
REMINGTON					
SMDCW2430-ASM-FR01-	SMDCW2430-RTA-FR01-	Cabinet	24"	30"	12"
		Door	15-1/4"	29"	3/4"
SMDCW2436-ASM-FR01-	SMDCW2436-RTA-FR01-	Cabinet	24"	36"	12"
		Door	15-1/4"	35"	3/4"
SMDCW2442-ASM-FR01-	SMDCW2442-RTA-FR01-	Cabinet	24"	42"	12"
		Door	15-1/4"	41"	3/4"
LATITUDE					
SMDCW2430-ASM-FR02-	SMDCW2430-RTA-FR02-	Cabinet	24"	30"	12"
		Door	15-1/4"	29"	3/4"
SMDCW2436-ASM-FR02-	SMDCW2436-RTA-FR02-	Cabinet	24"	36"	12"
		Door	15-1/4"	35"	3/4"
SMDCW2442-ASM-FR02-	SMDCW2442-RTA-FR02-	Cabinet	24"	42"	12"
		Door	15-1/4"	41"	3/4"

SMDCW Inside Openings are 12-1/8" W.
30" H and 36" H cabinets have two shelves.
42" H cabinets have three shelves.

When ordering SMDCW2430, SMDCW2436, and SMDCW2442 assembled cabinets, indicate "L" or "R" after the cabinet type for left-hand or right-hand door opening. Example: SMDCW2430L-ASM-FR01-WH

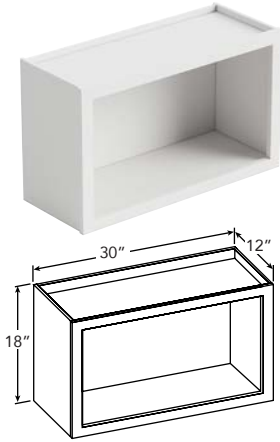
Note: Only available in Remington. Glass pattern codes are found on page 7.

When ordering glass door cabinets, add "GD" after the cabinet type and the glass pattern code at the end of the model number. Example: SMDCW2430GD-RTA-FR01-WH-C

When ordering glass door assembled cabinets, add "GDL" or "GDR" after the cabinet type and the glass pattern code at the end of the model number. Example: SMDCW2430GDL-ASM-FR01-WH-C

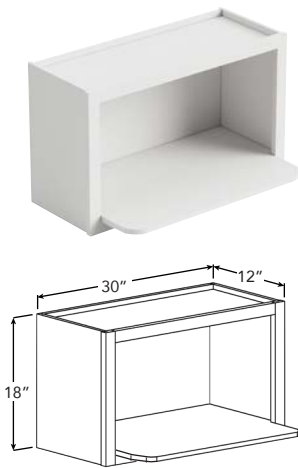
CABINETS

FRAMED CABINETS Specialty Wall Cabinets



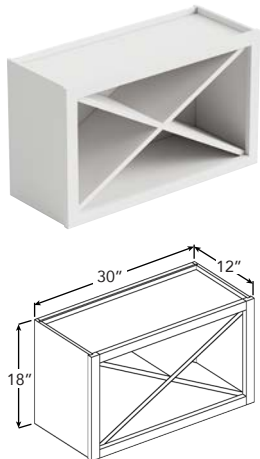
Specialty Wall Cabinet - Open Wall Cabinet

Assembled	Ready to Assemble	Dimensions	Width	Height	Depth
Model No.	Model No.				
SMWOC3018-ASM-FR01-	SMWOC3018 -RTA-FR01-	Cabinet	30"	18"	12"
		No Doors	N/A	N/A	N/A



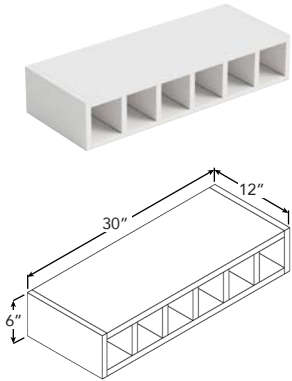
Specialty Wall Cabinet - Microwave Wall Cabinet

Assembled	Ready to Assemble	Dimensions	Width	Height	Depth
Model No.	Model No.				
SMWMS3018-ASM-FR01-	SMWMS3018 -RTA-FR01-	Cabinet	30"	18"	12"
		Shelf	28-5/16"	3/4"	17-1/2"



Specialty Wall Cabinet - Wine Storage Wall Cabinet

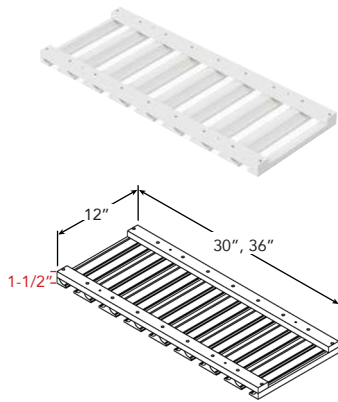
Assembled	Ready to Assemble	Dimensions	Width	Height	Depth
Model No.	Model No.				
SMWXR3018-ASM-FR01-	SMWXR3018 -RTA-FR01-	Cabinet	30"	18"	12"
		Shelf	28-9/16"	15-3/8"	10-11/16"



Specialty Wall Cabinet - Wine Storage Cubby

Model No.	Dimensions	Width	Height	Depth
SMWWC630-ASM-	Cabinet	30"	6"	12"

Fits 6 bottles.

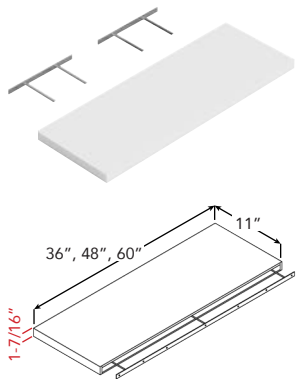


Specialty Wall Cabinet - Stem Glass Holder

Model No.	Dimensions	Width	Height	Depth
SMSGH30-	Cabinet	30"	1-1/2"	12"
SMSGH36-	Cabinet	36"	1-1/2"	12"

Allows for stemmed glasses with bases up to 3" W.

36"W Green Available
3rd Quarter 2026



Specialty Wall Cabinets - Floating Shelves

Model No.	Dimensions	Width	Height	Depth
SMFS36-	Cabinet	36"	1-7/16"	11"
SMFS48-	Cabinet	48"	1-7/16"	11"
SMFS60-	Cabinet	60"	1-7/16"	11"

36" W floating shelf only has one mounting bracket.
Recommended Max Weight: 25 lbs.

CABINETS

FRAMED CABINETS Two Door Tall Utility Cabinets



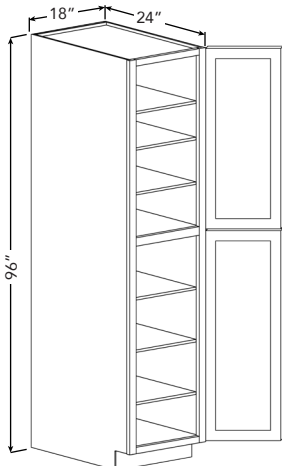
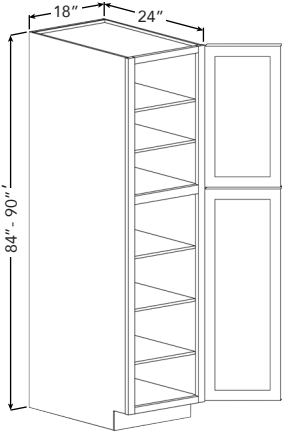
Two Door Tall Utility Cabinets

Assembled		Ready to Assemble		Dimensions	Width	Height	Depth
Model No.		Model No.					
REMINGTON							
SMU188424-ASM-FR01-	SMU188424-RTA-FR01-	Cabinet	18"	84"	24"		
		Top Door	17-1/2"	29"	3/4"		
		Bottom Door	17-1/2"	49-1/4"	3/4"		
SMU189024-ASM-FR01-	SMU189024-RTA-FR01-	Cabinet	18"	90"	24"		
		Top Door	17-1/2"	35"	3/4"		
		Bottom Door	17-1/2"	49-1/4"	3/4"		
SMU189624-ASM-FR01-	SMU189624-RTA-FR01-	Cabinet	18"	96"	24"		
		Top Door	17-1/2"	41"	3/4"		
		Bottom Door	17-1/2"	49-1/4"	3/4"		
LATITUDE							
SMU188424-ASM-FR02-	SMU188424-RTA-FR02-	Cabinet	18"	84"	24"		
		Top Door	17-1/2"	29"	3/4"		
		Bottom Door	17-1/2"	49-1/4"	3/4"		
SMU189024-ASM-FR02-	SMU189024-RTA-FR02-	Cabinet	18"	90"	24"		
		Top Door	17-1/2"	35"	3/4"		
		Bottom Door	17-1/2"	49-1/4"	3/4"		
SMU189624-ASM-FR02-	SMU189624-RTA-FR02-	Cabinet	18"	96"	24"		
		Top Door	17-1/2"	41"	3/4"		
		Bottom Door	17-1/2"	49-1/4"	3/4"		

Bottom door has a horizontal rail in the center for stability, keeping the door from flexing.
 84" H and 90" H cabinets have 5 adjustable shelves.
 96" H cabinets have 6 adjustable shelves.

When ordering SMU188424, SMU189024, and SMU189624 assembled cabinets, indicate "L" or "R" after the cabinet type for left-hand or right-hand door opening. Example: SMU188424L-ASM-FR01-WH.

96"H Latitude Smokey Grey & Navy Blue Available 3rd Quarter 2026

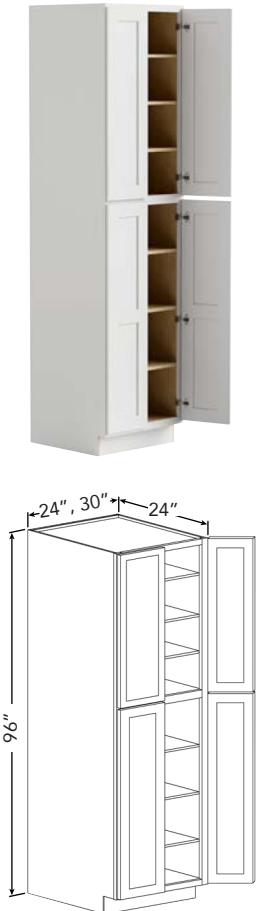
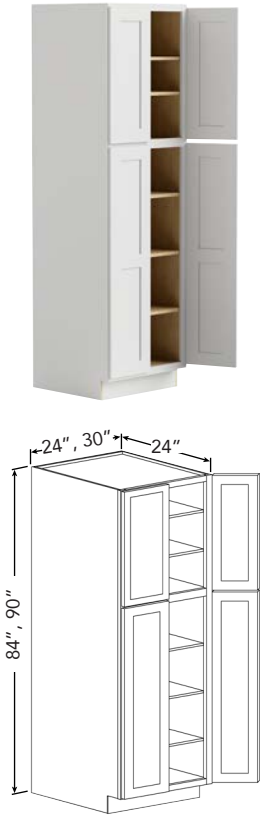


Four Door Tall Utility Cabinets

Assembled		Ready to Assemble		Dimensions	Width	Height	Depth
Model No.	Model No.						
REMINGTON							
SMU248424-ASM-FR01-	SMU248424-RTA-FR01-	Cabinet	24"	84"	24"		
		Top Door	11-3/4"	29"	3/4"		
		Bottom Door	11-3/4"	49-1/4"	3/4"		
SMU249024-ASM-FR01-	SMU249024-RTA-FR01-	Cabinet	24"	90"	24"		
		Top Door	11-3/4"	35"	3/4"		
		Bottom Door	11-3/4"	49-1/4"	3/4"		
SMU249624-ASM-FR01-	SMU249624-RTA-FR01-	Cabinet	24"	96"	24"		
		Top Door	11-3/4"	41"	3/4"		
		Bottom Door	11-3/4"	49-1/4"	3/4"		
SMU308424-ASM-FR01-	SMU308424-RTA-FR01-	Cabinet	30"	84"	24"		
		Top Door	14-3/4"	29"	3/4"		
		Bottom Door	14-3/4"	49-1/4"	3/4"		
SMU309024-ASM-FR01-	SMU309024-RTA-FR01-	Cabinet	30"	90"	24"		
		Top Door	14-3/4"	35"	3/4"		
		Bottom Door	14-3/4"	49-1/4"	3/4"		
SMU309624-ASM-FR01-	SMU309624-RTA-FR01-	Cabinet	30"	96"	24"		
		Top Door	14-3/4"	41"	3/4"		
		Bottom Door	14-3/4"	49-1/4"	3/4"		
LATITUDE							
SMU248424-ASM-FR02-	SMU248424-RTA-FR02-	Cabinet	24"	84"	24"		
		Top Door	11-3/4"	29"	3/4"		
		Bottom Door	11-3/4"	49-1/4"	3/4"		
SMU249024-ASM-FR02-	SMU249024-RTA-FR02-	Cabinet	24"	90"	24"		
		Top Door	11-3/4"	35"	3/4"		
		Bottom Door	11-3/4"	49-1/4"	3/4"		
SMU249624-ASM-FR02-	SMU249624-RTA-FR02-	Cabinet	24"	96"	24"		
		Top Door	11-3/4"	41"	3/4"		
		Bottom Door	11-3/4"	49-1/4"	3/4"		
SMU308424-ASM-FR02-	SMU308424-RTA-FR02-	Cabinet	30"	84"	24"		
		Top Door	14-3/4"	29"	3/4"		
		Bottom Door	14-3/4"	49-1/4"	3/4"		
SMU309024-ASM-FR02-	SMU309024-RTA-FR02-	Cabinet	30"	90"	24"		
		Top Door	14-3/4"	35"	3/4"		
		Bottom Door	14-3/4"	49-1/4"	3/4"		
SMU309624-ASM-FR02-	SMU309624-RTA-FR02-	Cabinet	30"	96"	24"		
		Top Door	14-3/4"	41"	3/4"		
		Bottom Door	14-3/4"	49-1/4"	3/4"		

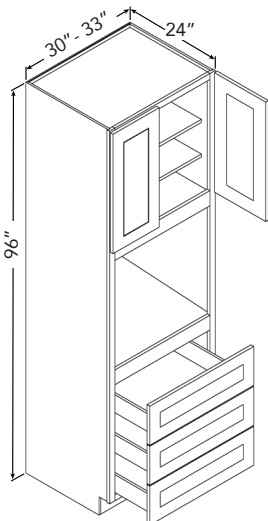
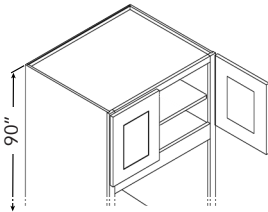
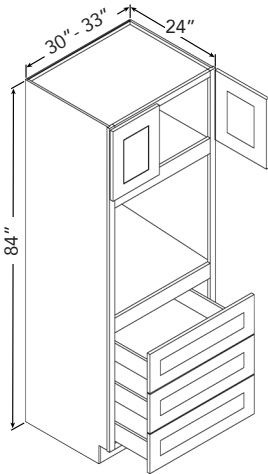
Bottom doors have a horizontal rail in the center for stability, keeping the door from flexing.
 84" H and 90" H cabinets have 5 adjustable shelves.
 96" H cabinets have 6 adjustable shelves.

96" H Latitude Smokey Grey & 30" W Navy Blue Available 2nd Quarter 2026
 24" W x 96" H Latitude Navy Blue Available 3rd Quarter 2026



CABINETS

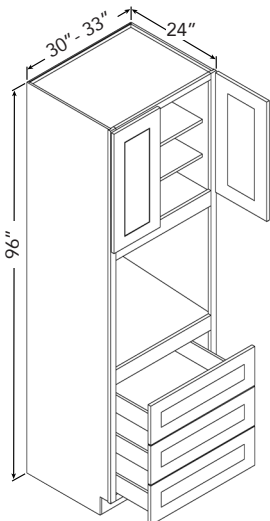
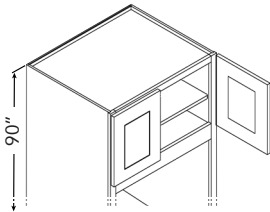
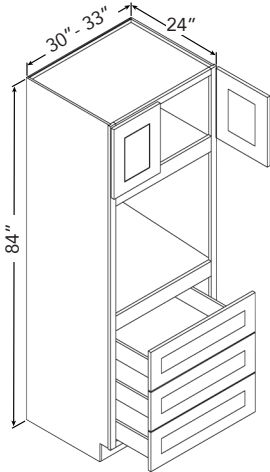
FRAMED CABINETS Tall Oven Cabinets



Tall Oven Cabinets

Assembled		Ready to Assemble		Dimensions	Width	Height	Depth
Model No.		Model No.					
REMINGTON							
SMO308424-ASM-FR01-		SMO308424-RTA-FR01-		Cabinet	30"	84"	24"
				Door	14-3/4"	17"	3/4"
				Drawer Fronts	29-1/2"	7-3/4"	3/4"
				Drawer Boxes	26-1/4"	5-1/8"	21"
				Oven Opening	27"	24-1/2"	22-3/4"
SMO309024-ASM-FR01-		SMO309024-RTA-FR01-		Cabinet	30"	90"	24"
				Door	14-3/4"	23"	3/4"
				Drawer Fronts	29-1/2"	7-3/4"	3/4"
				Drawer Boxes	26-1/4"	5-1/8"	21"
				Oven Opening	27"	24-1/2"	22-3/4"
SMO309624-ASM-FR01-		SMO309624-RTA-FR01-		Cabinet	30"	96"	24"
				Door	14-3/4"	29"	3/4"
				Drawer Fronts	29-1/2"	7-3/4"	3/4"
				Drawer Boxes	26-1/4"	5-1/8"	21"
				Oven Opening	27"	24-1/2"	22-3/4"
SMO338424-ASM-FR01-		SMO338424-RTA-FR01-		Cabinet	33"	84"	24"
				Door	16-1/4"	17"	3/4"
				Drawer Fronts	32-1/2"	7-3/4"	3/4"
				Drawer Boxes	29-1/4"	5-1/8"	21"
				Oven Opening	26-1/2"	24-1/2"	22-3/4"
SMO339024-ASM-FR01-		SMO339024-RTA-FR01-		Cabinet	33"	90"	24"
				Door	16-1/4"	23"	3/4"
				Drawer Fronts	32-1/2"	7-3/4"	3/4"
				Drawer Boxes	29-1/4"	5-1/8"	21"
				Oven Opening	26-1/2"	24-1/2"	22-3/4"
SMO339624-ASM-FR01-		SMO339624-RTA-FR01-		Cabinet	33"	96"	24"
				Door	16-1/4"	29"	3/4"
				Drawer Fronts	32-1/2"	7-3/4"	3/4"
				Drawer Boxes	29-1/4"	5-1/8"	21"
				Oven Opening	26-1/2"	24-1/2"	22-3/4"

Oven opening can be modified to accommodate a double oven.
 Height up to 51-3/4" (approx.) with removal of drawers/cut down of top rail.
 Width up to 31-1/2" (approx.) with cut down of stiles.
 84"H cabinets do not come with an inner shelf.
 90"H cabinets have one inner shelf.
 96"H cabinets have two inner shelves.



Tall Oven Cabinets

Assembled		Ready to Assemble		Dimensions	Width	Height	Depth
Model No.	Model No.						
LATITUDE							
SMO308424-ASM-FR02-	SMO308424-RTA-FR02-	Cabinet	30"	84"	24"		
		Door	14-3/4"	17"	3/4"		
		Drawer Fronts	29-1/2"	7-3/4"	3/4"		
		Drawer Boxes	26-1/4"	5-1/8"	21"		
		Oven Opening	27"	24-1/2"	22-3/4"		
SMO309024-ASM-FR02-	SMO309024-RTA-FR02-	Cabinet	30"	90"	24"		
		Door	14-3/4"	23"	3/4"		
		Drawer Fronts	29-1/2"	7-3/4"	3/4"		
		Drawer Boxes	26-1/4"	5-1/8"	21"		
		Oven Opening	27"	24-1/2"	22-3/4"		
SMO309624-ASM-FR02-	SMO309624-RTA-FR02-	Cabinet	30"	96"	24"		
		Door	14-3/4"	29"	3/4"		
		Drawer Fronts	29-1/2"	7-3/4"	3/4"		
		Drawer Boxes	26-1/4"	5-1/8"	21"		
		Oven Opening	27"	24-1/2"	22-3/4"		
SMO338424-ASM-FR02-	SMO338424-RTA-FR02-	Cabinet	33"	84"	24"		
		Door	16-1/4"	17"	3/4"		
		Drawer Fronts	32-1/2"	7-3/4"	3/4"		
		Drawer Boxes	29-1/4"	5-1/8"	21"		
		Oven Opening	26-1/2"	24-1/2"	22-3/4"		
SMO339024-ASM-FR02-	SMO339024-RTA-FR02-	Cabinet	33"	90"	24"		
		Door	16-1/4"	23"	3/4"		
		Drawer Fronts	32-1/2"	7-3/4"	3/4"		
		Drawer Boxes	29-1/4"	5-1/8"	21"		
		Oven Opening	26-1/2"	24-1/2"	22-3/4"		
SMO339624-ASM-FR02-	SMO339624-RTA-FR02-	Cabinet	33"	96"	24"		
		Door	16-1/4"	29"	3/4"		
		Drawer Fronts	32-1/2"	7-3/4"	3/4"		
		Drawer Boxes	29-1/4"	5-1/8"	21"		
		Oven Opening	26-1/2"	24-1/2"	22-3/4"		

Oven opening can be modified to accommodate a double oven.
 Height up to 51-3/4" (approx.) with removal of drawers/cut down of top rail.
 Width up to 31-1/2" (approx.) with cut down of stiles.
 84" H cabinets do not come with an inner shelf.
 90" H cabinets have one inner shelf.
 96" H cabinets have two inner shelves.

96" H Latitude Smokey Grey Available 2nd Quarter 2026
 30" W x 96" H Latitude Navy Blue Available 3rd Quarter 2026

Remington White

Shown with SMVS24-ASM-FR01-WH
vanity sink base cabinet and SMLMS2431
Sullivan LED mirror.



SAMUEL
MÜELLER

VANITIES

Remington White

Shown with SMVDDDB48-ASM-FR01-WH vanity combo base cabinet with double drawer stack and SMVM4834-MR-FR01-WH mirror.

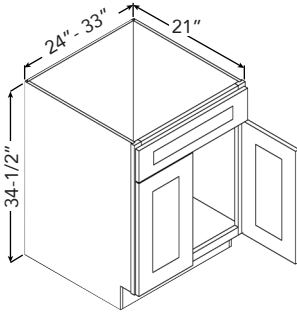


TRADITIONAL VANITIES

Samuel Müller vanity cabinets combine serviceability and sophistication. Our curated selection of vanities is crafted from premium plywood and enhances both the aesthetics and efficiency of your space. Transform your bathroom into a serene retreat where every detail is designed to combine beauty with practicality.

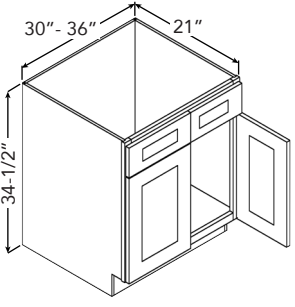
TRADITIONAL VANITIES

new and existing construction



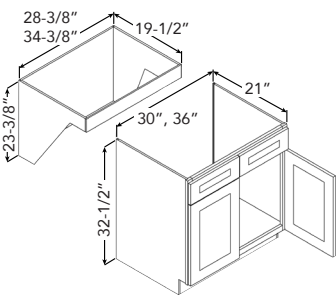
Double Door Single Drawer Front Vanity Sink Base Cabinets

Assembled	Ready to Assemble	Dimensions	Width	Height	Depth
Model No.	Model No.				
REMINGTON					
SMVS24-ASM-FR01-	SMVS24-RTA-FR01-	Cabinet	24"	34-1/2"	21"
		Door	11-3/4"	22-1/2"	3/4"
		Drawer Front	23-1/2"	6-1/4"	3/4"
SMVS27-ASM-FR01-	SMVS27-RTA-FR01-	Cabinet	27"	34-1/2"	21"
		Door	13-1/4"	22-1/2"	3/4"
		Drawer Front	26-1/2"	6-1/4"	3/4"
SMVS30S-ASM-FR01-	SMVS30S-RTA-FR01-	Cabinet	30"	34-1/2"	21"
		Door	14-3/4"	22-1/2"	3/4"
		Drawer Front	29-1/2"	6-1/4"	3/4"
SMVS33S-ASM-FR01-	SMVS33S-RTA-FR01-	Cabinet	33"	34-1/2"	21"
		Door	16-1/4"	22-1/2"	3/4"
		Drawer Front	32-1/2"	6-1/4"	3/4"
LATITUDE					
SMVS24-ASM-FR02-	SMVS24-RTA-FR02-	Cabinet	24"	34-1/2"	21"
		Door	11-3/4"	22-1/2"	3/4"
		Drawer Front	23-1/2"	6-1/4"	3/4"
SMVS27-ASM-FR02-	SMVS27-RTA-FR02-	Cabinet	27"	34-1/2"	21"
		Door	13-1/4"	22-1/2"	3/4"
		Drawer Front	26-1/2"	6-1/4"	3/4"
SMVS30S-ASM-FR02-	SMVS30S-RTA-FR02-	Cabinet	30"	34-1/2"	21"
		Door	14-3/4"	22-1/2"	3/4"
		Drawer Front	29-1/2"	6-1/4"	3/4"
SMVS33S-ASM-FR02-	SMVS33S-RTA-FR02-	Cabinet	33"	34-1/2"	21"
		Door	16-1/4"	22-1/2"	3/4"
		Drawer Front	32-1/2"	6-1/4"	3/4"



Double Door Double Drawer Front Vanity Sink Base Cabinets

Assembled		Ready to Assemble		Dimensions	Width	Height	Depth
Model No.	Model No.	Model No.	Model No.				
REMINGTON							
SMVS30-ASM-FR01-	SMVS30-RTA-FR01-	Cabinet		30"	34-1/2"	21"	
		Door		14-3/4"	22-1/2"	3/4"	
		Drawer Front		14-3/4"	6-1/4"	3/4"	
SMVS36-ASM-FR01-	SMVS36-RTA-FR01-	Cabinet		36"	34-1/2"	21"	
		Door		17-3/4"	22-1/2"	3/4"	
		Drawer Front		17-3/4"	6-1/4"	3/4"	
LATITUDE							
SMVS30-ASM-FR02-	SMVS30-RTA-FR02-	Cabinet		30"	34-1/2"	21"	
		Door		14-3/4"	22-1/2"	3/4"	
		Drawer Front		14-3/4"	6-1/4"	3/4"	
SMVS36-ASM-FR02-	SMVS36-RTA-FR02-	Cabinet		36"	34-1/2"	21"	
		Door Dimensions		17-3/4"	22-1/2"	3/4"	
		Drawer Front		17-3/4"	6-1/4"	3/4"	



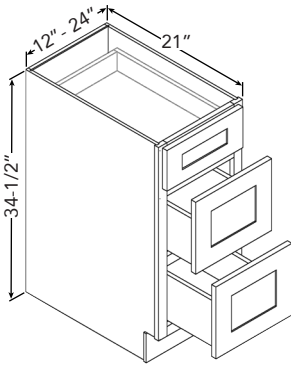
Double Door Double Drawer Front ADA Vanity Sink Base Cabinets

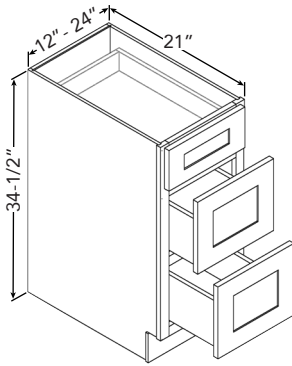
Assembled		Ready to Assemble		Dimensions	Width	Height	Depth
Model No.	Model No.	Model No.	Model No.				
REMINGTON							
SMVS30-ADA-ASM-FR01-	SMVS30-ADA-RTA-FR01-	Cabinet		30"	32-1/2"	21"	
		Door		14-3/4"	20-1/2"	3/4"	
		Drawer Front		14-3/4"	6-1/4"	3/4"	
SMVS36-ADA-ASM-FR01-	SMVS36-ADA-RTA-FR01-	Cabinet		36"	32-1/2"	21"	
		Door		17-3/4"	20-1/2"	3/4"	
		Drawer Front		17-3/4"	6-1/4"	3/4"	
LATITUDE							
SMVS30-ADA-ASM-FR02-	SMVS30-ADA-RTA-FR02-	Cabinet		30"	32-1/2"	21"	
		Door		14-3/4"	20-1/2"	3/4"	
		Drawer Front		14-3/4"	6-1/4"	3/4"	
SMVS36-ADA-ASM-FR02-	SMVS36-ADA-RTA-FR02-	Cabinet		36"	32-1/2"	21"	
		Door		17-3/4"	20-1/2"	3/4"	
		Drawer Front		17-3/4"	6-1/4"	3/4"	

*Has removable front.

Vanity Drawer Base Cabinets

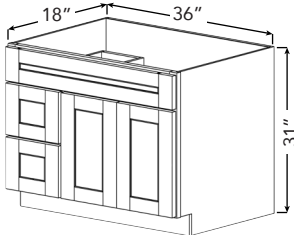
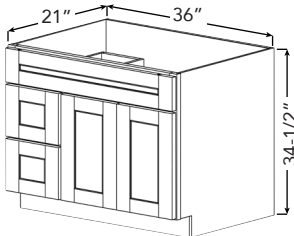
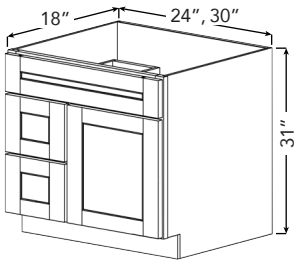
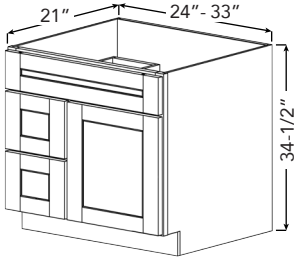
Assembled		Ready to Assemble		Dimensions	Width	Height	Depth
Model No.		Model No.					
REMINGTON							
SM3VDB12-ASM-FR01-		SM3VDB12-RTA-FR01-		Cabinet Dimensions	12"	34-1/2"	21"
				Top Drawer Front	11-1/2"	6-1/4"	3/4"
				Bottom Drawer Front	11-1/2"	11-1/8"	3/4"
				Top Drawer Box	8-1/4"	3-3/8"	18"
				Bottom Drawer Box	8-1/4"	8-1/4"	18"
SM3VDB15-ASM-FR01-		SM3VDB15-RTA-FR01-		Cabinet Dimensions	15"	34-1/2"	21"
				Top Drawer Front	14-1/2"	6-1/4"	3/4"
				Bottom Drawer Front	14-1/2"	11-1/8"	3/4"
				Top Drawer Box	11-1/4"	3-3/8"	18"
				Bottom Drawer Box	11-1/4"	8-1/4"	18"
SM3VDB18-ASM-FR01-		SM3VDB18-RTA-FR01-		Cabinet Dimensions	18"	34-1/2"	21"
				Top Drawer Front	17-1/2"	6-1/4"	3/4"
				Bottom Drawer Front	17-1/2"	11-1/8"	3/4"
				Top Drawer Box	14-1/4"	3-3/8"	18"
				Bottom Drawer Box	14-1/4"	8-1/4"	18"
SM3VDB21-ASM-FR01-		SM3VDB21-RTA-FR01-		Cabinet Dimensions	21"	34-1/2"	21"
				Top Drawer Front	20-1/2"	6-1/4"	3/4"
				Bottom Drawer Front	20-1/2"	11-1/8"	3/4"
				Top Drawer Box	17-1/4"	3-3/8"	18"
				Bottom Drawer Box	17-1/4"	8-1/4"	18"
SM3VDB24-ASM-FR01-		SM3VDB24-RTA-FR01-		Cabinet Dimensions	24"	34-1/2"	21"
				Top Drawer Front	23-1/2"	6-1/4"	3/4"
				Bottom Drawer Front	23-1/2"	11-1/8"	3/4"
				Top Drawer Box	20-1/4"	3-3/8"	18"
				Bottom Drawer Box	20-1/4"	8-1/4"	18"





Vanity Drawer Base Cabinets

Assembled	Ready to Assemble	Dimensions	Width	Height	Depth
Model No.	Model No.				
LATITUDE					
SM3VDB12-ASM-FR02-	SM3VDB12-RTA-FR02-	Cabinet Dimensions	12"	34-1/2"	21"
		Top Drawer Front	11-1/2"	6-1/4"	3/4"
		Bottom Drawer Front	11-1/2"	11-1/8"	3/4"
		Top Drawer Box	8-1/4"	3-3/8"	18"
		Bottom Drawer Box	8-1/4"	8-1/4"	18"
SM3VDB15-ASM-FR02-	SM3VDB15-RTA-FR02-	Cabinet Dimensions	15"	34-1/2"	21"
		Top Drawer Front	14-1/2"	6-1/4"	3/4"
		Bottom Drawer Front	14-1/2"	11-1/8"	3/4"
		Top Drawer Box	11-1/4"	3-3/8"	18"
		Bottom Drawer Box	11-1/4"	8-1/4"	18"
SM3VDB18-ASM-FR02-	SM3VDB18-RTA-FR02-	Cabinet Dimensions	18"	34-1/2"	21"
		Top Drawer Front	17-1/2"	6-1/4"	3/4"
		Bottom Drawer Front	17-1/2"	11-1/8"	3/4"
		Top Drawer Box	14-1/4"	3-3/8"	18"
		Bottom Drawer Box	14-1/4"	8-1/4"	18"
SM3VDB21-ASM-FR02-	SM3VDB21-RTA-FR02-	Cabinet Dimensions	21"	34-1/2"	21"
		Top Drawer Front	20-1/2"	6-1/4"	3/4"
		Bottom Drawer Front	20-1/2"	11-1/8"	3/4"
		Top Drawer Box	17-1/4"	3-3/8"	18"
		Bottom Drawer Box	17-1/4"	8-1/4"	18"
SM3VDB24-ASM-FR02-	SM3VDB24-RTA-FR02-	Cabinet Dimensions	24"	34-1/2"	21"
		Top Drawer Front	23-1/2"	6-1/4"	3/4"
		Bottom Drawer Front	23-1/2"	11-1/8"	3/4"
		Top Drawer Box	20-1/4"	3-3/8"	18"
		Bottom Drawer Box	20-1/4"	8-1/4"	18"



Vanity Combo Base Cabinets with Two Drawers on Left

Assembled		Ready to Assemble		Dimensions	Width	Height	Depth
Model No.	Model No.						
REMINGTON							
SMV2421DL-2D-ASM-FR01-	SMV2421DL-2D-RTA-FR01-	Cabinet	24"	34-1/2"	21"		
		Top Drawer Front	23-1/2"	6-1/4"	3/4"		
		Bottom Drawer Front	11-1/2"	11-1/8"	3/4"		
		Drawer Box	8-5/16"	8-1/4"	18"		
		Door	11-1/2"	22-1/2"	3/4"		
SMV241831DL-2D-ASM-FR01-	SMV241831DL-2D-RTA-FR01-	Cabinet	24"	31"	18"		
		Top Drawer Front	23-1/2"	6-1/4"	3/4"		
		Bottom Drawer Front	11-1/2"	9-3/8"	3/4"		
		Drawer Box	8-5/16"	6-7/16"	15"		
		Door	11-1/2"	19"	3/4"		
SMV2721DL-2D-ASM-FR01-	SMV2721DL-2D-RTA-FR01-	Cabinet	27"	34-1/2"	21"		
		Top Drawer Front	26-1/2"	6-1/4"	3/4"		
		Bottom Drawer Front	11-1/2"	11-1/8"	3/4"		
		Drawer Box	8-5/16"	8-1/4"	18"		
		Door	14-1/2"	22-1/2"	3/4"		
SMV3021DL-2D-ASM-FR01-	SMV3021DL-2D-RTA-FR01-	Cabinet	30"	34-1/2"	21"		
		Top Drawer Front	29-1/2"	6-1/4"	3/4"		
		Bottom Drawer Front	11-1/2"	11-1/8"	3/4"		
		Drawer Box	8-5/16"	8-1/4"	18"		
		Door	17-1/2"	22-1/2"	3/4"		
SMV301831DL-2D-ASM-FR01-	SMV301831DL-2D-RTA-FR01-	Cabinet	30"	31"	18"		
		Top Drawer Front	29-1/2"	6-1/4"	3/4"		
		Bottom Drawer Front	11-1/2"	9-3/8"	3/4"		
		Drawer Box	8-5/16"	6-7/16"	15"		
		Door	17-1/2"	19"	3/4"		
SMV3321DL-2D-ASM-FR01-	SMV3321DL-2D-RTA-FR01-	Cabinet	33"	34-1/2"	21"		
		Top Drawer Front	32-1/2"	6-1/4"	3/4"		
		Bottom Drawer Front	14-1/2"	11-1/8"	3/4"		
		Drawer Box	11-5/16"	8-1/4"	18"		
		Door	17-1/2"	22-1/2"	3/4"		
SMV3621DL-2D-ASM-FR01-	SMV3621DL-2D-RTA-FR01-	Cabinet	36"	34-1/2"	21"		
		Top Drawer Front	35-1/2"	6-1/4"	3/4"		
		Bottom Drawer Front	11-1/2"	11-1/8"	3/4"		
		Drawer Box	8-5/16"	8-1/4"	18"		
		Door	11-3/4"	22-1/2"	3/4"		
SMV361831DL-2D-ASM-FR01-	SMV361831DL-2D-RTA-FR01-	Cabinet	36"	31"	18"		
		Top Drawer Front	35-1/2"	6-1/4"	3/4"		
		Bottom Drawer Front	11-1/2"	9-3/8"	3/4"		
		Drawer Box	8-5/16"	6-7/16"	15"		
		Door	11-3/4"	19"	3/4"		

Drawers on left and Drawer Front only on top.

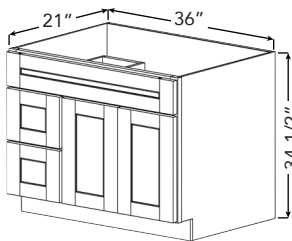
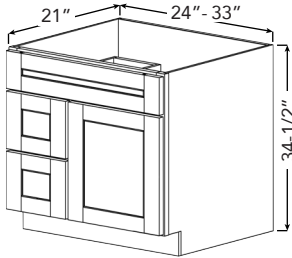
*TDF stands for Top Drawer Front

**BDF stands for Bottom Drawer Front

*31"H Only Available in Remington White & Tan Wood.

Available 4th Quarter 2026.

Vanity Combo Base Cabinets with Two Drawers on Left



Assembled	Ready to Assemble	Dimensions	Width	Height	Depth
Model No.	Model No.				
LATITUDE					
SMV2421DL-2D-ASM-FR02-	SMV2421DL-2D-RTA-FR02-	Cabinet	24"	34-1/2"	21"
		Top Drawer Front	23-1/2"	6-1/4"	3/4"
		Bottom Drawer Front	8-1/2"	11-1/8"	3/4"
		Drawer Box	5-5/16"	8-1/4"	18"
		Door	14-1/2"	22-1/2"	3/4"
SMV2721DL-2D-ASM-FR02-	SMV2721DL-2D-RTA-FR02-	Cabinet	27"	34-1/2"	21"
		Top Drawer Front	26-1/2"	6-1/4"	3/4"
		Bottom Drawer Front	11-1/2"	11-1/8"	3/4"
		Drawer Box	8-5/16"	8-1/4"	18"
		Door	14-1/2"	22-1/2"	3/4"
SMV3021DL-2D-ASM-FR02-	SMV3021DL-2D-RTA-FR02-	Cabinet	30"	34-1/2"	21"
		Top Drawer Front	29-1/2"	6-1/4"	3/4"
		Bottom Drawer Front	11-1/2"	11-1/8"	3/4"
		Drawer Box	8-5/16"	8-1/4"	18"
		Door	17-1/2"	22-1/2"	3/4"
SMV3321DL-2D-ASM-FR02-	SMV3321DL-2D-RTA-FR02-	Cabinet	33"	34-1/2"	21"
		Top Drawer Front	32-1/2"	6-1/4"	3/4"
		Bottom Drawer Front	14-1/2"	11-1/8"	3/4"
		Drawer Box	11-5/16"	8-1/4"	18"
		Door	17-1/2"	22-1/2"	3/4"
SMV3621DL-2D-ASM-FR02-	SMV3621DL-2D-RTA-FR02-	Cabinet	36"	34-1/2"	21"
		Top Drawer Front	35-1/2"	6-1/4"	3/4"
		Bottom Drawer Front	11-1/2"	11-1/8"	3/4"
		Drawer Box	8-5/16"	8-1/4"	18"
		Door	11-3/4"	22-1/2"	3/4"

Drawers on left and Drawer Front only on top.

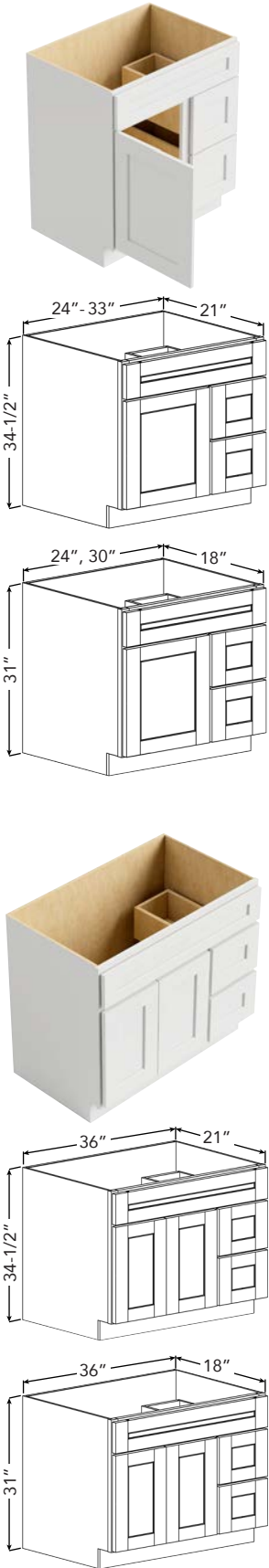


Vanity Combo Base Cabinets with Two Drawers on Right

Assembled	Ready to Assemble	Dimensions	Width	Height	Depth
Model No.	Model No.				

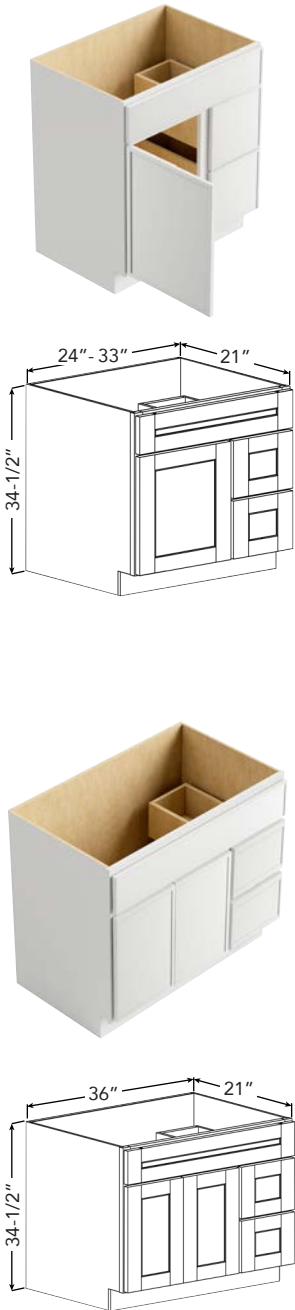
REMINGTON					
SMV2421DR-2D-ASM-FR01-	SMV2421DR-2D-RTA-FR01-	Cabinet	24"	34-1/2"	21"
		Top Drawer Front	23-1/2"	6-1/4"	3/4"
		Bottom Drawer Front	11-1/2"	11-1/8"	3/4"
		Drawer Box	8-5/16"	8-1/4"	18"
		Door	11-1/2"	22-1/2"	3/4"
SMV241831DR-2D-ASM-FR01-	SMV241831DR-2D-RTA-FR01-	Cabinet	24"	31"	18"
		Top Drawer Front	23-1/2"	6-1/4"	3/4"
		Bottom Drawer Front	11-1/2"	9-3/8"	3/4"
		Drawer Box	8-5/16"	6-7/16"	15"
		Door	11-1/2"	19"	3/4"
SMV2721DR-2D-ASM-FR01-	SMV2721DR-2D-RTA-FR01-	Cabinet	27"	34-1/2"	21"
		Top Drawer Front	26-1/2"	6-1/4"	3/4"
		Bottom Drawer Front	11-1/2"	11-1/8"	3/4"
		Drawer Box	8-5/16"	8-1/4"	18"
		Door	14-1/2"	22-1/2"	3/4"
SMV3021DR-2D-ASM-FR01-	SMV3021DR-2D-RTA-FR01-	Cabinet	30"	34-1/2"	21"
		Top Drawer Front	29-1/2"	6-1/4"	3/4"
		Bottom Drawer Front	11-1/2"	11-1/8"	3/4"
		Drawer Box	8-5/16"	8-1/4"	18"
		Door	17-1/2"	22-1/2"	3/4"
SMV301831DR-2D-ASM-FR01-	SMV301831DR-2D-RTA-FR01-	Cabinet	30"	31"	18"
		Top Drawer Front	29-1/2"	6-1/4"	3/4"
		Bottom Drawer Front	11-1/2"	9-3/8"	3/4"
		Drawer Box	8-5/16"	6-7/16"	15"
		Door	17-1/2"	19"	3/4"
SMV3321DR-2D-ASM-FR01-	SMV3321DR-2D-RTA-FR01-	Cabinet	33"	34-1/2"	21"
		Top Drawer Front	32-1/2"	6-1/4"	3/4"
		Bottom Drawer Front	14-1/2"	11-1/8"	3/4"
		Drawer Box	11-5/16"	8-1/4"	18"
		Door	17-1/2"	22-1/2"	3/4"
SMV3621DR-2D-ASM-FR01-	SMV3621DR-2D-RTA-FR01-	Cabinet	36"	34-1/2"	21"
		Top Drawer Front	35-1/2"	6-1/4"	3/4"
		Bottom Drawer Front	11-1/2"	11-1/8"	3/4"
		Drawer Box	8-5/16"	8-1/4"	18"
		Door	11-3/4"	22-1/2"	3/4"
SMV361831DR-2D-ASM-FR01-	SMV361831DR-2D-RTA-FR01-	Cabinet	36"	31"	18"
		Top Drawer Front	35-1/2"	6-1/4"	3/4"
		Bottom Drawer Front	11-1/2"	9-3/8"	3/4"
		Drawer Box	8-5/16"	6-7/16"	15"
		Door	11-3/4"	19"	3/4"

Drawers on right and Drawer Front only on top.
 *TDF stands for Top Drawer Front
 **BDF stands for Bottom Drawer Front



*31" H Only Available in Remington White & Tan Wood.
 Available 4th Quarter 2026.

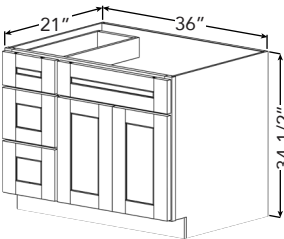
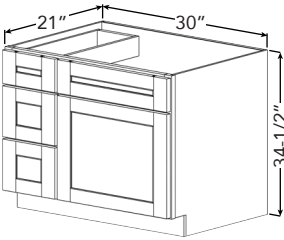
Vanity Combo Base Cabinets with Two Drawers on Right



Assembled	Ready to Assemble	Dimensions	Width	Height	Depth
Model No.	Model No.				
LATITUDE					
SMV2421DR-2D-ASM-FR02-	SMV2421DR-2D-RTA-FR02-	Cabinet	24"	34-1/2"	21"
		Top Drawer Front	23-1/2"	6-1/4"	3/4"
		Bottom Drawer Front	8-1/2"	11-1/8"	3/4"
		Drawer Box	5-5/16"	8-1/4"	18"
		Door	14-1/2"	22-1/2"	3/4"
SMV2721DR-2D-ASM-FR02-	SMV2721DR-2D-RTA-FR02-	Cabinet	27"	34-1/2"	21"
		Top Drawer Front	26-1/2"	6-1/4"	3/4"
		Bottom Drawer Front	11-1/2"	11-1/8"	3/4"
		Drawer Box	8-5/16"	8-1/4"	18"
		Door	14-1/2"	22-1/2"	3/4"
SMV3021DR-2D-ASM-FR02-	SMV3021DR-2D-RTA-FR02-	Cabinet	30"	34-1/2"	21"
		Top Drawer Front	29-1/2"	6-1/4"	3/4"
		Bottom Drawer Front	11-1/2"	11-1/8"	3/4"
		Drawer Box	8-5/16"	8-1/4"	18"
		Door	17-1/2"	22-1/2"	3/4"
SMV3321DR-2D-ASM-FR02-	SMV3321DR-2D-RTA-FR02-	Cabinet	33"	34-1/2"	21"
		Top Drawer Front	32-1/2"	6-1/4"	3/4"
		Bottom Drawer Front	14-1/2"	11-1/8"	3/4"
		Drawer Box	11-5/16"	8-1/4"	18"
		Door	17-1/2"	22-1/2"	3/4"
SMV3621DR-2D-ASM-FR02-	SMV3621DR-2D-RTA-FR02-	Cabinet	36"	34-1/2"	21"
		Top Drawer Front	35-1/2"	6-1/4"	3/4"
		Bottom Drawer Front	11-1/2"	11-1/8"	3/4"
		Drawer Box	8-5/16"	8-1/4"	18"
		Door	11-3/4"	22-1/2"	3/4"

Drawers on right and Drawer Front only on top.

Vanity Combo Base Cabinets with Three Drawers on Left



Assembled Model No.	Ready to Assemble Model No.	Dimensions	Width	Height	Depth
---------------------	-----------------------------	------------	-------	--------	-------

REMINGTON

SMV3021DL-ASM-FR01-	SMV3021DL-RTA-FR01-	Cabinet Dimensions	30"	34-1/2"	21"
		Top Drawer Front	11-1/2"	6-1/4"	3/4"
		Bottom Drawer Front	11-1/2"	11-1/8"	3/4"
		Top Long Drawer Front	17-1/2"	6-1/4"	3/4"
		Top Drawer Box	8-5/16"	3-3/8"	18"
		Bottom Drawer Box	8-5/16"	8-1/4"	18"
		Door Dimensions	17-1/2"	22-1/2"	3/4"
		SMV3621DL-ASM-FR01-	SMV3621DL-RTA-FR01-	Cabinet Dimensions	36"
Top Drawer Front	11-1/2"			6-1/4"	3/4"
Bottom Drawer Front	11-1/2"			11-1/8"	3/4"
Top Long Drawer Front	23-1/2"			6-1/4"	3/4"
Top Drawer Box	8-5/16"			3-3/8"	18"
Bottom Drawer Box	8-5/16"			8-1/4"	18"
Door Dimensions	11-3/4"			22-1/2"	3/4"

LATITUDE

SMV3021DL-ASM-FR02-	SMV3021DL-RTA-FR02-	Cabinet Dimensions	30"	34-1/2"	21"
		Top Drawer Front	11-1/2"	6-1/4"	3/4"
		Bottom Drawer Front	11-1/2"	11-1/8"	3/4"
		Top Long Drawer Front	17-1/2"	6-1/4"	3/4"
		Top Drawer Box	8-5/16"	3-3/8"	18"
		Bottom Drawer Box	8-5/16"	8-1/4"	18"
		Door Dimensions	17-1/2"	22-1/2"	3/4"
		SMV3621DL-ASM-FR02-	SMV3621DL-RTA-FR02-	Cabinet Dimensions	36"
Top Drawer Front	11-1/2"			6-1/4"	3/4"
Bottom Drawer Front	11-1/2"			11-1/8"	3/4"
Top Long Drawer Front	23-1/2"			6-1/4"	3/4"
Top Drawer Box	8-5/16"			3-3/8"	18"
Bottom Drawer Box	8-5/16"			8-1/4"	18"
Door Dimensions	11-3/4"			22-1/2"	3/4"

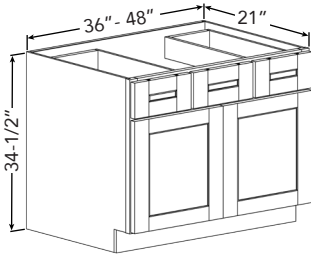
Drawers on left and Drawer Front only on right.

Vanity Combo Base Cabinets with Three Drawers on Right



Assembled	Ready to Assemble	Dimensions	Width	Height	Depth
Model No.	Model No.				
REMINGTON					
SMV3021DR-ASM-FR01-	SMV3021DR-RTA-FR01-	Cabinet	30"	34-1/2"	21"
		Top Drawer Front	11-1/2"	6-1/4"	3/4"
		Bottom Drawer Front	11-1/2"	11-1/8"	3/4"
		Top Long Drawer Front	17-1/2"	6-1/4"	3/4"
		Top Drawer Box	8-5/16"	3-3/8"	18"
		Bottom Drawer Box	8-5/16"	8-1/4"	18"
		Door	17-1/2"	22-1/2"	3/4"
SMV3621DR-ASM-FR01-	SMV3621DR-RTA-FR01-	Cabinet	36"	34-1/2"	21"
		Top Drawer Front	11-1/2"	6-1/4"	3/4"
		Bottom Drawer Front	11-1/2"	11-1/8"	3/4"
		Top Long Drawer Front	23-1/2"	6-1/4"	3/4"
		Top Drawer Box	8-5/16"	3-3/8"	18"
		Bottom Drawer Box	8-5/16"	8-1/4"	18"
		Door	11-3/4"	22-1/2"	3/4"
LATITUDE					
SMV3021DR-ASM-FR02-	SMV3021DR-RTA-FR02-	Cabinet	30"	34-1/2"	21"
		Top Drawer Front	11-1/2"	6-1/4"	3/4"
		Bottom Drawer Front	11-1/2"	11-1/8"	3/4"
		Top Long Drawer Front	17-1/2"	6-1/4"	3/4"
		Top Drawer Box	8-5/16"	3-3/8"	18"
		Bottom Drawer Box	8-5/16"	8-1/4"	18"
		Door	17-1/2"	22-1/2"	3/4"
SMV3621DR-ASM-FR02-	SMV3621DR-RTA-FR02-	Cabinet	36"	34-1/2"	21"
		Top Drawer Front	11-1/2"	6-1/4"	3/4"
		Bottom Drawer Front	11-1/2"	11-1/8"	3/4"
		Top Long Drawer Front	23-1/2"	6-1/4"	3/4"
		Top Drawer Box	8-5/16"	3-3/8"	18"
		Bottom Drawer Box	8-5/16"	8-1/4"	18"
		Door	11-3/4"	22-1/2"	3/4"

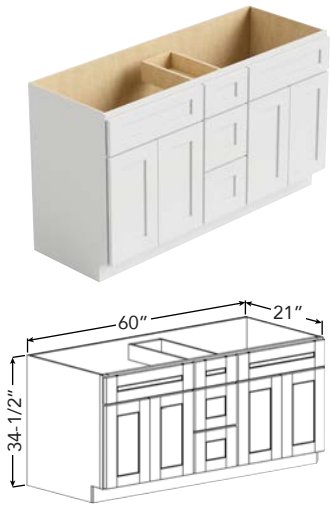
Drawers on right and Drawer Front only on left.



Vanity Combo Base Cabinets

Assembled	Ready to Assemble	Dimensions	Width	Height	Depth
Model No.	Model No.				
REMINGTON					
SMVSD36-ASM-FR01-	SMVSD36-RTA-FR01-	Cabinet Dimensions	36"	34-1/2"	21"
		Door Dimensions	17-3/4"	22-1/2"	3/4"
		Outside Drawer Front	10-1/4"	6-1/4"	3/4"
		Center Drawer Front	14-1/2"	6-1/4"	3/4"
		Drawer Box	7"	3-3/8"	18"
SMVSD42-ASM-FR01-	SMVSD42-RTA-FR01-	Cabinet Dimensions	42"	34-1/2"	21"
		Door Dimensions	20-3/4"	22-1/2"	3/4"
		Outside Drawer Front	11-1/2"	6-1/4"	3/4"
		Center Drawer Front	18"	6-1/4"	3/4"
		Drawer Box	8-1/4"	3-3/8"	18"
SMVSD48-ASM-FR01-	SMVSD48-RTA-FR01-	Cabinet Dimensions	48"	34-1/2"	21"
		Door Dimensions	23-3/4"	22-1/2"	3/4"
		Outside Drawer Front	14-1/2"	6-1/4"	3/4"
		Center Drawer Front	18"	6-1/4"	3/4"
		Drawer Box	11-1/4"	3-3/8"	18"
LATITUDE					
SMVSD36-ASM-FR02-	SMVSD36-RTA-FR02-	Cabinet Dimensions	36"	34-1/2"	21"
		Door Dimensions	17-3/4"	22-1/2"	3/4"
		Outside Drawer Front	10-1/4"	6-1/4"	3/4"
		Center Drawer Front	14-1/2"	6-1/4"	3/4"
		Drawer Box	7"	3-3/8"	18"
SMVSD42-ASM-FR02-	SMVSD42-RTA-FR02-	Cabinet Dimensions	42"	34-1/2"	21"
		Door Dimensions	20-3/4"	22-1/2"	3/4"
		Outside Drawer Front	11-1/2"	6-1/4"	3/4"
		Center Drawer Front	18"	6-1/4"	3/4"
		Drawer Box	8-1/4"	3-3/8"	18"
SMVSD48-ASM-FR02-	SMVSD48-RTA-FR02-	Cabinet Dimensions	48"	34-1/2"	21"
		Door Dimensions	23-3/4"	22-1/2"	3/4"
		Outside Drawer Front	14-1/2"	6-1/4"	3/4"
		Center Drawer Front	18"	6-1/4"	3/4"
		Drawer Box	11-1/4"	3-3/8"	18"
The SMVSD42 and SMVSD48 have a center stile. Drawers on left and right. Drawer Front only in center.					

Vanity Combo Base Cabinet with Center Drawer Stack

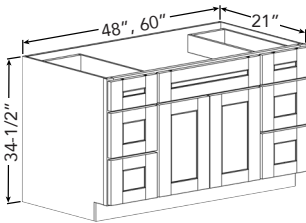
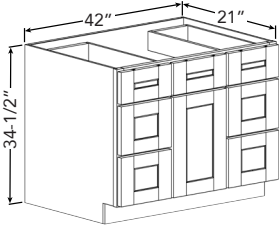


Assembled		Ready to Assemble		Dimensions	Width	Height	Depth
Model No.	Model No.						
REMINGTON							
SMVSD60-3D-ASM-FR01-	SMVSD60-3D-RTA-FR01-	Cabinet Dimensions		60"	34-1/2"	21"	
		Top Drawer Front		11-1/2"	6-1/4"	3/4"	
		Bottom Drawer Front		11-1/2"	11-1/8"	3/4"	
		Top Long Drawer Front		23-1/2"	6-1/4"	3/4"	
		Top Drawer Box		8-1/4"	3-3/8"	18"	
		Bottom Drawer Box		8-1/4"	8-1/4"	18"	
		Door Dimensions		11-11/16"	22-1/2"	3/4"	
LATITUDE							
SMVSD60-3D-ASM-FR02-	SMVSD60-3D-RTA-FR02-	Cabinet Dimensions		60"	34-1/2"	21"	
		Top Drawer Front		11-1/2"	6-1/4"	3/4"	
		Bottom Drawer Front		11-1/2"	11-1/8"	3/4"	
		Top Long Drawer Front		23-1/2"	6-1/4"	3/4"	
		Top Drawer Box		8-1/4"	3-3/8"	18"	
		Bottom Drawer Box		8-1/4"	8-1/4"	18"	
		Door Dimensions		11-11/16"	22-1/2"	3/4"	
Drawer stacks in center. Drawer Front only on left and right.							

Vanity Combo Base Cabinets with Double Drawer Stack

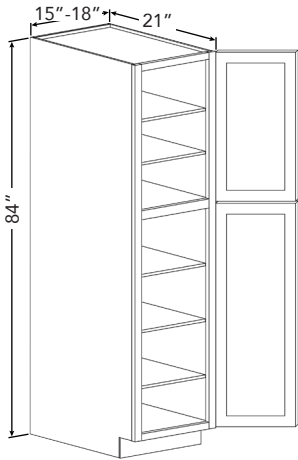
Assembled	Ready to Assemble	Dimensions	Width	Height	Depth
Model No.	Model No.				
REMINGTON					
SMVDDB42-ASM-FR01-	SMVDDB42-RTA-FR01-	Cabinet Dimensions	42"	34-1/2"	21"
		Top Drawer Front	11-1/2"	6-1/4"	3/4"
		Bottom Drawer Front	11-1/2"	11-1/8"	3/4"
		Top Long Drawer Front	17-1/2"	6-1/4"	3/4"
		Top Drawer Box	8-1/4"	3-3/8"	18"
		Bottom Drawer Box	8-1/4"	8-1/4"	18"
		Door Dimensions	17-1/2"	22-1/2"	3/4"
SMVDDB48-ASM-FR01-	SMVDDB48-RTA-FR01-	Cabinet Dimensions	48"	34-1/2"	21"
		Top Drawer Front	11-1/2"	6-1/4"	3/4"
		Bottom Drawer Front	11-1/2"	11-1/8"	3/4"
		Top Long Drawer Front	23-1/2"	6-1/4"	3/4"
		Top Drawer Box	8-1/4"	3-3/8"	18"
		Bottom Drawer Box	8-1/4"	8-1/4"	18"
		Door Dimensions	11-3/4"	22-1/2"	3/4"
SMVDDB60-ASM-FR01-	SMVDDB60-RTA-FR01-	Cabinet Dimensions	60"	34-1/2"	21"
		Top Drawer Front	14-1/2"	6-1/4"	3/4"
		Bottom Drawer Front	14-1/2"	11-1/8"	3/4"
		Top Long Drawer Front	29-1/2"	6-1/4"	3/4"
		Top Drawer Box	11-1/4"	3-3/8"	18"
		Bottom Drawer Box	11-1/4"	8-1/4"	18"
		Door Dimensions	14-3/4"	22-1/2"	3/4"
LATITUDE					
SMVDDB42-ASM-FR02-	SMVDDB42-RTA-FR02-	Cabinet Dimensions	42"	34-1/2"	21"
		Top Drawer Front	11-1/2"	6-1/4"	3/4"
		Bottom Drawer Front	11-1/2"	11-1/8"	3/4"
		Top Long Drawer Front	17-1/2"	6-1/4"	3/4"
		Top Drawer Box	8-1/4"	3-3/8"	18"
		Bottom Drawer Box	8-1/4"	8-1/4"	18"
		Door Dimensions	17-1/2"	22-1/2"	3/4"
SMVDDB48-ASM-FR02-	SMVDDB48-RTA-FR02-	Cabinet Dimensions	48"	34-1/2"	21"
		Top Drawer Front	11-1/2"	6-1/4"	3/4"
		Bottom Drawer Front	11-1/2"	11-1/8"	3/4"
		Top Long Drawer Front	23-1/2"	6-1/4"	3/4"
		Top Drawer Box	8-1/4"	3-3/8"	18"
		Bottom Drawer Box	8-1/4"	8-1/4"	18"
		Door Dimensions	11-3/4"	22-1/2"	3/4"
SMVDDB60-ASM-FR02-	SMVDDB60-RTA-FR02-	Cabinet Dimensions	60"	34-1/2"	21"
		Top Drawer Front	14-1/2"	6-1/4"	3/4"
		Bottom Drawer Front	14-1/2"	11-1/8"	3/4"
		Top Long Drawer Front	29-1/2"	6-1/4"	3/4"
		Top Drawer Box	11-1/4"	3-3/8"	18"
		Bottom Drawer Box	11-1/4"	8-1/4"	18"
		Door Dimensions	14-3/4"	22-1/2"	3/4"

Drawer stacks on left and right. Drawer Front only in center.



Vanity Linen Cabinets

Assembled	Ready to Assemble	Dimensions	Width	Height	Depth
Model No.	Model No.				
REMINGTON					
SML158421-ASM-FR01-	SML158421-RTA-FR01-	Cabinet Dimensions	15"	84"	21"
		Top Door Dimensions	14-1/2"	29"	3/4"
		Bottom Door Dimensions	14-1/2"	49-1/4"	3/4"
SML188421-ASM-FR01-	SML188421-RTA-FR01-	Cabinet Dimensions	18"	84"	21"
		Top Door Dimensions	17-1/2"	29"	3/4"
		Bottom Door Dimensions	17-1/2"	49-1/4"	3/4"
LATITUDE					
SML158421-ASM-FR02-	SML158421-RTA-FR02-	Cabinet Dimensions	15"	84"	21"
		Top Door Dimensions	14-1/2"	29"	3/4"
		Bottom Door Dimensions	14-1/2"	49-1/4"	3/4"
SML188421-ASM-FR02-	SML188421-RTA-FR02-	Cabinet Dimensions	18"	84"	21"
		Top Door Dimensions	17-1/2"	29"	3/4"
		Bottom Door Dimensions	17-1/2"	49-1/4"	3/4"



Bottom door has a horizontal rail in the center for stability, keeping the door from flexing.
Includes 5 adjustable shelves.

When ordering SML158421 and SML188421 assembled cabinets, indicate "L" or "R" after the cabinet type for left-hand or right-hand door opening. Example: SML158421L-ASM-FR01-WH.

Remington Green

Shown with SMV3621DL-2D-ASM-FR01-GR vanity combo base cabinet and Eclipse SMLME3524 LED mirror.





Cabinet Add-Ons



Drawers



Legs



Corbels



Molding



Panels

CABINET ACCESSORIES

Drawers help maximize storage efficiency and organization. Shelves offer versatile storage solutions, allowing you to customize your cabinet interiors to your specific needs. Corbels and Decorative Legs infuse your cabinetry with classic charm and architectural detail, providing a refined touch to your kitchen. The Remington Valance completes the look, adding a sophisticated, finished appearance to your cabinets while blending seamlessly with the classic Remington style. Moldings and panels allow for personalized accents and finishing touches, enhancing the overall design and creating a cohesive look with your cabinets.

Enhance your cabinetry with our extensive range of framed cabinet accessories. Designed to complement and elevate the beauty of your cabinets, these add-ons provide both functional and decorative solutions. Available in colors that match perfectly with the Samuel Müller cabinets, these accessories ensure a harmonious and polished appearance throughout your space. Elevate your cabinetry with these refined details to achieve a truly customized and stunning finish.

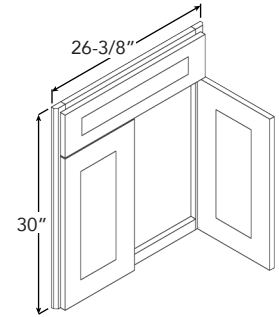
CABINET ACCESSORIES

new and existing construction



Diagonal Corner Sink Base Cabinet Front

Model No.	Dimensions	Width	Height	Depth
REMINGTON				
SMDCSF42-FR01-	Cabinet	26-3/8"	30"	3/4"
	Door	11-3/4"	22-1/2"	3/4"
LATITUDE				
SMDCSF42-FR02-	Cabinet	26-3/8"	30"	3/4"
	Door	11-3/4"	22-1/2"	3/4"



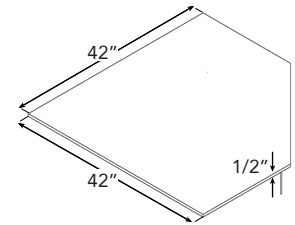
SMDCSF42 to be used in conjunction with SMSBF4242.
Toe Kick NOT included.



Diagonal Corner Sink Base Cabinet Floor

Model No.	Width	Height	Depth
SMSBF4242	42"	1/2"	42"

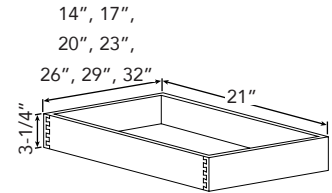
Sink Floor only.
SMSBF4242 to be used in conjunction with SMDCSF42.
*Available only in natural color to match interior of the cabinet.



Roll Out Shelves

Assembled	Ready to Assemble	Width	Height	Depth
Model No.	Model No.			
SMRS18-ASM	SMRS18	14"	3-1/4"	21"
SMRS21-ASM	SMRS21	17"	3-1/4"	21"
SMRS24-ASM	SMRS24	20"	3-1/4"	21"
SMRS27-ASM	SMRS27	23"	3-1/4"	21"
SMRS30-ASM	SMRS30	26"	3-1/4"	21"
SMRS33-ASM	SMRS33	29"	3-1/4"	21"
SMRS36-ASM	SMRS36	32"	3-1/4"	21"

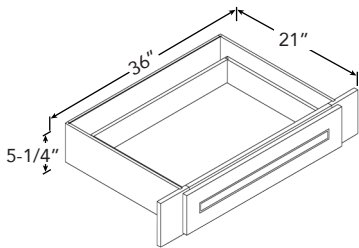
Guides are side mounted ball bearing with a soft-close feature.
Recommended Max Weight: 35 lbs.
*Available only in natural color to match interior of the cabinet.

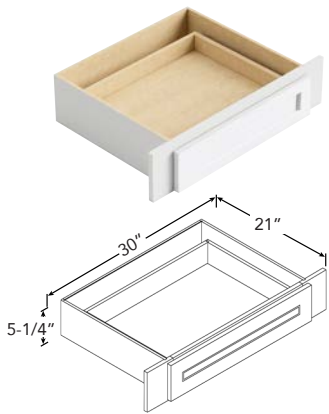


Vanity Knee Drawer

Assembled	Description	Width	Height	Depth
Model No.				
REMINGTON				
SMVKD36-FR01-	Cabinet	36"	5-1/4"	21"
	Drawer Front	33"	4-1/2"	3/4"
	Drawer Box	29"	3-3/8"	18"
LATITUDE				
SMVKD36-FR02-	Cabinet	36"	5-1/4"	21"
	Drawer Front	33"	4-1/2"	3/4"
	Drawer Box	29"	3-3/8"	18"

Trimable to 34"W.



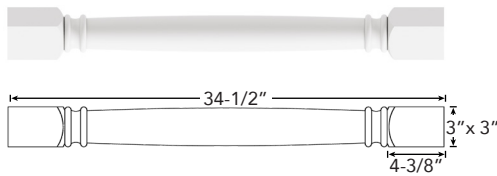


Desk Knee Drawer

Assembled	Description	Width	Height	Depth
REMINGTON				
SMDKD30-FR01-	Cabinet Dimensions	30"	5-1/4"	21"
	Drawer Front	27"	4-1/2"	3/4"
	Drawer Box	23"	3-3/8"	18"
LATITUDE				
SMDKD30-FR02-	Cabinet Dimensions	30"	5-1/4"	21"
	Drawer Front	27"	4-1/2"	3/4"
	Drawer Box	23"	3-3/8"	18"

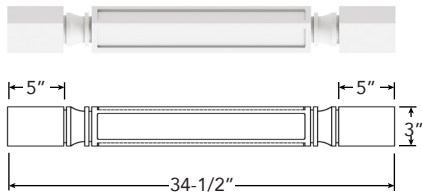
White Now Available
Colors Available 2nd Quarter 2026

Trimmable to 28"W.



Classic Decorative Leg

Model No.	Width	Height	Depth
SMCLDL-	3"	34-1/2"	3"



Square Decorative Leg

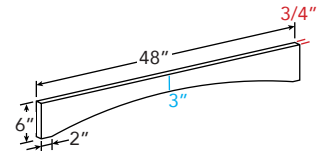
Model No.	Width	Height	Depth
SMSQDL-	3"	34-1/2"	3"



Remington Valance

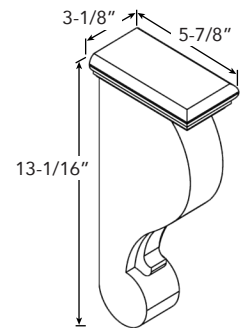
Model No.	Width	Height	Depth
SMVASH48-	48"	6"	3/4"

Trimmable on each side by 1-1/4".
Finished on both sides and two long edges.



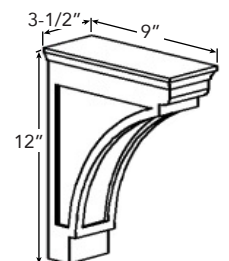
Traditional Corbel

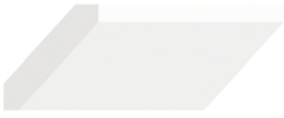
Model No.	Width	Height	Depth
SMCBT-	3-1/8"	13-1/16"	5-7/8"



Modern Corbel

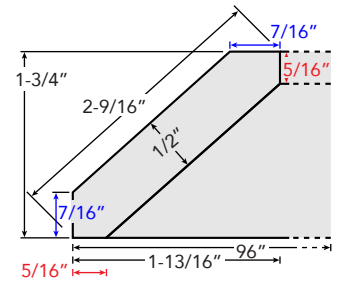
Model No.	Width	Height	Depth
SMMCB-	3-1/2"	12"	9"





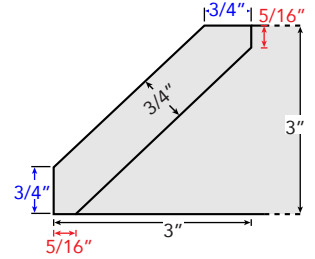
1-3/4" High Angled Crown Molding

Model No.	Width	Height	Depth
SMACM8-	96"	1-3/4"	1-13/16"



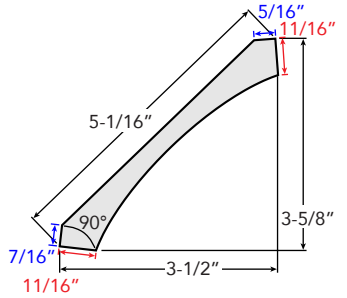
3" High Large Angled Crown Molding

Model No.	Width	Height	Depth
SMLACM8-	96"	3"	3"



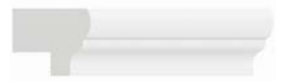
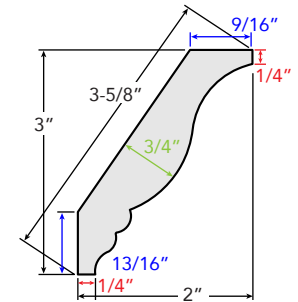
Cove Crown Molding

Model No.	Width	Height	Depth
SMCOV-	96"	3-5/8"	3-1/2"



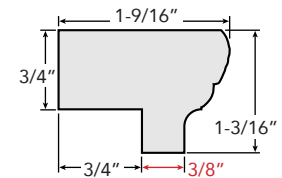
Decorative Crown Molding

Model No.	Width	Height	Depth
SMDCM-	96"	3"	2"



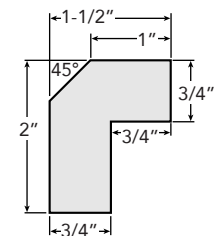
Light Rail Molding

Model No.	Width	Height	Depth
SMLRM-	96"	1-3/16"	1-9/16"



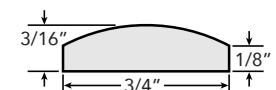
Angled Light Rail Molding

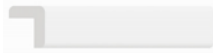
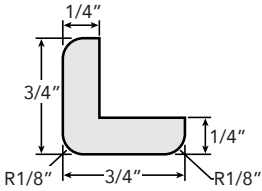
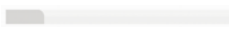
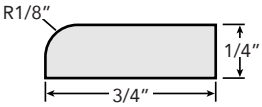
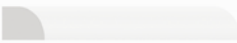
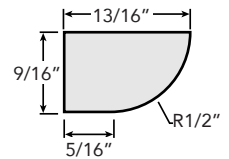

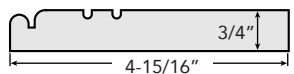

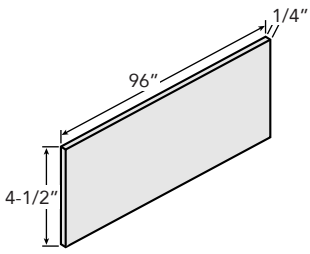
Model No.	Width	Height	Depth
SMALRM-	96"	1-1/2"	2"



Batten Molding

Model No.	Width	Height	Depth
SMBAM-	96"	3/4"	3/16"



	<h3>Outside Corner Molding</h3> <table border="1"> <thead> <tr> <th>Model No.</th> <th>Width</th> <th>Height</th> <th>Depth</th> </tr> </thead> <tbody> <tr> <td>SMOCM-</td> <td>96"</td> <td>3/4"</td> <td>3/4"</td> </tr> </tbody> </table>	Model No.	Width	Height	Depth	SMOCM-	96"	3/4"	3/4"	
Model No.	Width	Height	Depth							
SMOCM-	96"	3/4"	3/4"							
	<h3>Scribe Molding</h3> <table border="1"> <thead> <tr> <th>Model No.</th> <th>Width</th> <th>Height</th> <th>Depth</th> </tr> </thead> <tbody> <tr> <td>SMSCR-</td> <td>96"</td> <td>3/4"</td> <td>1/4"</td> </tr> </tbody> </table>	Model No.	Width	Height	Depth	SMSCR-	96"	3/4"	1/4"	
Model No.	Width	Height	Depth							
SMSCR-	96"	3/4"	1/4"							
	<h3>Shoe Molding / Quarter Round Molding</h3> <table border="1"> <thead> <tr> <th>Model No.</th> <th>Width</th> <th>Height</th> <th>Depth</th> </tr> </thead> <tbody> <tr> <td>SMSHM-</td> <td>96"</td> <td>13/16"</td> <td>9/16"</td> </tr> </tbody> </table>	Model No.	Width	Height	Depth	SMSHM-	96"	13/16"	9/16"	
Model No.	Width	Height	Depth							
SMSHM-	96"	13/16"	9/16"							
	<h3>Furniture Base Molding</h3> <table border="1"> <thead> <tr> <th>Model No.</th> <th>Width</th> <th>Height</th> <th>Depth</th> </tr> </thead> <tbody> <tr> <td>SMFBM-</td> <td>96"</td> <td>4-15/16"</td> <td>3/4"</td> </tr> </tbody> </table>	Model No.	Width	Height	Depth	SMFBM-	96"	4-15/16"	3/4"	
Model No.	Width	Height	Depth							
SMFBM-	96"	4-15/16"	3/4"							
	<h3>Toe Kick Cover</h3> <table border="1"> <thead> <tr> <th>Model No.</th> <th>Width</th> <th>Height</th> <th>Depth</th> </tr> </thead> <tbody> <tr> <td>SMTKC-</td> <td>96"</td> <td>4-1/2"</td> <td>1/4"</td> </tr> </tbody> </table>	Model No.	Width	Height	Depth	SMTKC-	96"	4-1/2"	1/4"	
Model No.	Width	Height	Depth							
SMTKC-	96"	4-1/2"	1/4"							



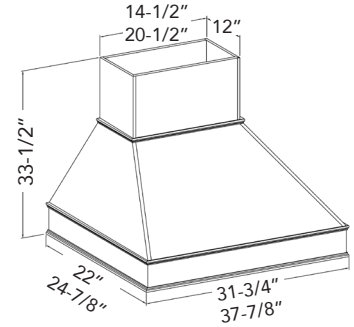
White, Tan Wood & Smokey Grey Now Available

Other Colors Available
2nd Quarter 2026

Wood Hoods

Assembled	Width	Height	Depth
Model No.			
SMWH3019-ASM-	31-3/4"	33-1/2"	22"
SMWH3619-ASM-	37-7/8"	33-1/2"	22"
SMWH3622-ASM-	37-7/8"	33-1/2"	24-7/8"

Recirculating vent or vented hood must be purchased separately.
Front and both side inside edges each have a 2-9/16" adjustable flange.
Back inside edge has a 1-7/16" adjustable flange.
Adjustable flange on each inside edge can be trimmed down to 1".



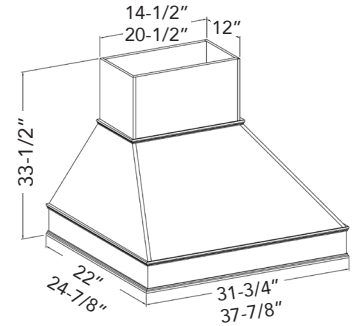
White, Tan Wood & Smokey Grey Now Available

Other Colors Available
2nd Quarter 2026

Wood Hoods with Panel NEW!

Assembled	Width	Height	Depth
Model No.			
K-SMWH3019-ASM-	31-3/4"	33-1/2"	22"
K-SMWH3619-ASM-	37-7/8"	33-1/2"	22"
K-SMWH3622-ASM-	37-7/8"	33-1/2"	24-7/8"

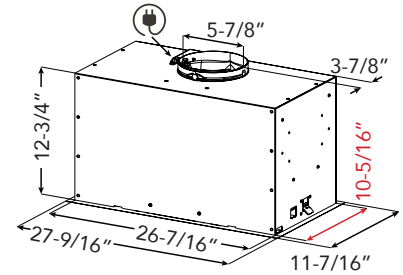
Recirculating vent or vented hood must be purchased separately.
Front and both side inside edges each have a 2-9/16" adjustable flange.
Back inside edge has a 1-7/16" adjustable flange.
Adjustable flange on each inside edge can be trimmed down to 1".
Includes a SMDWR3 panel as a surround for the vents.



Inca Lux Range Hood Insert NEW!

Model No.	Description	Width	Height	Depth
INLX28SSV2	Inca Lux 28" Range Hood Insert, Stainless Steel	27-9/16"	12-3/4"	11-7/16"

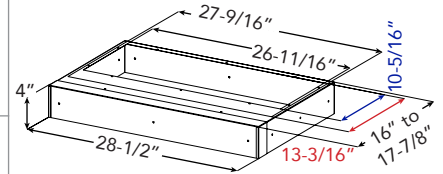
Sound Pro
Variable Air Management
Motor Class: 295/395/600 CFM
Internal Blower included
Venting Type: Convertible
Dishwasher safe mesh grease filter
LED lighting and LED electronic controls
Easy Snap Clip installation; clips included
For use with K-SMWH3019-ASM Wood Hood
Optional accessory for this item: LINE30ST



30" Standard Liner NEW!

Model No.	Description	Width	Height	Depth
LINE30ST	30" Standard Liner, Stainless Steel	28-1/2"	4"	17-7/8"

Includes liner with hardware
Adjustable depth from 16" to 17-7/8"
For use with K-SMWH3019-ASM Wood Hood
Optional accessory for INLX28SSV2 Inca Lux Range Hood Insert



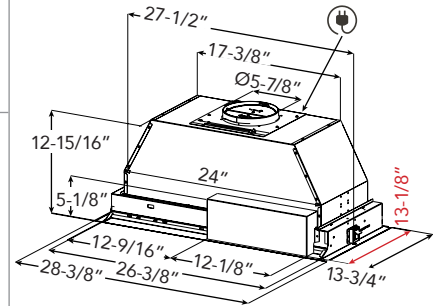


FABER

Inca HC Range Hood Insert NEW!

Model No.	Description	Width	Height	Depth
INHC29SSV	Inca HC 28" Range Hood Insert, Stainless Steel	28-3/8"	12-15/16"	13-3/4"

Variable Air Management
 Motor Class: 295/395/600 CFM
 Internal Blower included
 Venting Type: Convertible
 Dishwasher safe mesh grease filter
 LED lighting and LED electronic controls
 Easy Snap Clip installation; clips included
 For use with K-SMWH3619-ASM and K-SMWH3622-ASM Wood Hoods
 Optional accessory for this item: LINE36ST

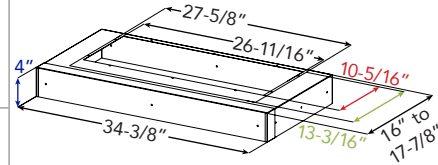


FABER

36" Standard Liner NEW!

Model No.	Description	Width	Height	Depth
LINE36ST	36" Standard Liner, Stainless Steel	34-3/4"	4"	17-7/8"

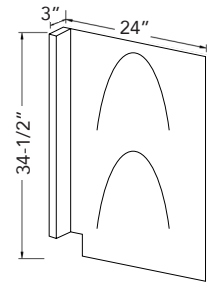
Includes liner with hardware
 Adjustable depth from 16" to 17-7/8"
 For use with K-SMWH3619-ASM and K-SMWH3622-ASM Wood Hoods
 Optional accessory for INHC29SSV Inca HC Range Hood Insert





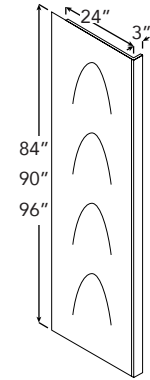
Dishwasher Return Panel

Model No.	Width	Height	Depth
SMDWR3-	3"	34-1/2"	24"



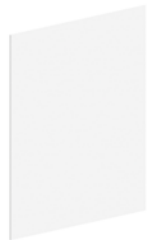
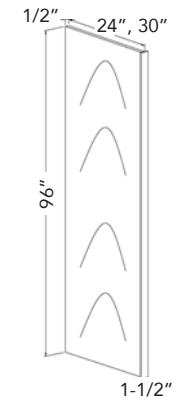
Refrigerator Return Panels

Model No.	Width	Height	Depth
SMRRP2484-3-__	3"	84"	24"
SMRRP2490-3-__	3"	90"	24"
SMRRP2496-3-__	3"	96"	24"



Refrigerator End Panels

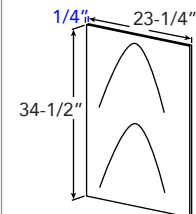
Model No.	Width	Height	Depth
SMREP9624-	1-1/2"	96"	24"
SMREP3096-	1-1/2"	96"	30"



Base Skin Panel

Model No.	Width	Height	Depth
SMBSV-	23-1/4"	34-1/2"	1/4"

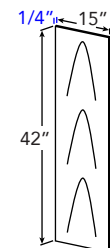
Only finished on one side.



Wall Skin Panel

Model No.	Width	Height	Depth
SMWSV42-	15"	42"	1/4"

Only finished on one side.

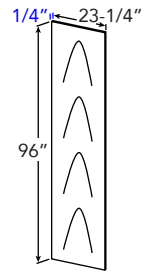




Utility Skin Panel

Model No.	Width	Height	Depth
SMUSV2496-	23-1/4"	96"	1/4"

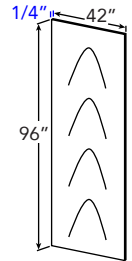
Only finished on one side.



Long Skin Panel

Model No.	Width	Height	Depth
SMFPV4296-	42"	96"	1/4"

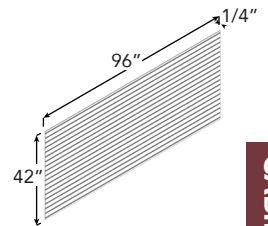
Only finished on one side.



Beaded Island Back Skin Panel

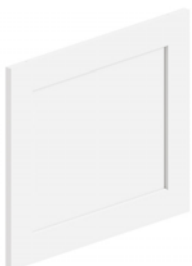
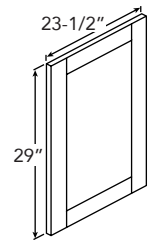
Model No.	Width	Height	Depth
SMBBFPV4296-FR01-	96"	42"	1/4"

Only finished on one side.



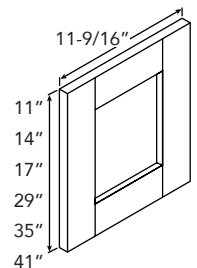
Base Decorative End Panel

Model No.	Width	Height	Depth
REMINGTON			
SMBDEP-FR01-	23-1/2"	29"	3/4"
LATITUDE			
SMBDEP-FR02-	23-1/2"	29"	3/4"



Wall Decorative End Panels

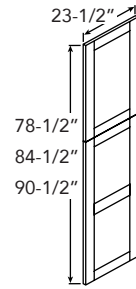
Model No.	Width	Height	Depth
REMINGTON			
SMWDEP1212-FR01-	11-9/16"	11"	3/4"
SMWDEP1215-FR01-	11-9/16"	14"	3/4"
SMWDEP1218-FR01-	11-9/16"	17"	3/4"
SMWDEP1230-FR01-	11-9/16"	29"	3/4"
SMWDEP1236-FR01-	11-9/16"	35"	3/4"
SMWDEP1242-FR01-	11-9/16"	41"	3/4"
LATITUDE			
SMWDEP1212-FR02-	11-9/16"	11"	3/4"
SMWDEP1215-FR02-	11-9/16"	14"	3/4"
SMWDEP1218-FR02-	11-9/16"	17"	3/4"
SMWDEP1230-FR02-	11-9/16"	29"	3/4"
SMWDEP1236-FR02-	11-9/16"	35"	3/4"
SMWDEP1242-FR02-	11-9/16"	41"	3/4"





Tall Decorative End Panels

Model No.	Width	Height	Depth
REMINGTON			
SMTDEP2484-FR01-	23-1/2"	78-1/2"	3/4"
SMTDEP2490-FR01-	23-1/2"	84-1/2"	3/4"
SMTDEP2496-FR01-	23-1/2"	90-1/2"	3/4"
LATITUDE			
SMTDEP2484-FR02-	23-1/2"	78-1/2"	3/4"
SMTDEP2490-FR02-	23-1/2"	84-1/2"	3/4"
SMTDEP2496-FR02-	23-1/2"	90-1/2"	3/4"

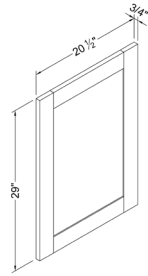


Panels have a horizontal rail in the center for stability, keeping the panel from flexing.



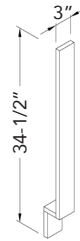
Vanity Decorative End Panel

Model No.	Width	Height	Depth
REMINGTON			
SMVDEP-FR01-	20-1/2"	29"	3/4"
LATITUDE			
SMVDEP-FR02-	20-1/2"	29"	3/4"



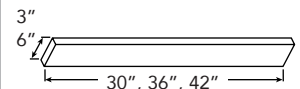
Base Filler

Model No.	Width	Height	Depth
SMBF3-	3"	34-1/2"	3/4"



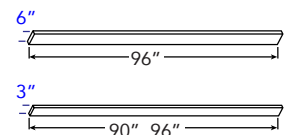
Wall / Base Fillers

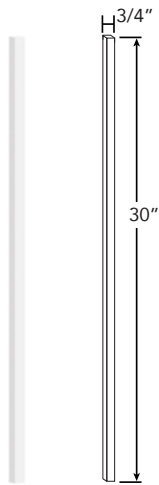
Model No.	Width	Height	Depth
SMWF330-	3"	30"	3/4"
SMWF336-	3"	36"	3/4"
SMWF342-	3"	42"	3/4"
SMWF630-	6"	30"	3/4"
SMWF636-	6"	36"	3/4"
SMWF642-	6"	42"	3/4"



Tall Fillers

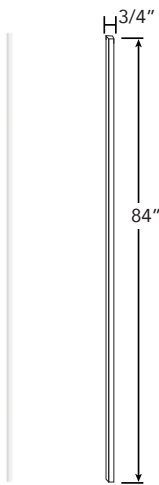
Model No.	Width	Height	Depth
SMF390-	3"	90"	3/4"
SMF396-	3"	96"	3/4"
SMF696-	6"	96"	3/4"





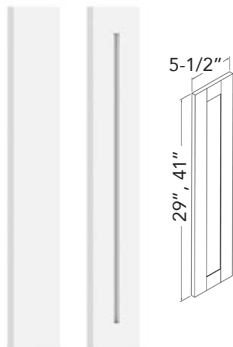
Vanity Fillers

Model No.	Description	Width	Height	Depth
SMVF30-3/4	Dimensions	3/4"	30"	3/4"



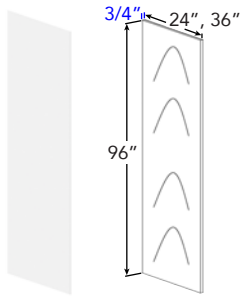
Vanity Tall Fillers

Model No.	Description	Width	Height	Depth
SMVTF84-3/4	Dimensions	3/4"	84"	3/4"



Filler Overlays

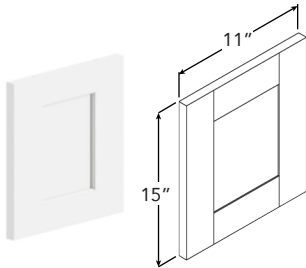
Model No.	Width	Height	Depth
REMINGTON			
SMFOL630-FR01-	5-1/2"	29"	3/4"
SMFOL642-FR01-	5-1/2"	41"	3/4"
LATITUDE			
SMFOL630-FR02-	5-1/2"	29"	3/4"
SMFOL642-FR02-	5-1/2"	41"	3/4"



Finished Shelf Board

Model No.	Description	Width	Height	Depth
SMS2496-	Dimensions	24"	96"	3/4"
SMS3696-	Dimensions	36"	96"	3/4"

One long edge banded to match.
Finished on both sides.



Sample Door

Model No.	Description	Width	Height	Depth
REMINGTON				
SMSAMPLEDOOR-FR01-	Dimensions	11"	15"	3/4"
LATITUDE				
SMSAMPLEDOOR-FR02-	Dimensions	11"	15"	3/4"



Touch-Up Kit

Model No.	Description
SMTOUCHUPKIT-	Cabinet Touch-Up Kit

Includes (1) touch-up marker, (1) touch-up wax stick, and (1) plastic spreader.



Cabinet/Quartz Display Board NEW!

Model No.	Description	Width	Height	Depth
SMCQDB	Cabinet/Quartz Display Board	15"	16-1/4"	1-1/2"

15" x 16-1/4" Double-Sided Display Board

Mounted on one side:

(4) 2-3/4" x 4" Cabinet Color Samples in Smokey Grey, Light Grey, Navy Blue, and Green

(6) 4" x 4" Quartz color samples in Mia White, White Carrara, Marble Grey, Black Carrara, Awaken Gold, and Misty Grey

Mounted on the other side:

(1) 11-3/4" x 5-7/8" Remington Sample in White

(1) 11-3/4" x 5-7/8" Latitude Sample in Tan Wood

Hardware Colors

*Actual product color may vary slightly.



Brushed Gold
MDB



Polished Chrome
026



Brushed Nickel
BPN



Matte Black
055

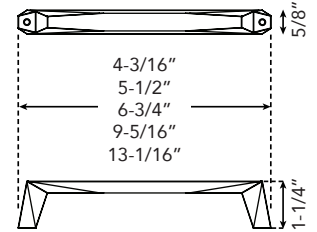


Champagne
0CZ

Swagger Modern Pull



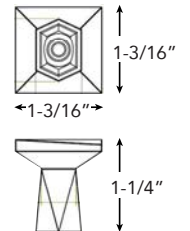
Model No.	Description	Width	Height	Depth
2387-1MDB-P	Brushed Gold 96mm CC Modern Pull	4-3/16"	1-1/4"	5/8"
2388-1026-P	Polished Chrome 96mm CC Modern Pull	4-3/16"	1-1/4"	5/8"
2386-1BPN-P	Brushed Nickel 96mm CC Modern Pull	4-3/16"	1-1/4"	5/8"
2395-1055-P	Matte Black 96mm CC Modern Pull	4-3/16"	1-1/4"	5/8"
2364-1MDB-P	Brushed Gold 128mm CC Modern Pull	5-1/2"	1-1/4"	5/8"
2313-1026-P	Polished Chrome 128mm CC Modern Pull	5-1/2"	1-1/4"	5/8"
2312-1BPN-P	Brushed Nickel 128mm CC Modern Pull	5-1/2"	1-1/4"	5/8"
2396-1055-P	Matte Black 128mm CC Modern Pull	5-1/2"	1-1/4"	5/8"
2365-1MDB-P	Brushed Gold 160mm CC Modern Pull	6-3/4"	1-1/4"	5/8"
2316-1026-P	Polished Chrome 160mm CC Modern Pull	6-3/4"	1-1/4"	5/8"
2315-1BPN-P	Brushed Nickel 160mm CC Modern Pull	6-3/4"	1-1/4"	5/8"
2397-1055-P	Matte Black 160mm CC Modern Pull	6-3/4"	1-1/4"	5/8"
2366-1MDB-P	Brushed Gold 224mm CC Modern Pull	9-5/16"	1-1/4"	5/8"
2319-1026-P	Polished Chrome 224mm CC Modern Pull	9-5/16"	1-1/4"	5/8"
2318-1BPN-P	Brushed Nickel 224mm CC Modern Pull	9-5/16"	1-1/4"	5/8"
2398-1055-P	Matte Black 224mm CC Modern Pull	9-5/16"	1-1/4"	5/8"
2367-1MDB-P	Brushed Gold 320mm CC Modern Pull	13-1/16"	1-1/4"	5/8"
2322-1026-P	Polished Chrome 320mm CC Modern Pull	13-1/16"	1-1/4"	5/8"
2321-1BPN-P	Brushed Nickel 320mm CC Modern Pull	13-1/16"	1-1/4"	5/8"
2411-1055-P	Matte Black 320mm CC Modern Pull	13-1/16"	1-1/4"	5/8"



Swagger Modern Knob



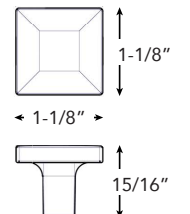
Model No.	Description	Width	Height	Depth
2368-1MDB-P	Brushed Gold Modern Knob	1-3/16"	1-1/4"	1-3/16"
2325-1026-P	Polished Chrome Modern Knob	1-3/16"	1-1/4"	1-3/16"
2324-1BPN-P	Brushed Nickel Modern Knob	1-3/16"	1-1/4"	1-3/16"
2394-1055-P	Matte Black Modern Knob	1-3/16"	1-1/4"	1-3/16"



Contemporary Advantage One Square Knob



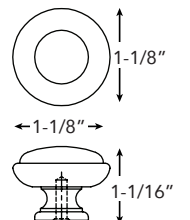
Model No.	Description	Width	Height	Depth
0949-1BPN-P	Brushed Nickel Square Knob	1-1/8"	15/16"	1-1/8"
0950-1026-P	Polished Chrome Square Knob	1-1/8"	15/16"	1-1/8"
0951-1055-P	Matte Black Square Knob	1-1/8"	15/16"	1-1/8"
0952-10CZ-P	Champagne Square Knob	1-1/8"	15/16"	1-1/8"



Traditional Advantage One Round Knob



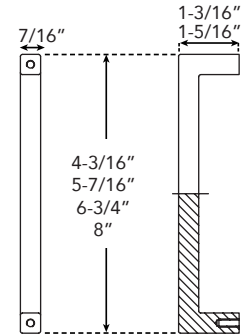
Model No.	Description	Width	Height	Depth
0911-126-P	Polished Chrome Round Knob	1-1/8"	1-1/16"	1-1/8"
0913-1BPN-P	Brushed Nickel Round Knob	1-1/8"	1-1/16"	1-1/8"
9021-1055-P	Matte Black Round Knob	1-1/8"	1-1/16"	1-1/8"
0912-10CZ-P	Champagne Round Knob	1-1/8"	1-1/16"	1-1/8"



Contemporary Advantage One Square Pull



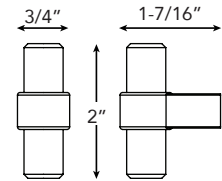
Model No.	Description	Width	Height	Depth
9009-4BPN-P	Brushed Nickel 96mm CC Square Pull	4-3/16"	1-3/16"	7/16"
9010-4026-P	Polished Chrome 96mm CC Square Pull	4-3/16"	1-3/16"	7/16"
9011-4055-P	Matte Black 96mm CC Square Pull	4-3/16"	1-3/16"	7/16"
9025-40CZ-P	Champagne 96mm CC Square Pull	4-3/16"	1-3/16"	7/16"
9012-4BPN-P	Brushed Nickel 128mm CC Square Pull	5-7/16"	1-3/16"	7/16"
9013-4026-P	Polished Chrome 128mm CC Square Pull	5-7/16"	1-3/16"	7/16"
9014-4055-P	Matte Black 128mm CC Square Pull	5-7/16"	1-3/16"	7/16"
9026-40CZ-P	Champagne 128mm CC Square Pull	5-7/16"	1-3/16"	7/16"
9015-4BPN-P	Brushed Nickel 160mm CC Square Pull	6-3/4"	1-3/16"	7/16"
9016-4026-P	Polished Chrome 160mm CC Square Pull	6-3/4"	1-3/16"	7/16"
9017-4055-P	Matte Black 160mm CC Square Pull	6-3/4"	1-3/16"	7/16"
9027-40CZ-P	Champagne 160mm CC Square Pull	6-3/4"	1-3/16"	7/16"
9018-4BPN-P	Brushed Nickel 192mm CC Square Pull	8"	1-5/16"	7/16"
9019-4026-P	Polished Chrome 192mm CC Square Pull	8"	1-5/16"	7/16"
9020-4055-P	Matte Black 192mm CC Square Pull	8"	1-5/16"	7/16"
9028-40CZ-P	Champagne 192mm CC Square Pull	8"	1-5/16"	7/16"



Radial Reign Modern Knob



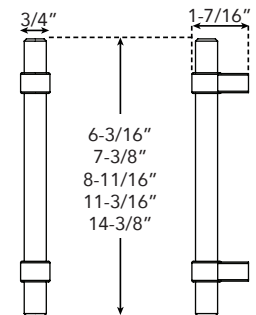
Model No.	Description	Width	Height	Depth
5030-4026-P	Polished Chrome Modern Knob	2"	1-7/16"	3/4"
5024-4BPN-P	Brushed Nickel Modern Knob	2"	1-7/16"	3/4"
5036-4055-P	Matte Black Modern Knob	2"	1-7/16"	3/4"
5048-4MDB-P	Brushed Gold Modern Knob	2"	1-7/16"	3/4"



Radial Reign Modern Pull



Model No.	Description	Width	Height	Depth
5031-4026-P	Polished Chrome 96mm Modern Pull	6-3/16"	1-7/16"	3/4"
5025-4BPN-P	Brushed Nickel 96mm Modern Pull	6-3/16"	1-7/16"	3/4"
5037-4055-P	Matte Black 96mm Modern Pull	6-3/16"	1-7/16"	3/4"
5049-4MDB-P	Brushed Gold 96mm Modern Pull	6-3/16"	1-7/16"	3/4"
5032-4026-P	Polished Chrome 128mm Modern Pull	7-3/8"	1-7/16"	3/4"
5026-4BPN-P	Brushed Nickel 128mm Modern Pull	7-3/8"	1-7/16"	3/4"
5038-4055-P	Matte Black 128mm Modern Pull	7-3/8"	1-7/16"	3/4"
5050-4MDB-P	Brushed Gold 128mm Modern Pull	7-3/8"	1-7/16"	3/4"
5033-4026-P	Polished Chrome 160mm Modern Pull	8-11/16"	1-7/16"	3/4"
5027-4BPN-P	Brushed Nickel 160mm Modern Pull	8-11/16"	1-7/16"	3/4"
5039-4055-P	Matte Black 160mm Modern Pull	8-11/16"	1-7/16"	3/4"
5051-4MDB-P	Brushed Gold 160mm Modern Pull	8-11/16"	1-7/16"	3/4"
5034-4026-P	Polished Chrome 224mm Modern Pull	11-3/16"	1-7/16"	3/4"
5028-4BPN-P	Brushed Nickel 224mm Modern Pull	11-3/16"	1-7/16"	3/4"
5040-4055-P	Matte Black 224mm Modern Pull	11-3/16"	1-7/16"	3/4"
5052-4MDB-P	Brushed Gold 224mm Modern Pull	11-3/16"	1-7/16"	3/4"
5035-4026-P	Polished Chrome 12" Modern Pull	14-3/8"	1-7/16"	3/4"
5029-4BPN-P	Brushed Nickel 12" Modern Pull	14-3/8"	1-7/16"	3/4"
5041-4055-P	Matte Black 12" Modern Pull	14-3/8"	1-7/16"	3/4"
5053-4MDB-P	Brushed Gold 12" Modern Pull	14-3/8"	1-7/16"	3/4"



Smokey Grey

Shown with SMVM3634-MR-FR01-SG mirror and SMV3621DR-ASM-FR01-SG vanity combo base cabinet.



SAMUEL
MÜLLER

MIRRORS

Standing elegantly at 34-inches high, the framed vanity mirror boasts a plywood frame that comes in both Remington and Latitude styles and in six colors to seamlessly integrate with your vanity cabinet. Their six versatile widths offer the perfect size to suite your space. For a touch of modern luxury, we also offer LED mirrors in various sizes. These mirrors are designed with a 5mm thick construction, providing a robust yet sleek profile. The LED option includes energy-efficient lighting and can be controlled via a wall switch or a touch on/off sensor for ease of use and added convenience.

Our mirror collection boasts options to suite your taste from classic elegance of the Remington style vanity framed mirror to modern minimalism of the Latitude style vanity framed mirror to modern innovation of the frameless LED mirror. These mirrors offer the perfect finishing touch to elevate your bathroom's design and functionality.



Eclipse **SMLME3524**

High quality 5mm wall mirrors with illuminating LED lighting. Adaptable for wall switch or touch on/off sensor on mirror. Includes power supply, mounting hardware. Approx. 50,000 hours, 15 watts, 120v. UL approved components. Requires hard wiring.



**Touch On/Off
Sensor on Mirror**



Light On



Light Off



Touch Sensor On

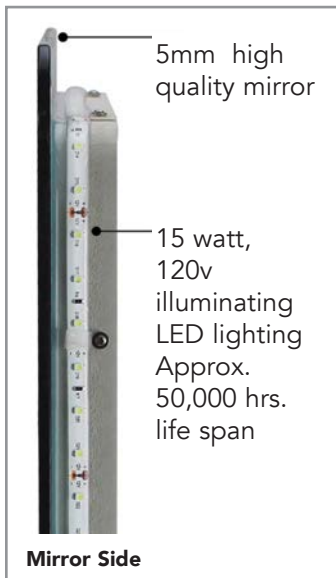


Touch Sensor Off



Mirror Back

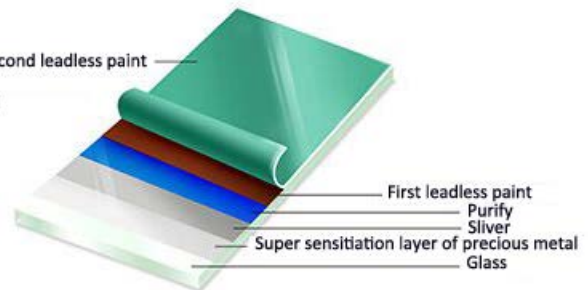
UL Approved
Includes power supply
and hardware
Adaptable for wall switch
or touch on/off sensor on
mirror



Mirror Side

LED Mirror Production Process

- Glass
- ↓
- Polish
- ↓
- Super sensitiation layer of precious metal
- ↓
- Sliver
- ↓
- Purify
- ↓
- First leadless paint
- ↓
- Second leadless paint



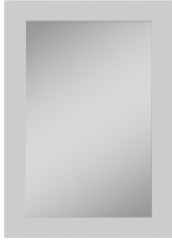
Mateo SMLMM4728



Fargo SMLMF3020



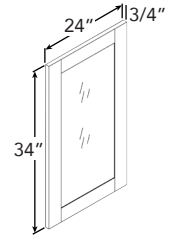
Hayden SMLMH2623L and SMLMH2623R



24" Framed Mirror

Model No.	Width	Height	Depth
REMINGTON			
SMVM2434-MR-FR01-	24"	34"	3/4"
LATITUDE			
SMVM2434-MR-FR02-	24"	34"	3/4"

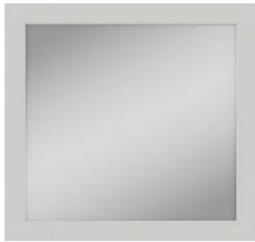
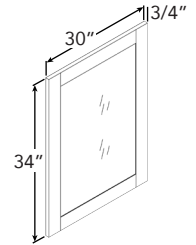
3" width solid birch Remington frame. 2" width solid birch Latitude frame.
Colors match vanity cabinet colors.



30" Framed Mirror

Model No.	Width	Height	Depth
REMINGTON			
SMVM3034-MR-FR01-	30"	34"	3/4"
LATITUDE			
SMVM3034-MR-FR02-	30"	34"	3/4"

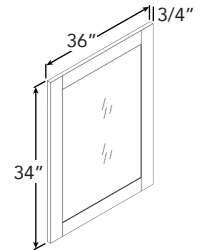
3" width solid birch Remington frame. 2" width solid birch Latitude frame.
Colors match vanity cabinet colors.



36" Framed Mirror

Model No.	Width	Height	Depth
REMINGTON			
SMVM3634-MR-FR01-	36"	34"	3/4"
LATITUDE			
SMVM3634-MR-FR02-	36"	34"	3/4"

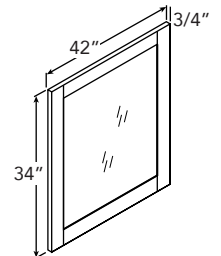
3" width solid birch Remington frame. 2" width solid birch Latitude frame.
Colors match vanity cabinet colors.

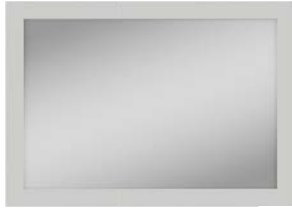


42" Framed Mirror

Model No.	Width	Height	Depth
REMINGTON			
SMVM4234-MR-FR01-	42"	34"	3/4"
LATITUDE			
SMVM4234-MR-FR02-	42"	34"	3/4"

3" width solid birch Remington frame. 2" width solid birch Latitude frame.
Colors match vanity cabinet colors.

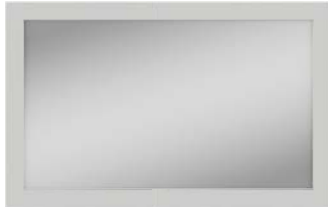
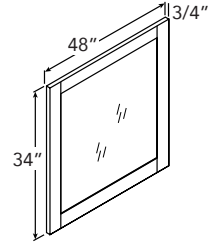




48" Framed Mirror

Model No.	Width	Height	Depth
REMINGTON			
SMVM4834-MR-FR01-	48"	34"	3/4"
LATITUDE			
SMVM4834-MR-FR02-	48"	34"	3/4"

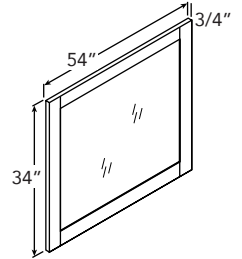
3" width solid birch Remington frame. 2" width solid birch Latitude frame.
Colors match vanity cabinet colors.



54" Framed Mirror

Model No.	Width	Height	Depth
REMINGTON			
SMVM5434-MR-FR01-	54"	34"	3/4"
LATITUDE			
SMVM5434-MR-FR02-	54"	34"	3/4"

3" width solid birch Remington frame. 2" width solid birch Latitude frame.
Colors match vanity cabinet colors.



Group A
COLOR



Tan Wood **TW**

Group B
COLOR



White **WH**

Group C COLORS



Green **GR**



Light Grey **LG**

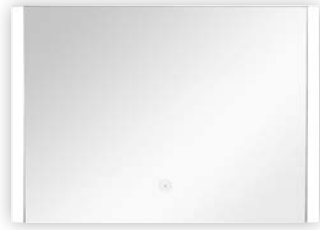


Navy Blue **NB**



Smokey Grey **SG**

*Actual product color may vary slightly.



ECLIPSE LED ILLUMINATED MIRROR

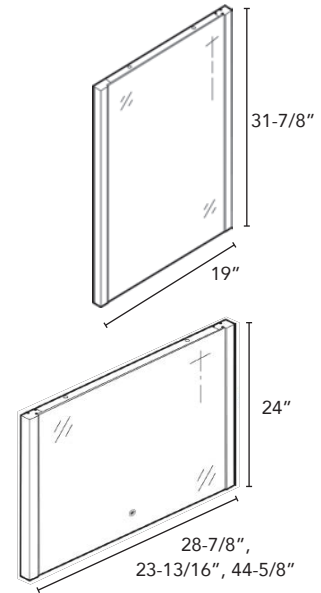
SPECIFICATIONS

Size: W19" x H31-7/8"
W28-7/8" x H24"
W23-13/16" x H24"
W44-5/8" x H24"

Ship Wt: 14.82 lbs.
Ship Wt: 15.65 lbs.
Ship Wt: 19.40 lbs.
Ship Wt: 25.13 lbs.

High quality 5mm wall mirror with illuminating LED lighting. Adaptable for wall switch or touch on/off sensor on mirror. Includes power supply, mounting hardware. Approx. 50,000 hours, 15 watts, 120v. UL approved components. Requires hard wiring. This mirror is front lite.

Model	Description
SMLME2232	19" x 31-7/8" LED Mirror
SMLME3124	28-7/8" x 24" LED Mirror
SMLME3524	23-13/16" x 24" LED Mirror
SMLME4724	44-5/8" x 24" LED Mirror



MATEO LED ILLUMINATED MIRROR

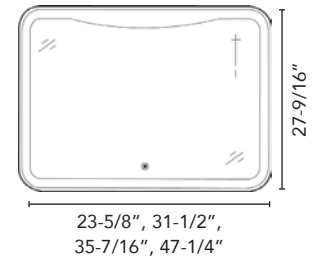
SPECIFICATIONS

Size: W23-5/8" x H27-9/16"
W31-1/2" x H27-9/16"
W35-7/16" x H27-9/16"
W47-1/4" x H27-9/16"

Ship Wt: 14.22 lbs.
Ship Wt: 25.13 lbs.
Ship Wt: 27.78 lbs.
Ship Wt: 32.85 lbs.

High quality 5mm wall mirror with illuminating LED lighting. Adaptable for wall switch or touch on/off sensor on mirror. Includes power supply, mounting hardware. Approx. 50,000 hours, 15 watts, 120v. UL approved components. Requires hard wiring. This mirror is front lite.

Model	Description
SMLMM2428	23-5/8" x 27-9/16" LED Mirror
SMLMM3128	31-1/2" x 27-9/16" LED Mirror
SMLMM3528	35-7/16" x 27-9/16" LED Mirror
SMLMM4728	47-1/4" x 27-9/16" LED Mirror



GRIFFIN LED ILLUMINATED MIRROR

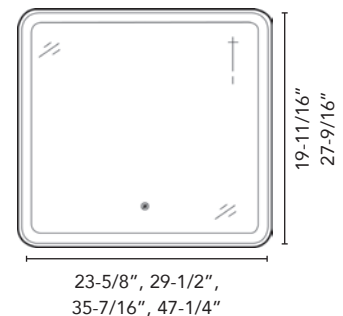
SPECIFICATIONS

Size: W23-5/8" x H19-11/16"
W29-1/2" x H27-9/16"
W35-7/16" x H27-9/16"
W47-1/4" x H27-9/16"

Ship Wt: 8.16 lbs.
Ship Wt: 16.76 lbs.
Ship Wt: 20.50 lbs.
Ship Wt: 26.65 lbs.

High quality 5mm wall mirror with illuminating LED lighting. Adaptable for wall switch or touch on/off sensor on mirror. Includes power supply, mounting hardware. Approx. 50,000 hours, 15 watts, 120v. UL approved components. Requires hard wiring. This mirror is front lite.

Model	Description
SMLMG2420	23-5/8" x 19-11/16" LED Mirror
SMLMG3028	29-1/2" x 27-9/16" LED Mirror
SMLMG3528	35-7/16" x 27-9/16" LED Mirror
SMLMG4728	47-1/4" x 27-9/16" LED Mirror





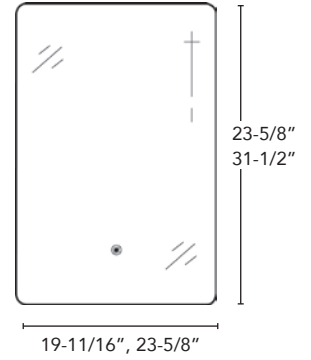
SULLIVAN LED ILLUMINATED MIRROR

SPECIFICATIONS

Size: W19-11/16" x H23-5/8" Ship Wt: 8.16 lbs.
W23-5/8" x H31-1/2" Ship Wt: 23.15 lbs.

High quality 5mm wall mirror with illuminating LED lighting. Adaptable for wall switch or touch on/off sensor on mirror. Includes power supply, mounting hardware. Approx. 50,000 hours, 15 watts, 120v. UL approved components. Requires hard wiring. This mirror is back lite.

Model	Description
SMLMS2024	19-11/16" x 23-5/8" LED Mirror
SMLMS2431	23-5/8" x 31-1/2" LED Wall Mirror



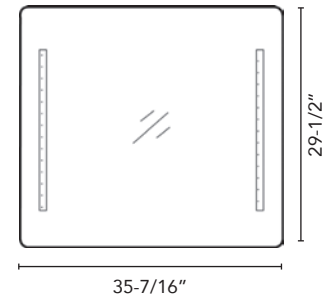
VENICE LED ILLUMINATED MIRROR

SPECIFICATIONS

Size: W35-7/16" x H29-1/2" Ship Wt: 24.46 lbs.

High quality 5mm wall mirror with illuminating LED lighting. Adaptable for wall switch or touch on/off sensor on mirror. Includes power supply, mounting hardware. Approx. 50,000 hours, 15 watts, 120v. UL approved components. Requires hard wiring. This mirror is front lite.

Model	Description
SMLMV3530	35-7/16" x 29-1/2" LED Mirror



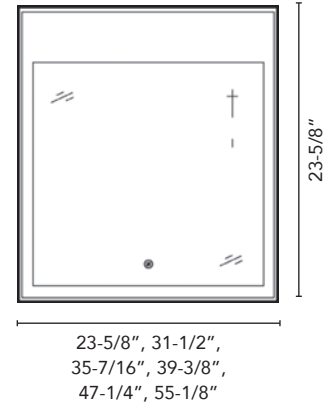
TOLEDO LED ILLUMINATED MIRROR

SPECIFICATIONS

Size: W23-5/8" x H23-5/8" Ship Wt: 13.03 lbs.
W31-1/2" x H23-5/8" Ship Wt: 14.79 lbs.
W35-7/16" x H23-5/8" Ship Wt: 16.54 lbs.
W39-3/8" x H23-5/8" Ship Wt: 18.14 lbs.
W47-1/4" x H23-5/8" Ship Wt: 21.50 lbs.
W55-1/8" x H23-5/8" Ship Wt: 24.87 lbs.

High quality 5mm wall mirror with illuminating LED lighting. Adaptable for wall switch or touch on/off sensor on mirror. Includes power supply, mounting hardware. Approx. 50,000 hours, 15 watts, 120v. UL approved components. Requires hard wiring. This mirror is back lite.

Model	Description
SMLMT2424	23-5/8" x 23-5/8" LED Mirror
SMLMT3124	31-1/2" x 23-5/8" LED Mirror
SMLMT3524	35-7/16" x 23-5/8" LED Mirror
SMLMT3924	39-3/8" x 23-5/8" LED Mirror
SMLMT4724	47-1/4" x 23-5/8" LED Mirror
SMLMT5524	55-1/8" x 23-5/8" LED Mirror





SMLMH2623L

SMLMH2623R

HAYDEN LED ILLUMINATED MIRROR

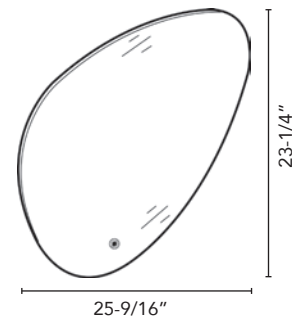
SPECIFICATIONS

Size: W25-9/16" x H23-1/4"

Ship Wt: 9.92 lbs.

High quality 5mm wall mirror with illuminating LED lighting. Adaptable for wall switch or touch on/off sensor on mirror. Includes power supply, mounting hardware. Approx. 50,000 hours, 15 watts, 120v. UL approved components. Requires hard wiring. This mirror is back lite.

Model	Description
SMLMH2623L	25-9/16" x 23-1/4" LED Mirror Left
SMLMH2623R	25-9/16" x 23-1/4" LED Mirror Right

**CAMILA LED ILLUMINATED MIRROR**

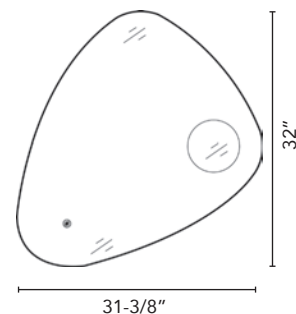
SPECIFICATIONS

Size: W31-3/8" x H32"

Ship Wt: 58.86 lbs.

High quality 5mm wall mirror with illuminating LED lighting. Custom 2X magnification inserted into mirror. Adaptable for wall switch or touch on/off sensor on mirror. Includes power supply, mounting hardware. Approx. 50,000 hours, 15 watts, 120v. UL approved components. Requires hard wiring. This mirror is back lite.

Model	Description
SMLMC3132	31-3/8" x 32" LED Mirror

**GABLE LED ILLUMINATED MIRROR**

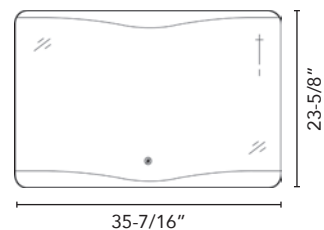
SPECIFICATIONS

Size: W35-7/16" x H23-5/8"

Ship Wt: 23.15 lbs.

High quality 5mm wall mirror with illuminating LED lighting. Adaptable for wall switch or touch on/off sensor on mirror. Includes power supply, mounting hardware. Approx. 50,000 hours, 15 watts, 120v. UL approved components. Requires hard wiring. This mirror is back lite.

Model	Description
SMLMG3524	35-7/16" x 23-5/8" LED Mirror

**FARGO LED ILLUMINATED MIRROR**

SPECIFICATIONS

Size: W23-5/8" x H21-5/8"

Ship Wt: 11.91 lbs.

W29-1/2" x H21-5/8"

Ship Wt: 14.00 lbs.

W35-7/16" x H21-5/8"

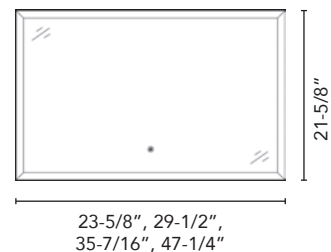
Ship Wt: 16.54 lbs.

W47-1/4" x H21-5/8"

Ship Wt: 21.54 lbs.

High quality 5mm wall mirror with illuminating LED lighting. Adaptable for wall switch or touch on/off sensor on mirror. Includes power supply, mounting hardware. Approx. 50,000 hours, 15 watts, 120v. UL approved components. Requires hard wiring. This mirror is back lite.

Model	Description
SMLMF2422	23-5/8" x 21-5/8" LED Mirror
SMLMF3022	29-1/2" x 21-5/8" LED Mirror
SMLMF3522	35-7/16" x 21-5/8" LED Mirror
SMLMF4722	47-1/4" x 21-5/8" LED Mirror





VANITY TOPS

*Exceptional Value
Beautiful Colors
Quality Materials
Style and Function*



MARBLE GREY QUARTZ VANITY TOP - EASED EDGE

VANITY TOPS

new and existing construction

VANITY TOPS



Quartz

Sizes

25" x 22-1/2"	SMVTQU2522-
31" x 22-1/2"	SMVTQU3122-
37" x 22-1/2"	SMVTQU3722-
49" x 22-1/2"	SMVTQU4922-
61" x 22-1/2"	SMVTQU6122D-

Available Hole Placements:

Ctr (1), 4" cc (4), or 8" cc (8)

Example: SMVTQU2522-1

Quartz Colors

Classic	Marble Pattern			
Mia White C01	White Carrara M10	Marble Grey M20	Black Carrara M30	Awaken Gold M40

*Actual product color may vary slightly.

STOCK VANITY TOPS

Material	*QUARTZ	
	Classic	Marble
Length		
**STOCKED TOPS		
25"		
31"		
37"		
43"		
49"		
61"		
61" Double		
side splash		

*Stock vanity tops come with (1) backsplash and (1) Hensley undermount rectangular bowl attached to the vanity top.

*Stock Quartz only available in Mia White, White Carrara, Marble Grey, Black Carrara, and Awaken Gold.

**Available now, except Awaken Gold. Awaken Gold available 2nd Quarter 2026.



MINI CUSTOM VANITY TOPS

*Actual product color may vary slightly.

Quartz Colors

Mia White C01	White Carrara M10	Marble Grey M20	Black Carrara M30	Awaken Gold M40	Misty Grey M50

Solid Surface Colors

White 01	Carrara 47	Butterscotch 48	Creme 49	Moonstone 50

NEW! Solid Surface Colors

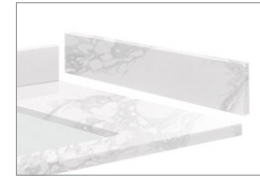
Sedimentary 71	Life Tree 72	Fossil 73	Castle Grey 74	Roman Walnut 75	Pure White PW11



FRONT EDGE PROFILES
Eased Edge included on Mini Custom



BACKSPLASH
Loose 4" high included on Mini Custom



UNIVERSAL SIDE SPLASH
Loose 4" high included on Mini Custom

MINI CUSTOM VANITY TOPS

Material	QUARTZ	SOLID SURFACE
Length	CUSTOM	
Up to 25-in		
Up to 31-in		
Up to 37-in		
Up to 43-in		
Up to 49-in		
Up to 61-in		
Up to 73-in		
Up to 85-in		
Up to 97-in		

ADD TO VANITY TOP
Double Bowl Cutout (available on 49" or greater)
Universal Side Splash

CHOICE OF BOWLS

VITREOUS CHINA Undermount



SML-1530 Millwood 17"x14"
White 01, Biscuit 08 (included)



SML-1580 Hensley 18"x12"
White 01



SML-1570 Vail 17"x13"
White 01

VITREOUS CHINA Undermount for 19" D tops



SML-1520 Millwood 15"x12"
White 01



SML-1590 Hensley 16"x11"
White 01

VITREOUS CHINA Vessels



SML-1620 Tahoe 20"x14"x4-3/8"
White 01



SML-1630 Aberdeen 16-1/2"Dia.x5"
White 01



SML-1640 Fresno 24"x16"x5"
White 01

MARBLE & FIRECLAY Vessels



SM-FO4012 Medford marble
15-3/4"x15-3/4"x4-3/4" Black



SMVSL047 Malden fireclay
16-3/4"Dx5-3/4" White/Green

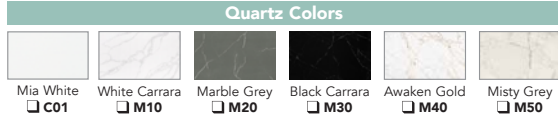
Mini Custom Tops: Economical 22-1/4" Deep Slabs cut to length Order Form

Eased Edge, Limited Colors and Bowls (*Actual product color may vary slightly.)

1. Material

QUARTZ Vanity Top includes 4" Loose Backsplash & (1) 4" Loose Universal Side Splash

SOLID SURFACE Vanity Top includes 4" Integral Backsplash & (1) 4" Loose Universal Side Splash



2. Length

Length _____ inches X 22-1/4" Depth

*Note: Each vanity cabinet includes an optional 3/4" filler (SMVF30-3/4)

3. Vanity Bowl

Based on vanity top size and material, choose a bowl and a bowl color.

- No Cutout Vessel Bowl (see below)
 Customer Supplied Vessel Bowl Undermount Bowl (see below)

Image	Name	Qty	Size	Color
Undermount Vitreous China Bowl (see pages 87-88)				
	Millwood		19 x 15-7/8 x 8 Bowl: 16-1/2 x 13-5/8	White
	Hensley		20-1/4 x 14-1/4 x 8-1/8 Bowl: 18 x 12	White
	Vail		19-13/16 x 15-5/8 x 6-3/4 Bowl: 17 x 13	White
Vessel Vitreous China Bowls (see page 88)				
	Tahoe		19-5/8 x 14-1/8 x 4-3/8	White
	Aberdeen		16-1/2 Dia. x 5-1/8	White
	Frenso		23-5/8 x 15-3/4 x 5-1/8	White
Vessel Bowls (see page 89)				
	Malden Fireclay		16-3/4 Dia. x 5-3/4	White/ Green
	Medford Marble		15-3/4 Dia. x 4-3/4	Black Marble

4. Faucet Drilling

- None Single hole 4" Spread 8" Spread

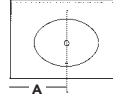
5. Additional Side Splash

- None One Universal

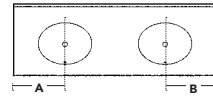
6a. Bowl Placement

Single Bowl

- Centered or
 _____ inches (A)
 from left edge to bowl center OR Double Bowl (undermount) Available on vanity tops of 49" or greater

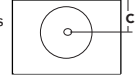


Bowl A is _____ inches from left edge to bowl center. Minimum of 12"
 Bowl B is _____ inches from right edge to bowl center. Minimum of 12"



6b. Vessel Bowl only

Vessel Bowl In addition to bowl placement dimensions at left also indicate bowl depth from back of top to center of drain.

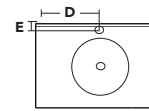


_____ inches (C) Depth to center of drain.
 Bowl drain drilling is 1 1/4" dia.

6c. Vessel faucet hole

Indicate faucet hole placement:

- _____ Inches (D) length from left
 _____ If double bowl, inches from right
 _____ Inches (E) depth from back



7. Vanity Top Prices

Custom Length
Up to 25-in
Up to 31-in
Up to 37-in
Up to 43-in
Up to 49-in
Up to 61-in
Up to 73-in
Up to 85-in
Up to 97-in
Side splash

8. Calculate Order

Vanity Top Price (see #7) _____ Side Splash Price (see #5) _____
 Vanity Bowl Price (see #3) _____ Total Vanity Top Price _____
 Double Bowl Price (see #6) _____

9. Complete Your Order

Take completed order form to a Sales Associate to complete the purchase of your Mini Custom Length Vanity Top. All of our vanity tops are non-cancelable and non-refundable.

Name (please print) _____
 Address _____
 City _____ State _____ Zip _____
 Phone _____
 Signature **X** _____

DEALER USE ONLY Fax this form with a P.O. to (330) 399-4426

Company _____ Sales Associate _____
 Address _____
 City _____ State _____ Zip _____
 Phone _____ Fax _____
 Date _____ PO# _____


 SAMUEL
MÜELLER


TAHOE SML-1620

LAVATORIES

Transform your bathroom with our premium selection of lavatory sinks, combining timeless designs with exceptional quality. Whether you're remodeling or starting from scratch, our range of lavatory sinks is crafted to meet every style and functional need. Explore a variety of styles and materials designed to complement any bathroom aesthetic.

MILLWOOD
SMLP-1444

Our pedestal sinks offer a classic, clean look while maximizing space. Crafted from durable vitreous china, they provide a smooth, non-porous surface that's easy to clean and built to last. The contemporary styling blends seamlessly with a variety of décor themes, from modern to transitional. Designed with 4" center faucet holes for easy fixture compatibility, this sink also features a concealed overflow to maintain a sleek appearance while helping prevent accidental spills.

LAVATORIES

new and existing construction

LAVATORIES

PEDESTALS Pedestal & Drop-In



MILLWOOD PETITE PEDESTAL LAVATORY

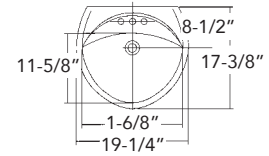
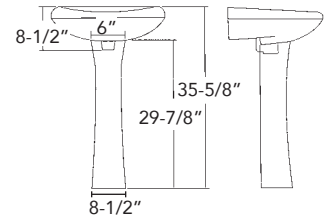


SPECIFICATIONS

SMLP-1444 Combination: L19 $\frac{1}{4}$ " x W17 $\frac{3}{8}$ " x H35 $\frac{5}{8}$ "SML-1444 Lav L19 $\frac{1}{4}$ " x W17 $\frac{3}{8}$ " x H5 $\frac{1}{4}$ "SMP-1440 Pedestal L8 $\frac{1}{2}$ " x W8 $\frac{1}{2}$ " x H29 $\frac{7}{8}$ "

Vitreous china. Full luxury height. Contemporary styled lavatory and pedestal. Lavatory feature 4" center faucet hole drillings and concealed overflow. K1100 installation kit.

Model No.	Description	Ship Wt. (lbs)
COMPLETE KIT		
SMLP-1444	Comb: Lav & Pedestal	37.4
COMPONENTS		
SML-1444	Lavatory Bowl - 4" cc	19.8
SMP-1440	Pedestal only	17.6



ASHLAND DROP-IN LAVATORY

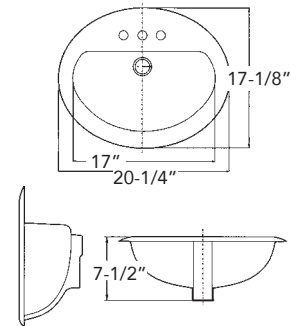


SPECIFICATIONS

SML-1554 L20 $\frac{1}{4}$ " x W17 $\frac{1}{8}$ " x H7 $\frac{1}{2}$ "

Vitreous china. Oval self-rimming countertop mount. Lavatory features 4" faucet hole drillings and front overflow. Complies with ADA requirements for accessibility.

Model No.	Description	Ship Wt. (lbs)
COUNTERTOP LAVATORY		
SML-1554	Lavatory Bowl - 4" cc	17.0



PARMA DROP-IN LAVATORY

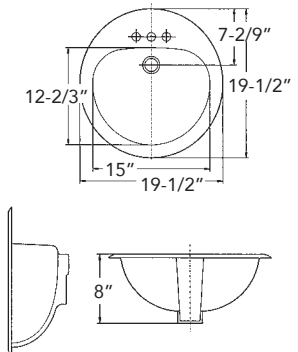


SPECIFICATIONS

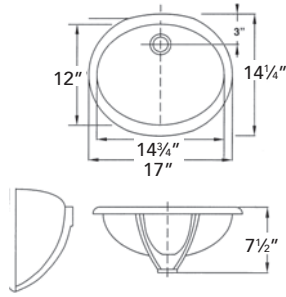
SML-1564 L19 $\frac{1}{2}$ " x W19 $\frac{1}{2}$ " x H8"

Vitreous china. Round self-rimming countertop mount. Lavatory features 4" faucet hole drillings and front overflow. Complies with ADA requirements for accessibility.

Model No.	Description	Ship Wt. (lbs)
COUNTERTOP LAVATORY		
SML-1564	Lavatory Bowl - 4" cc	17.0



When installed at proper height meets the Americans with Disabilities Act guidelines and ANSI A117.1 requirements for accessible and usable building facilities - check local codes.



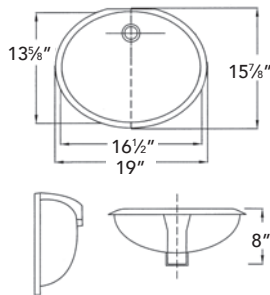
MILLWOOD PETITE UNDERMOUNT LAVATORY



SPECIFICATIONS
SML-1520 L17" x W14¼" x H7½"

Vitreous china. Oval under counter mount. Unglazed rim. Concealed overflow. Installation clips.

Model No.	Description	Ship Wt. (lbs)
UNDER COUNTER LAVATORY		
SML-1520	Lavatory Bowl - no faucet drillings	14.3



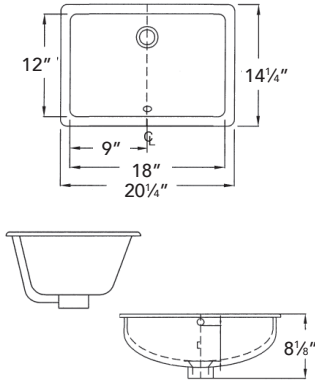
MILLWOOD GRANDE UNDERMOUNT LAVATORY



SPECIFICATIONS
SML-1530 L19" x W15⅞" x H8"

Vitreous china. Oval under counter mount. Unglazed rim. Concealed front overflow. Installation clips.

Model No.	Description	Ship Wt. (lbs)
UNDER COUNTER LAVATORY		
SML-1530	Lavatory Bowl - no faucet drillings	17.6



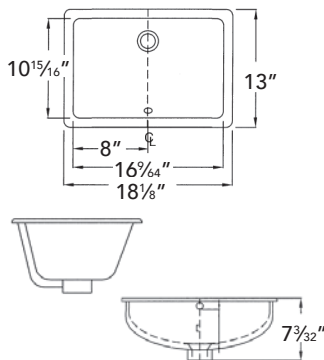
HENSLEY GRANDE UNDERMOUNT LAVATORY



SPECIFICATIONS
SML-1580 L20¼" x W14¼" x H8⅞"

Vitreous china. Rectangular under counter mount. Unglazed rim. Concealed front overflow. No faucet holes. Installation clips.

Model No.	Description	Ship Wt. (lbs)
UNDER COUNTER LAVATORY		
SML-1580	Rectangular Under Counter Sink	22.0



HENSLEY PETITE UNDERMOUNT LAVATORY



SPECIFICATIONS
SML-1590 L18⅞" x W13" x H7⅜"

Vitreous china. Rectangular under counter mount. Unglazed rim. Concealed front overflow. No faucet holes. Installation clips.

Model No.	Description	Ship Wt. (lbs)
UNDER COUNTER LAVATORY		
SML-1590	Rectangular Under Counter Sink	15.4



When installed at proper height meets the Americans with Disabilities Act guidelines and ANSI A117.1 requirements for accessible and usable building facilities - check local codes.

LAVATORIES

UNDERMOUNT & VESSEL



VAIL UNDERMOUNT LAVATORY

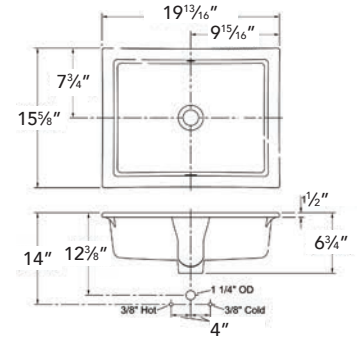


SPECIFICATIONS
SML-1570

L19¹³/₁₆" x W15⁵/₁₆" x D6³/₄"

White vitreous china bathroom sink for under counter installation. No faucet holes.

Model No.	Description	Ship Wt. (lbs)
UNDER COUNTER LAVATORY		
SML-1570	Rectangular Under Counter Sink	22.0



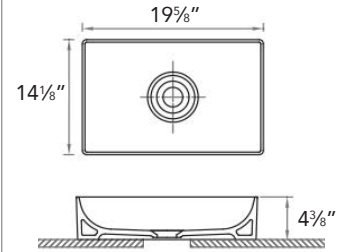
TAHOE ABOVE COUNTER

SPECIFICATIONS
SML-1620

L19⁵/₈" x W14¹/₈" x D4³/₈"

White vitreous china rectangular vessel sink for above counter installation. Concealed drain. Use with vessel or wall-mount faucet (not included).

Model No.	Description	Ship Wt. (lbs)
SML-1620	Rectangular Vessel Sink	22.0



Limited quantities available



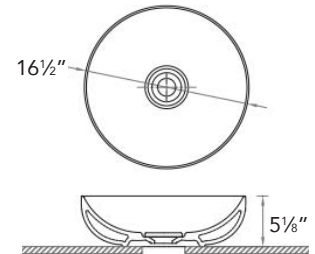
ABERDEEN ABOVE COUNTER

SPECIFICATIONS
SML-1630

Diameter 16¹/₂" x D5¹/₈"

White vitreous china round vessel sink for above counter installation. Concealed drain. Use with vessel or wall-mount faucet (not included).

Model No.	Description	Ship Wt. (lbs)
SML-1630	Round Vessel Sink	24.2



Limited quantities available



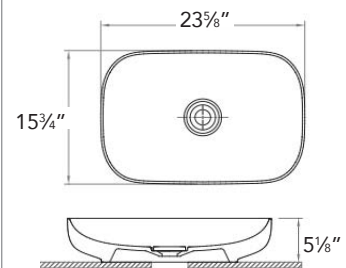
FRESNO ABOVE COUNTER

SPECIFICATIONS
SML-1640

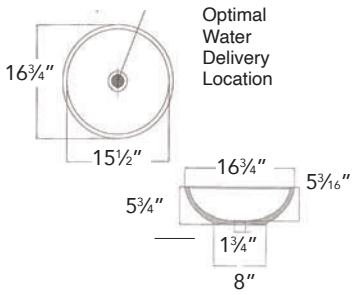
L23⁵/₈" x W15³/₄" x D5¹/₈"

White vitreous china rectangular vessel sink for above counter installation. Concealed drain. Use with vessel or wall-mount faucet (not included).

Model No.	Description	Ship Wt. (lbs)
SML-1640	Rectangular Vessel Sink	24.2



Limited quantities available



MALDEN FIRECLAY VESSEL

SPECIFICATIONS

SMVSL047

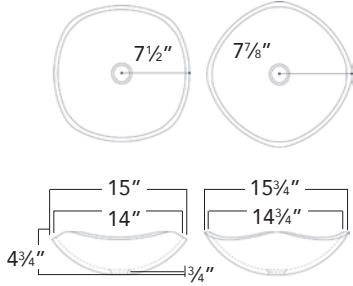
L16³/₄" x W16³/₄" x D5⁵/₁₆"

Handcrafted white/green fireclay round vessel sink. No overflow. Heated to 1600°F making the sink hard and durable. Above counter installation. Designed for use with vessel or wall-mount faucet (not included).

Model No.	Description	Ship Wt. (lbs)
SMVSL047	Round Vessel Sink	20



Limited quantities available



MEDFORD MARBLE VESSEL

SPECIFICATIONS

SM-FO4012

L15³/₄" x W15³/₄" x D4³/₄"

Black marble abstract square shape vessel sink. No overflow. Made of marble which is a natural stone and each sink will vary in color. Above counter installation. Designed for use with vessel or wall-mount faucet (not included).

Model No.	Description	Ship Wt. (lbs)
SM-FO4012	Round Vessel Sink	18



Limited quantities available



When installed at proper height meets the Americans with Disabilities Act guidelines and ANSI A117.1 requirements for accessible and usable building facilities - check local codes.

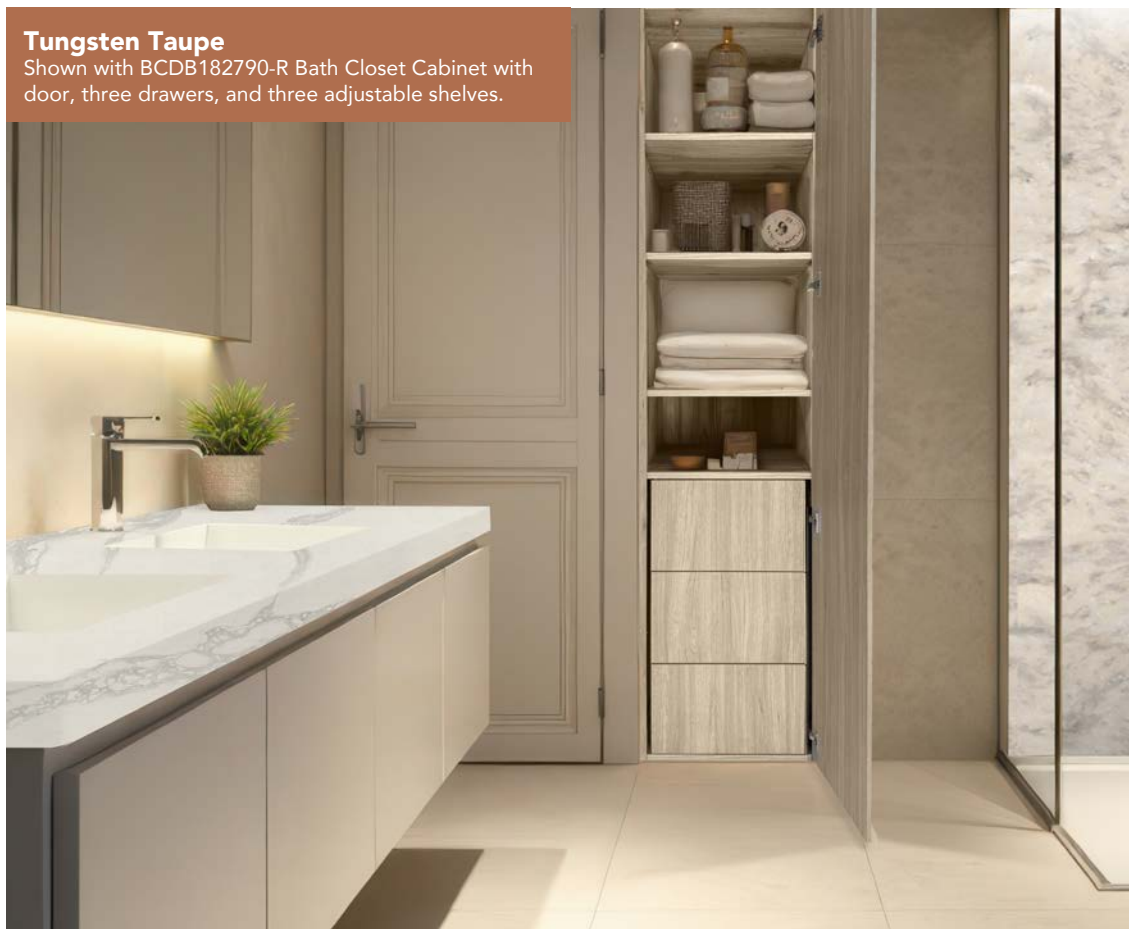
**ABERDEEN
SML-1630****PARMA SML-1564**

SAMUEL
MÜLLER

BATH CLOSET CABINETS

Tungsten Taupe

Shown with BCDB182790-R Bath Closet Cabinet with door, three drawers, and three adjustable shelves.



BATH CLOSET CABINETS



Elevate your bathroom storage with our versatile melamine bath closet systems. Designed for style and function, each unit features adjustable shelves to customize your organization. Choose from an open closet, a closet with door(s), a closet with door(s) and a built-in hamper, or a closet with door(s) and three touch-open drawers. Perfect for keeping your space tidy, organized, and effortlessly elegant.

BATH CLOSET CABINETS

new and existing construction

DOOR STYLES & DETAILS

**ZARA
FLAT PANEL**

Full Overlay Flat Panel

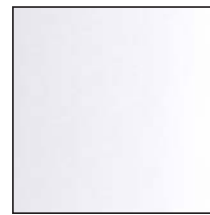
**CELINA
SHAKER DOOR**

Full Overlay Shaker

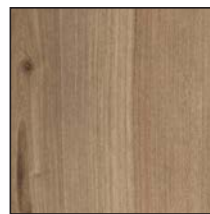
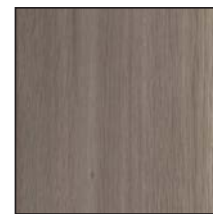


CABINET COLOR OPTIONS

Solid Colors

Cascade White
CWFashion Grey
FGHigh Gloss White
CWG

Woodgrain Colors

Ebony Walnut
EWGraywash
GWDyed Driftwood
DDTungsten Taupe
TT

*Actual product color may vary slightly.

Bath Closet Cabinet Details Diagram



1. Closets are 3/4" thick melamine material, with back panel 3/8" thick
2. Shelves are 3/4" thick and adjustable.
3. 4" high Toe Kick

Additional Options

*Each Option includes soft-close hinges

1A. Add door



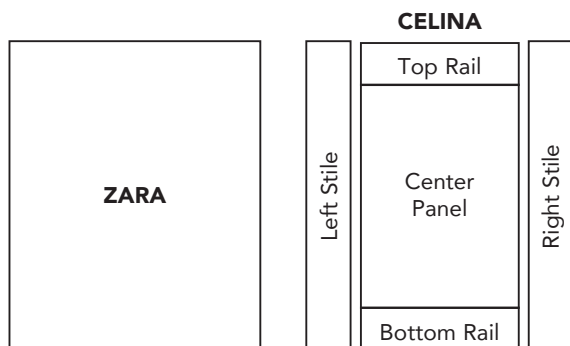
1B. Add door

2B. Remove bottom shelf, add hamper, made of canvas and features a metal frame.



1C. Add door

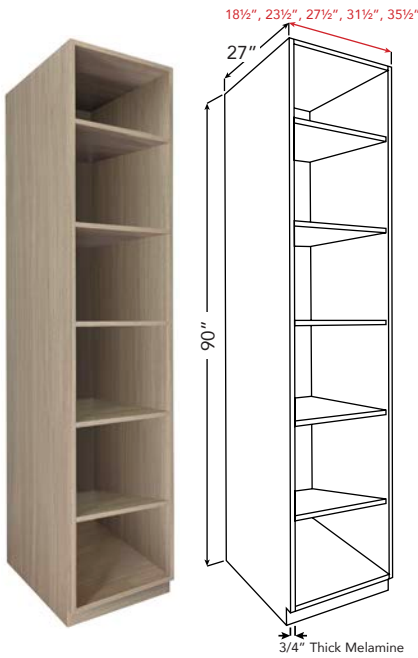
2C. Remove bottom shelf, add 3 drawers, each drawer is recessed and hardware included



	Center Panel	Rail Width	Stile Width
ZARA	3/4"	N/A	N/A
CELINA	3/8"	3/4"	3/4"

BATH CLOSET CABINETS

BATH CLOSET CABINETS Open with 5 Shelves, Door with 5 Shelves



Bath Closet Cabinet Open With 5 Adjustable Shelves

Model No.	Length	Height	Depth
BCSH182790-	18-1/2"	90"	27"
BCSH232790-	23-1/2"	90"	27"
BCSH272790-	27-1/2"	90"	27"
BCSH312790-	31-1/2"	90"	27"
BCSH352790-	35-1/2"	90"	27"

Ready to Assemble.

Color codes are found on page 94.

To order without lights, add color code to end of model number. Example: BCSH182790-CW.

To order with lights, add color code, "-AL-", and Trinity color/finish code found below to end of model number. Example: BCSH182790-CW-AL-KI01G.



Bath Closet Cabinet With Door & 5 Adjustable Shelves

Model No.	Length	Height	Depth
BCDR182790-R/L	18-1/2"	90"	27"
BCDR232790-BD	23-1/2"	90"	27"
BCDR272790-BD	27-1/2"	90"	27"
BCDR312790-BD	31-1/2"	90"	27"
BCDR352790-BD	35-1/2"	90"	27"

Ready to Assemble.

BCDR182790- requires you to choose a left side door or a right side door.

23-35 models include 2 doors.

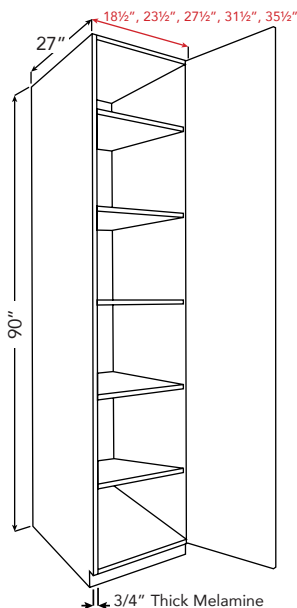
Door style and color codes are found on page 94.

To order without lights, add door style Zara (Z) or Celina (C) and color code to end of model number.

Example: BCDR182790-L-ZCW.




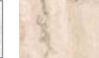





To order with lights, add door style, color code, "-AL-", and Trinity color/finish code found below to end of model number. Example: BCDR182790-L-ZCW-AL-KI01G

Knobs / pulls not included. See pages 73-74 for options.



*Choose your Trinity backwall color when ordering Trinity with Lights

Trinity Colors

				
White Carrara <input type="checkbox"/> KI01	Black Carrara <input type="checkbox"/> KI03	Sabana Grey <input type="checkbox"/> KI31	Sabana Creme <input type="checkbox"/> KI32	Concrete Textured <input type="checkbox"/> KI34
				
Everest <input type="checkbox"/> KI58	Storm <input type="checkbox"/> KI63	Everest Gold <input type="checkbox"/> KI80	Ariel Desert <input type="checkbox"/> KI82	

*KI34 Only in Matte Textured

To order, please indicate finish after color code: Glossy (G), Ultra Honed (H), or Matte Textured (T).



Bath Closet Cabinet With Door & Hamper

Model No.	Length	Height	Depth
BCHP182790-R/L	18-1/2"	90"	27"
BCHP232790-BD	23-1/2"	90"	27"
BCHP272790-BD	27-1/2"	90"	27"
BCHP312790-BD	31-1/2"	90"	27"
BCHP352790-BD	35-1/2"	90"	27"

Ready to Assemble.
 BCHP182790- requires you to choose a left side door or a right side door.
 23-35 models include 2 doors.
 Includes a Hamper.
 Includes 3 shelves.

Door style and color codes are found on page 94.
 To order without lights, add door style Zara (Z) or Celina (C) and color code to end of model number.
 Example: BCHP182790-L-ZCW.
 To order with lights, add door style, color code, "-AL-", and Trinity color/finish code found below to end of model number. Example: BCHP182790-L-ZCW-AL-KI01G.

Knobs / pulls not included. See pages 73-74 for options.



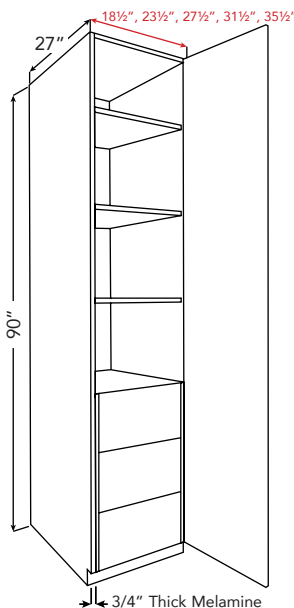
Bath Closet Cabinet With Door & 3 Drawer Stack

Model No.	Length	Height	Depth
BCDB182790-R/L	18-1/2"	90"	27"
BCDB232790-BD	23-1/2"	90"	27"
BCDB272790-BD	27-1/2"	90"	27"
BCDB312790-BD	31-1/2"	90"	27"
BCDB352790-BD	35-1/2"	90"	27"

BCDB182790- requires you to choose a left side door or a right side door.
 23-35 models include 2 doors.
 Includes slab drawers.
 Includes 3 shelves.




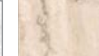





Door style and color codes are found on page 94.
 To order without lights, add door style Zara (Z) or Celina (C) and color code to end of model number. Example: BCDB182790-L-ZCW.
 To order with lights, add door style, color code, "-AL-", and Trinity color/finish code found below to end of model number. Example: BCDB182790-L-ZCW-AL-KI01G.

Knobs / pulls not included. See pages 73-74 for options.



*Choose your Trinity backwall color when ordering Trinity with Lights

Trinity Colors

				
White Carrara <input type="checkbox"/> KI01	Black Carrara <input type="checkbox"/> KI03	Sabana Grey <input type="checkbox"/> KI31	Sabana Creme <input type="checkbox"/> KI32	Concrete Textured <input type="checkbox"/> KI34
				
Everest <input type="checkbox"/> KI58	Storm <input type="checkbox"/> KI63	Everest Gold <input type="checkbox"/> KI80	Ariel Desert <input type="checkbox"/> KI82	

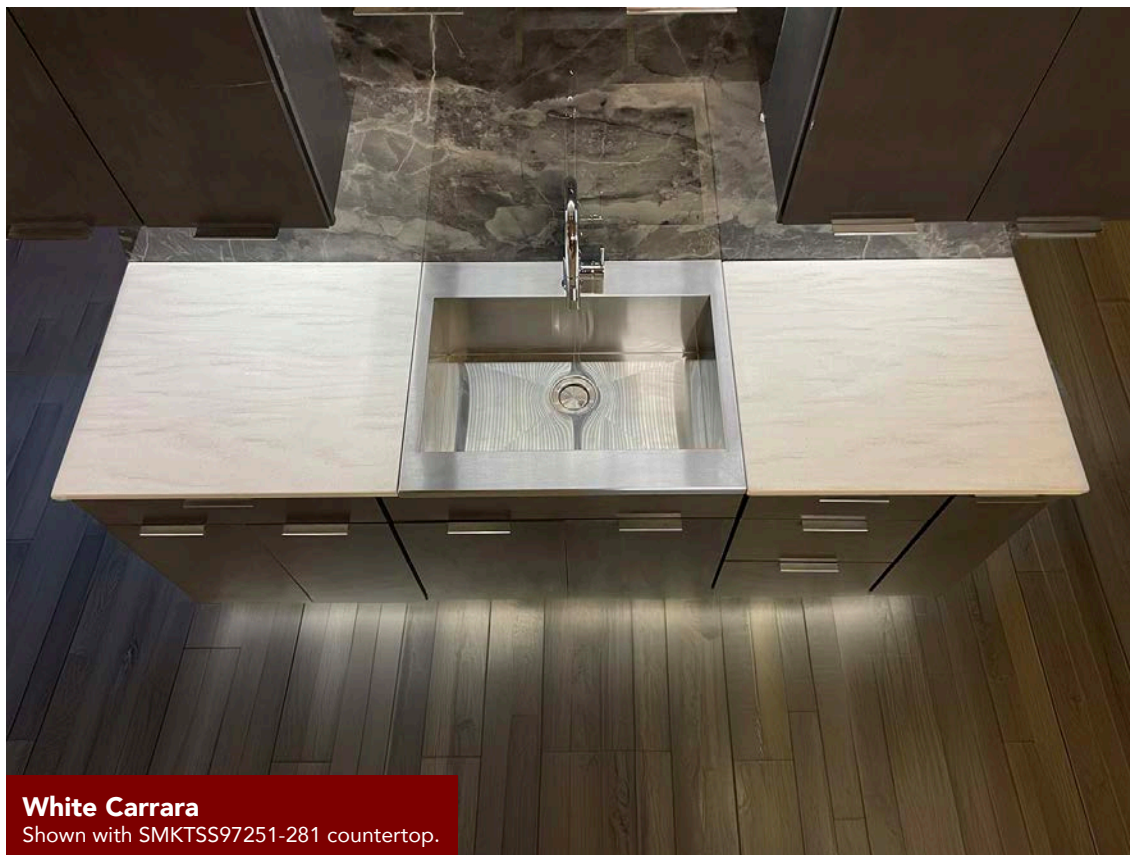
*KI34 Only in Matte Textured

To order, please indicate finish after color code: Glossy (G), Ultra Honed (H), or Matte Textured (T).

**White Carrara**

Shown with SMKTSS97251-281 countertop.

SAMUEL
MÜLLER



White Carrara

Shown with SMKTS97251-281 countertop.

COUNTERTOPS

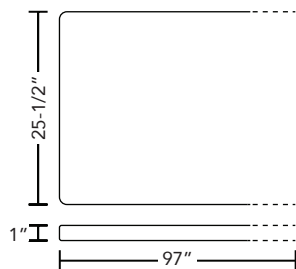
Featuring eased edges on both countertops and backsplashes, these surfaces offer a seamless, modern look. Non-porous and stain-resistant, they withstand everyday use without denting or scratching, ensuring long-lasting beauty. If minor damage occurs, the surface is easily repairable, maintaining its pristine appearance. Available in elegant colors: White Carrara and Bianca.

Elevate your kitchen with our acrylic solid surface countertops, designed for durability and style. Perfectly paired with Remington and Latitude kitchen cabinets, these countertops create a cohesive and inviting culinary space.

COUNTERTOPS

new and existing construction

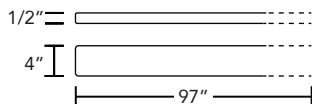
COUNTERTOPS



Kitchen Countertop

Model No.	Description	Width	Height	Depth
SMKTSS97251-	Overall Dimensions	97"	1"	25-1/2"

Crafted from acrylic solid surface material.
Countertop has eased edges.
Non-porous and resistant to stains.
Very strong. No need to worry about denting or scratches.
Surface is repairable.



Countertop Backsplash

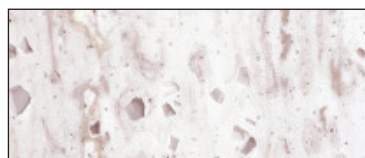
Model No.	Description	Width	Height	Depth
SMKTBS97405-	Overall Dimensions	97"	1/2"	4"

Crafted from acrylic solid surface material.
Backsplash has eased edges.
Non-porous and resistant to stains.
Very strong. No need to worry about denting or scratches.
Surface is repairable.

Countertop and Backsplash COLORS



White Carrara
281



Bianca
285

*Actual product color may vary slightly.

SAMUEL
MÜLLER



SMCTSS362610

Stainless Steel	Thickness Level	Bowl Depth	Sound Deadening	Center Radius
18	120	10"	3mm	0"

COUNTERTOP STAINLESS STEEL SINKS *seamless integration*



Handcrafted premium 18 gauge 304 stainless steel. Sound insulated with 3mm dampening pads. Channel grooves in an x-pattern direct water to drain. Offset drain location provides more space to operate and easier to drain. Brushed finish adds a lustrous appearance, bringing warmth to the kitchen. Zero radius sink boasts all four corners with a perfect 90-degree angle for a sleek and contemporary appearance. One piece unit creates a seamless transition between the sink and the countertop. Countertop features a 3/16" radius eased edge. 10-in deep bowls have capacity to handle larger pots and pans. Each sink comes with a stainless steel bottom sink grid and a standard sink strainer. Lifetime warranty.

COUNTERTOP SINKS

new and existing construction

COUNTERTOP Collection SINGLE BOWLS



SMCTSS302610

Super Single Bowl | 36-in x 26-in x 10-in
INTEGRAL | **SMCTSS362610**



Super Single Bowl | 33-in x 26-in x 10-in
INTEGRAL | **SMCTSS332610**



Super Single Bowl | 30-in x 26-in x 10-in
INTEGRAL | **SMCTSS302610**



Single Bowl | 27-in x 26-in x 10-in
INTEGRAL | **SMCTSS272610**



COUNTERTOP Collection **DOUBLE BOWLS**

SMCTDS362610



Equal Double Bowls | 36-in x 26-in x 10-in
INTEGRAL | Low Divide | **SMCTDS362610**



Equal Double Bowls | 33-in x 26-in x 10-in
INTEGRAL | Low Divide | **SMCTDS332610**



COUNTERTOP

KITCHEN SINKS Stainless Steel Integral



*Limited quantities available

SUPER SINGLE BOWL INTEGRAL SINK

SPECIFICATIONS

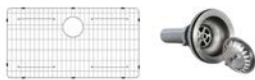
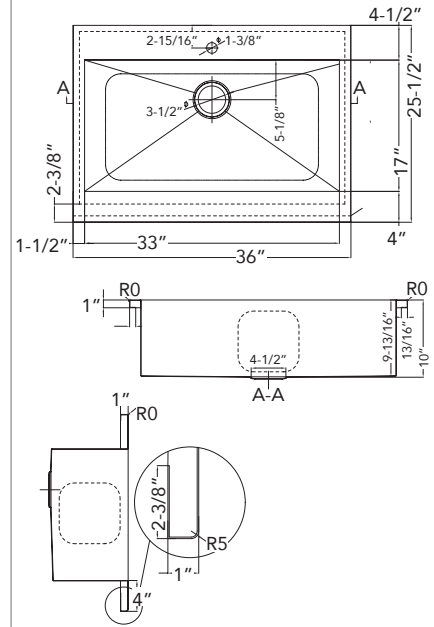
SMCTSS362610 L36" x W25-1/2" x D10"
 Bowl Dimensions L33" x W17" x D10"

- Stock 1 hole models. Additional hole drillings ML2, MR2, 3, 4, 5 available. Specify number of faucet holes when ordering, see below for ordering information.
- 18 gauge 304 stainless steel. Channel grooves in sink bottom direct water to drain.
- Brushed finish. 3mm sound deadening pads.
- Zero radius inside corners. 3/16" radius eased edge countertop.
- One piece integrated sink and countertop.
- Includes a stainless steel bottom sink grid and a stainless standard sink strainer.

OPTIONAL ACCESSORIES

Magnetic Accessories Kit, Covered Flip-Top Sink and Disposer Strainers, Universal Sink Drain Installation Kit, Soap/Lotion Dispenser.

Model No.	Description	Ship Wt. (lbs)
SMCTSS362610	Super Single Bowl	49



*Limited quantities available

SUPER SINGLE BOWL INTEGRAL SINK

SPECIFICATIONS

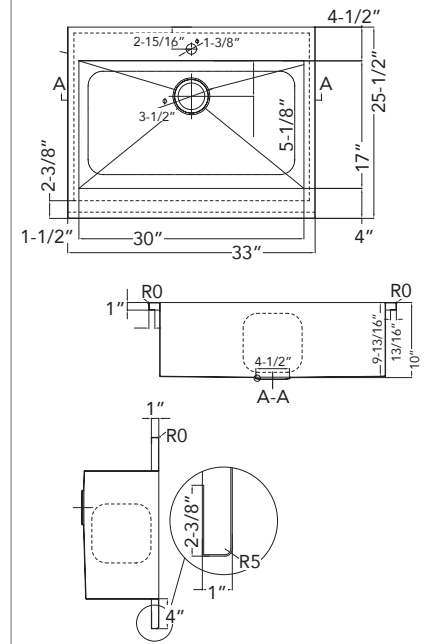
SMCTSS332610 L33" x W25-1/2" x D10"
 Bowl Dimensions L30" x W17" x D10"

- Stock 1 hole models. Additional hole drillings ML2, MR2, 3, 4, 5 available. Specify number of faucet holes when ordering, see below for ordering information.
- 18 gauge 304 stainless steel. Channel grooves in sink bottom direct water to drain.
- Brushed finish. 3mm sound deadening pads.
- Zero radius inside corners. 3/16" radius eased edge countertop.
- One piece integrated sink and countertop.
- Includes a stainless steel bottom sink grid and a stainless standard sink strainer.

OPTIONAL ACCESSORIES

Magnetic Accessories Kit, Covered Flip-Top Sink and Disposer Strainers, Universal Sink Drain Installation Kit, Soap/Lotion Dispenser.

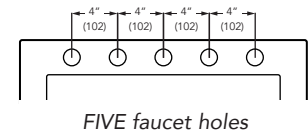
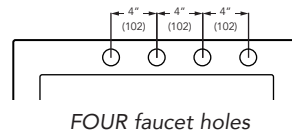
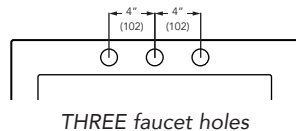
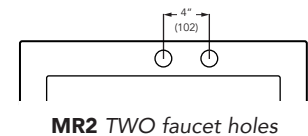
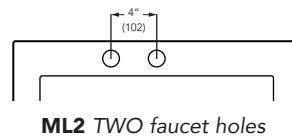
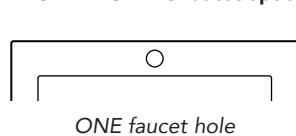
Model No.	Description	Ship Wt. (lbs)
SMCTSS332610	Super Single Bowl	46



ORDERING INTEGRAL SINKS WITH FAUCET HOLES: Add the number of holes you are ordering to the end of the model no. Example: COUNTERTOP single bowl sink SMCTSS362610 with 3 standard faucet holes will be SMCTSS362610-3.

Faucet Holes
1
ML2
MR2
3
4
5

***BOTH MODELS faucet options**



SUPER SINGLE BOWL INTEGRAL SINK

SPECIFICATIONS

SMCTSS302610 L30" x W25-1/2" x D10"
 Bowl Dimensions L27" x W17" x D10"

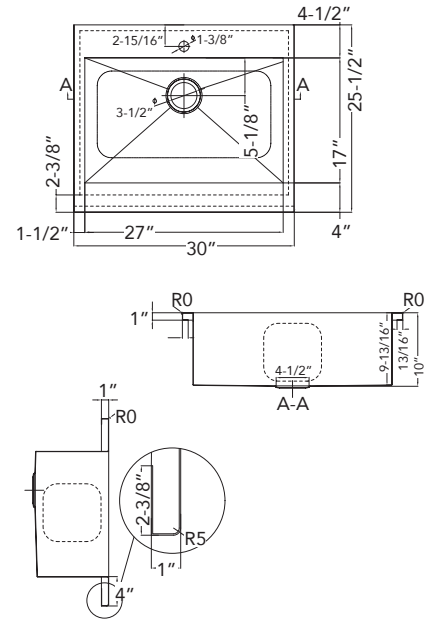
- Stock 1 hole models. Additional hole drillings ML2, MR2, 3, 4, 5 available. Specify number of faucet holes when ordering, see below for ordering information.
- 18 gauge 304 stainless steel. Channel grooves in sink bottom direct water to drain.
- Brushed finish. 3mm sound deadening pads.
- Zero radius inside corners. 3/16" radius eased edge countertop.
- One piece integrated sink and countertop.
- Includes a stainless steel bottom sink grid and a stainless standard sink strainer.

OPTIONAL ACCESSORIES

Magnetic Accessories Kit, Covered Flip-Top Sink and Disposer Strainers, Universal Sink Drain Installation Kit, Soap/Lotion Dispenser.

Model No.	Description	Ship Wt. (lbs)
SMCTSS302610	Super Single Bowl	42

*Limited quantities available



SINGLE BOWL INTEGRAL SINK

SPECIFICATIONS

SMCTSS272610 L27" x W25-1/2" x D10"
 Bowl Dimensions L24" x W17" x D10"

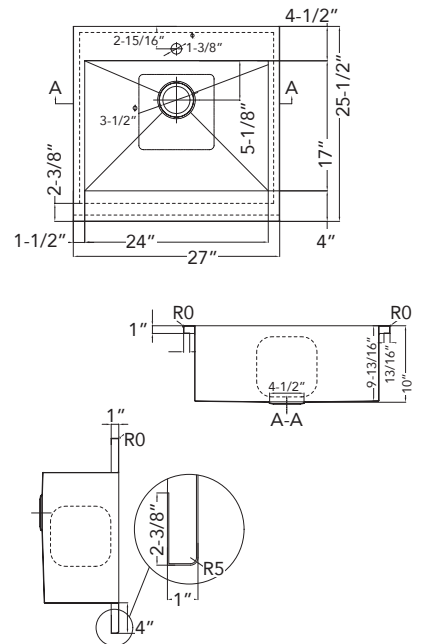
- Stock 1 hole models. Additional hole drillings ML2, MR2, 3, 4, 5 available. Specify number of faucet holes when ordering, see below for ordering information.
- 18 gauge 304 stainless steel. Channel grooves in sink bottom direct water to drain.
- Brushed finish. 3mm sound deadening pads.
- Zero radius inside corners. 3/16" radius eased edge countertop.
- One piece integrated sink and countertop.
- Includes a stainless steel bottom sink grid and a stainless standard sink strainer.

OPTIONAL ACCESSORIES

Magnetic Accessories Kit, Covered Flip-Top Sink and Disposer Strainers, Universal Sink Drain Installation Kit, Soap/Lotion Dispenser.

Model No.	Description	Ship Wt. (lbs)
SMCTSS272610	Single Bowl	30

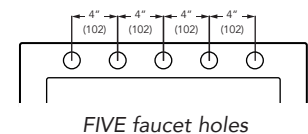
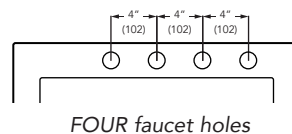
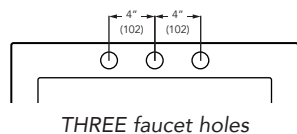
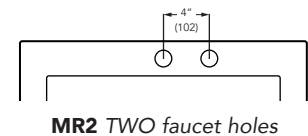
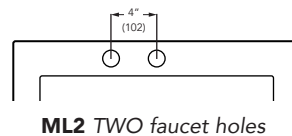
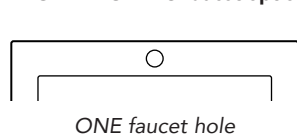
*Limited quantities available



ORDERING INTEGRAL SINKS WITH FAUCET HOLES: Add the number of holes you are ordering to the end of the model no. Example: COUNTERTOP single bowl sink SMCTSS302610 with 3 standard faucet holes will be SMCTSS302610-3.

Faucet Holes
1
ML2
MR2
3
4
5

***BOTH MODELS faucet options**



COUNTERTOP

KITCHEN SINKS Stainless Steel Integral



EQUAL DOUBLE BOWLS INTEGRAL SINK - Low Divide

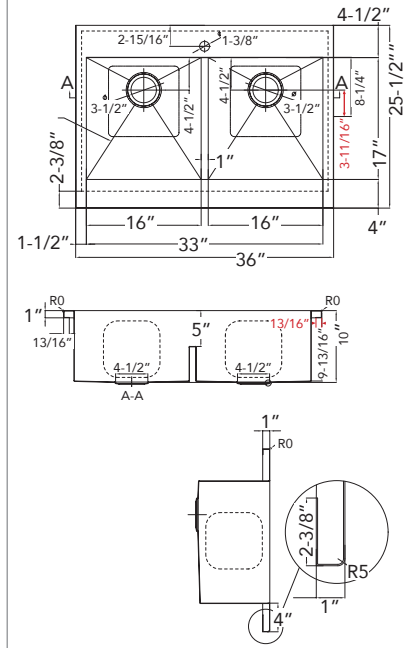
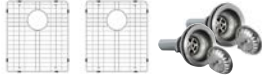
SPECIFICATIONS

SMCTDS362610 L36" x W25-1/2" x D10"
 Bowl Dimensions - Left L16" x W17" x D10"
 Bowl Dimensions - Right L16" x W17" x D10"

- Stock 1 hole models. Additional hole drillings ML2, MR2, 3, 4, 5 available. Specify number of faucet holes when ordering, see below for ordering information.
 - 18 gauge 304 stainless steel. Channel grooves in sink bottom direct water to drain.
 - Brushed finish. 3mm sound deadening pads.
 - Zero radius inside corners. 3/16" radius eased edge countertop.
 - One piece integrated sink and countertop.
 - Includes 2 stainless steel bottom sink grids and 2 standard sink strainers.
- OPTIONAL ACCESSORIES
 Magnetic Accessories Kit, Covered Flip-Top Sink and Disposer Strainers, Universal Sink Drain Installation Kit, Soap/Lotion Dispenser.

Model No.	Description	Ship Wt. (lbs)
SMCTDS362610	Equal Dbl Bowls-low divide	53

*Limited quantities available



EQUAL DOUBLE BOWLS INTEGRAL SINK - Low Divide

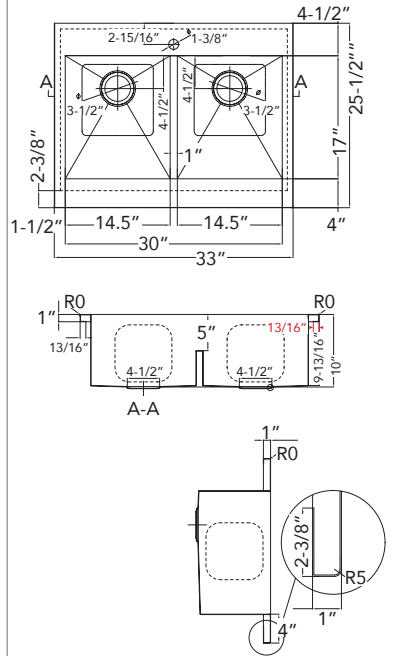
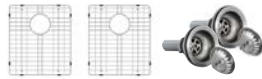
SPECIFICATIONS

SMCTDS332610 L33" x W25-1/2" x D10"
 Bowl Dimensions - Left L14-1/2" x W17" x D10"
 Bowl Dimensions - Right L14-1/2" x W17" x D10"

- Stock 1 hole models. Additional hole drillings ML2, MR2, 3, 4, 5 available. Specify number of faucet holes when ordering, see below for ordering information.
 - 18 gauge 304 stainless steel. Channel grooves in sink bottom direct water to drain.
 - Brushed finish. 3mm sound deadening pads.
 - Zero radius inside corners. 3/16" radius eased edge countertop.
 - One piece integrated sink and countertop.
 - Includes 2 stainless steel bottom sink grids and 2 standard sink strainers.
- OPTIONAL ACCESSORIES
 Magnetic Accessories Kit, Covered Flip-Top Sink and Disposer Strainers, Universal Sink Drain Installation Kit, Soap/Lotion Dispenser.

Model No.	Description	Ship Wt. (lbs)
SMCTDS332610	Equal Dbl Bowls-low divide	50

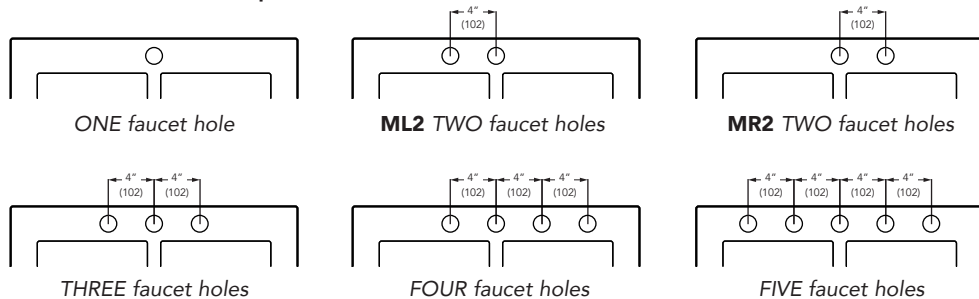
*Limited quantities available



ORDERING INTEGRAL SINKS WITH FAUCET HOLES: Add the number of holes you are ordering to the end of the model no. Example: COUNTERTOP single bowl sink SMCTDS362610 with 3 standard faucet holes will be SMCTDS362610-3.

Faucet Holes
1
ML2
MR2
3
4
5

*BOTH MODELS faucet options



SAMUEL
MÜLLER



CLOSET DETAILS

Samuel Mueller Closet Systems redefine storage through thoughtful design, premium materials, and refined craftsmanship. From expansive walk-in closets to space-saving inserts and elegant bath solutions, each system is engineered to blend beauty with everyday functionality. With customizable configurations, sophisticated finishes, and integrated details, our closets transform interiors into organized, luxurious spaces tailored to your lifestyle.



CLOSET CABINETS

Custom melamine closets with premium finishes, smart accessories, and elegant design.

INSET CABINETS

A streamlined, custom-looking closet designed to fit existing openings with ease.

CLOSET DETAILS

new and existing construction

CLOSET DETAILS

DOOR STYLES & DETAILS

**ZARA
FLAT PANEL**

Full Overlay Flat Panel

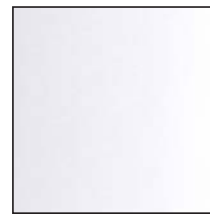
**CELINA
SHAKER DOOR**

Full Overlay Shaker

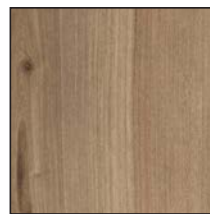
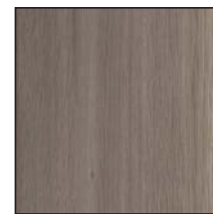


CABINET COLOR OPTIONS

Solid Colors

Cascade White
CWFashion Grey
FGHigh Gloss White
CWG

Woodgrain Colors

Ebony Walnut
EWGraywash
GWDyed Driftwood
DDTungsten Taupe
TT

*Actual product color may vary slightly.

Accent Back Panel Insert (AP)




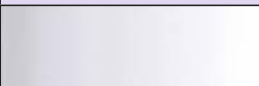
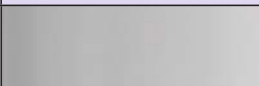

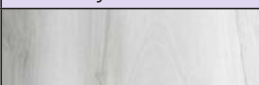
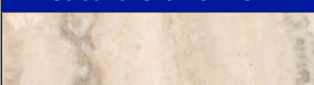
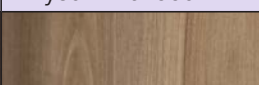
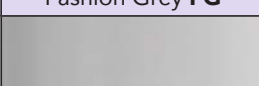
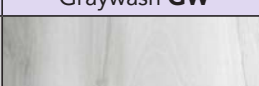
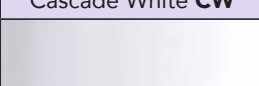
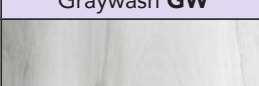
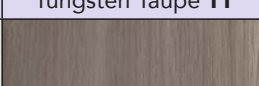

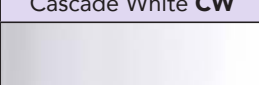
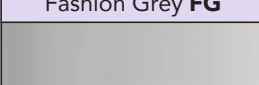
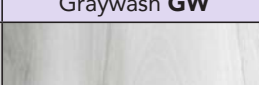

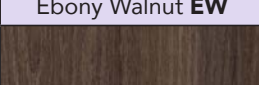


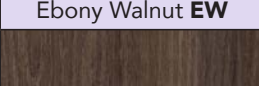
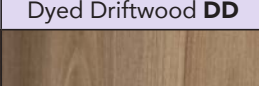
Available colors include the Trinity series

Must select the Honed OR Gloss Finish.

(Except Concrete which only comes in Matte Textured Finish.)

Add H for Honed OR G for Gloss at the end of model number. For Concrete, add T for Matte Textured at the end of the model number.

Ex. KI01G

Trinity Accent Back Panel Color Options			
	Samuel Müller recommends this color for		
Trinity Panel Color	Cabinet Color Option 1	Cabinet Color Option 2	Cabinet Color Option 3
White Caruso KI01	Cascade White CW	Fashion Grey FG	Graywash GW
			
Black Caruso KI03	Cascade White CW	Fashion Grey FG	Graywash GW
			
Sabana Grey KI31	Cascade White CW	Graywash GW	Tungsten Taupe TT
			
Sabana Creme KI32	Ebony Walnut EW	Dyed Driftwood DD	Tungsten Taupe TT
			
Concrete Textured KI34	Cascade White CW	Fashion Grey FG	Graywash GW
			
Everest KI58	Cascade White CW	Graywash GW	Tungsten Taupe TT
			
Storm KI63	Cascade White CW	Fashion Grey FG	Graywash GW
			
Everest Gold KI80	Ebony Walnut EW	Dyed Driftwood DD	Tungsten Taupe TT
			
Ariel Desert KI82	Ebony Walnut EW	Dyed Driftwood DD	Tungsten Taupe TT
			

Cabinet Details Diagram

- 1. All Cabinets use 3/4" thick melamine material, with 3/8 back panel
- 2. 4" high Toe Kick



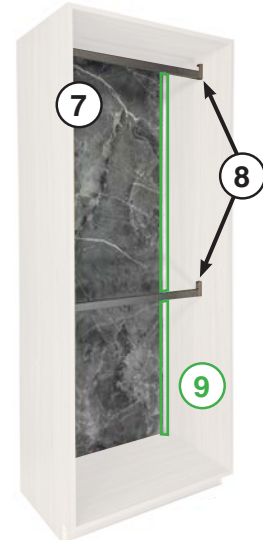
- 3. Doors, includes hinges, full height available (see page 127)
- 4. Drawers (see pages 121-123)



- 5. Stationary Shelf
- 6. Rotating Shoe Rack is available in a 4 tier and 12 tier option (see page 132)



- 7. Optional Trinity back panel available (see page 109)
- 8. Stationary Rods (for example, see page 132)
- 9. Optional Lighting Strips (see 127)



- 10. 3 in 1 Corner Unit (see page 132)



- 11. Top mount trouser rack (see page 131)
- 12. Side basket (see page 131)



- 13. Pull Down clothes rod (see page 133)
- 14. Trouser pullout (see page 131)



- 15. Jewelry box
- 16. Garment storage box
- 17. Multi functional storage box
- 18. Deep leather storage box
- *For each (see page 130)



Most items are available for select sizes/models

TB232190-ZCW- -FHD-KI01H-IH4

1 2 3 *4 **5 **5 **6

- 1. Cabinet Type & Size 3. Door & Carcass Color **5. Cabinet Add-On Options
- 2. Door Style *4. Finger Pulls **6. Cabinet Construction Options

	Available Option(s)	Code
Cabinet Type & Size	Cabinet Being Ordered	Cabinet Type Model No.
Door Style (If Applicable)	Zara	Z
	Celina	C
Door & Carcass Color	Cascade White	CW
	Fashion Grey	FG
	Ebony Walnut	EW
	Graywash	GW
	Dyed Driftwood	DD
	Tungsten Taupe	TT
	Cascade White Glossy	CWG
Finger Pulls (*Inset Cabinets Only)	Brushed Nickel	BN
	Matte Black	MB
Cabinet Add-On Options (**If Applicable)	Accent Lighting	AL
	Glass Panel Insert	GI
	Mirror Panel Insert	MI
	Dovetail Wood Drawer	DWD
	Full Height Door	FHD
	Adjustable Shelving	AS
	Accent Panel Insert	<i>See Page 109 for Codes</i>
Cabinet Construction Options (**If Applicable)	Increase Height	IH_***
	Reduce Height	RH_***
	Increase Width	IW_***
	Reduce Width	RW_***
	Increase Depth	ID_***
	Reduce Depth	RD_***

*Inset Cabinets are the only cabinets that come with Finger Pulls. Closet Cabinets will need to have cabinet hardware ordered separately (see Accessories section).

**See spec book for cabinet add-on and construction options available for each closet system model number.

***Must add the number of inches increased or decreased to the option code. Modifications are adjusted in increments of 1". See next page for set limits regarding these modifications.

Example:

How to order a Tall Cabinet, Open Box 23-1/2"W x 21"D x 90"H with an increased height of an additional 4", with a full height Zara door, in Cascade White color, and a White Carrara accent panel in Honed finish.

	Option(s) Chosen	Code
Cabinet Type & Size	Tall Cabinet, Open Box 23-1/2"W x 21"D x 90"H	TB232190
Door Style	Zara (adding a door to this model)	Z
Color	Cascade White	CW
*Finger Pulls		
Cabinet Add-On(s)	Full Height Door	FHD
	Accent Panel in White Carrara with Honed Finish	KI01H
Cabinet Construction	Increase Height by 4"	IH4

*Closet cabinets do not come with Finger Pulls. Only included with Inset Cabinets.

Order model number: **TB232190-ZCW-FHD-KI01H-IH4**

Construction Options Legend

IH	Increase Height
RH	Reduce Height
IW	Increase Width
RW	Reduce Width
ID	Increase Depth
RD	Reduce Depth

Each modification can be adjusted in increments of 1" each up to a set limit

Add-On Options Legend

AL	Accent Lighting
FHD	Full Height Door
DWD	Dovetail Wood Drawer
GI	Glass Insert
AP	Accent Panel Insert
MI	Mirror Insert
AS	Adjustable Shelving

(See Page 127 & 133 for Pricing)

Increased Height

Construction Code	Size
IH	+1"

*Tall Cabinet Maximum 96" | Wall Cabinet Maximum 48"
Base Cabinet Maximum 42"*

Reduce Height

Construction Code	Size
RH	-1"

*Tall Cabinet Minimum 76" | Wall Cabinet Minimum 12"
Base Cabinet Minimum 15"*

Increase Width

Construction Code	Size
IW	+1"

Maximum 42" Wide for Tall, Wall, and Base Cabinet

Reduce Width

Construction Code	Size
RW	-1"

Minimum 12-1/2" Wide for Tall, Wall, and Base Cabinet

Increase Depth

Construction Code	Size
ID	+1"

Maximum 30" Wide for Tall, Wall, and Base Cabinet

Reduce Depth

Construction Code	Size
RD	-1"

Minimum 12" Wide for Tall, Wall, and Base Cabinet



CLOSET SYSTEMS

Tall Cabinets Corner Cabinets
 Base Cabinets Wall Bases
 Wall Cabinets Panels
 Moldings Accessories

Samuel Mueller Closet Systems offers a stunning selection of melamine colors to design breathtaking closets tailored to your style.



Complemented by exquisite brown leather and sleek grey aluminum accessories, our custom closets meet the unique needs of every client. Enhance your space with options like integrated lighting, decorative accent back panels, elegant wood drawers, mirror inserts, and much more. Let us help you create the perfect closet that combines functionality with sophistication.

CLOSET SYSTEMS

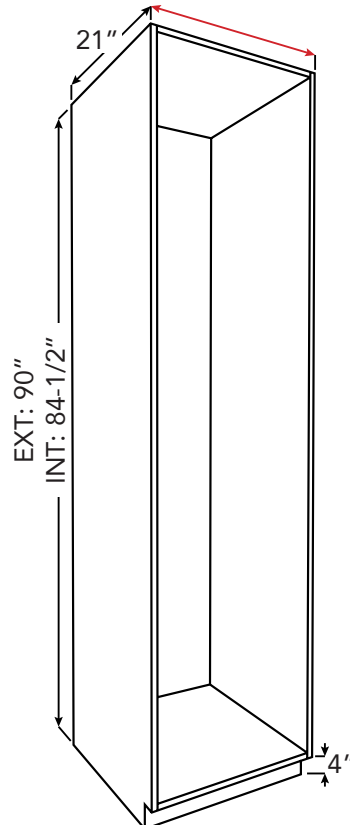
new and existing construction

CLOSET CABINETS





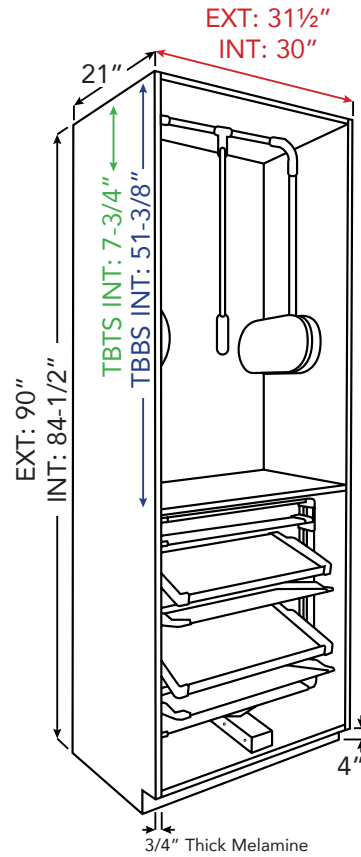
EXT: 23½", 27½", 31½", 35½"
INT: 22", 26", 30", 34"



Tall Cabinet, Open Box

Model No.
TB232190
TB272190
TB312190
TB352190

3" deep X 4" high recessed toe kick
Available interior depth 19-7/8"
Interior height 84-1/2"



*Pull down clothes rod included with the 4 tier shoe rack model

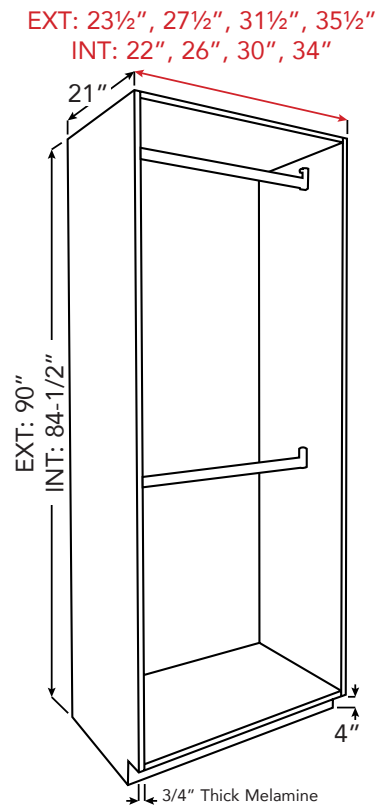
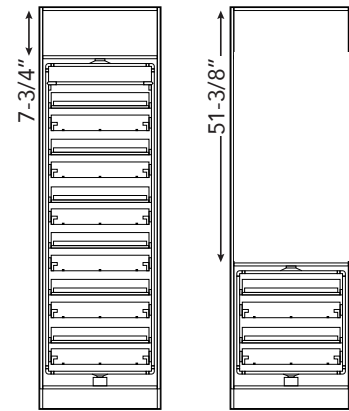
Tall Cabinet, Shoe Rack (Pulldown)

Model No.
TBTS312190
TBBS312190

3" deep X 4" high recessed toe kick
1 interior shelf
Available interior depth 19-7/8"
Rotating shoe rack in 12 tier or 4 tiers, brown leather wrapped with grey aluminum hardware

TBTS seen below (12 Tier Rotating Shoe Rack)
Interior height 76" tall shoe rack

TBBS seen below (4 Tier Rotating Shoe Rack)
Interior height 32-3/8" base shoe rack
Includes a pull down clothes rod; slow close with grey aluminum hardware



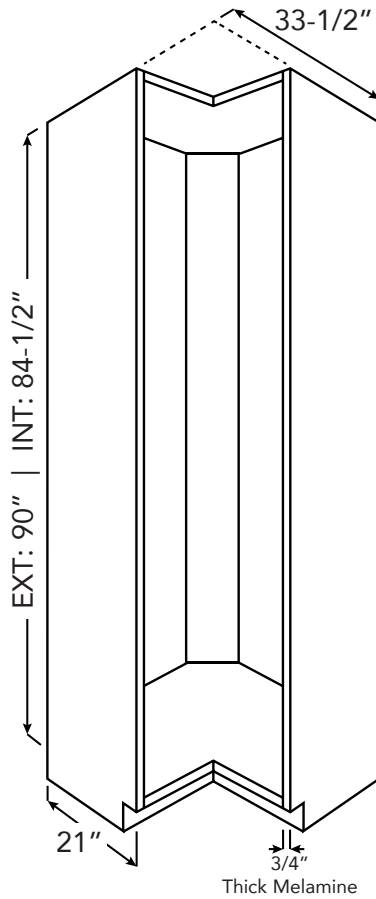
*Shown with optional back panel and accent lighting

Tall Cabinet, Stationary Rods

Model No.
TBSR232190
TBSR272190
TBSR312190
TBSR352190

3" deep x 4" high recessed toe kick
Available interior depth 19-7/8"
Interior height 84-1/2"
Brown leather wrapped stationary rods with light diffusers

*Lighting not included must add if desired



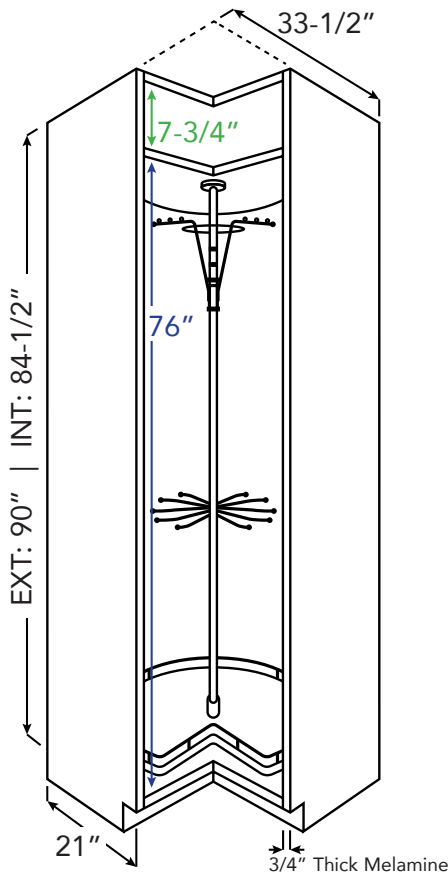
Tall Corner Cabinet

Model No.

TCBNS332190

TCBAS332190

3" deep X 4" high recessed toe kick
 TCBNS - No shelves open interior
 TCBAS - 5 adjustable shelves open interior



Tall Rotating Corner Cabinet

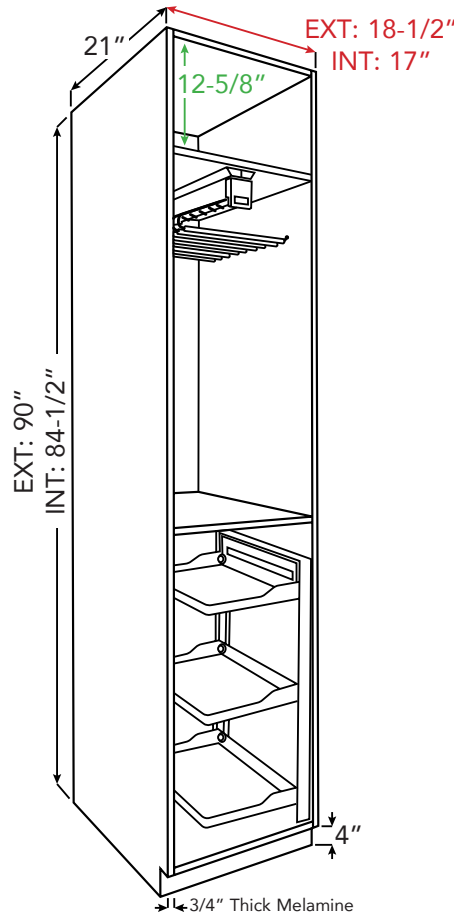
Model No.

TCBRS332190

3" deep X 4" high recessed toe kick
 Stationary shelf and rotating corner rack included



*Shown with optional accent lighting



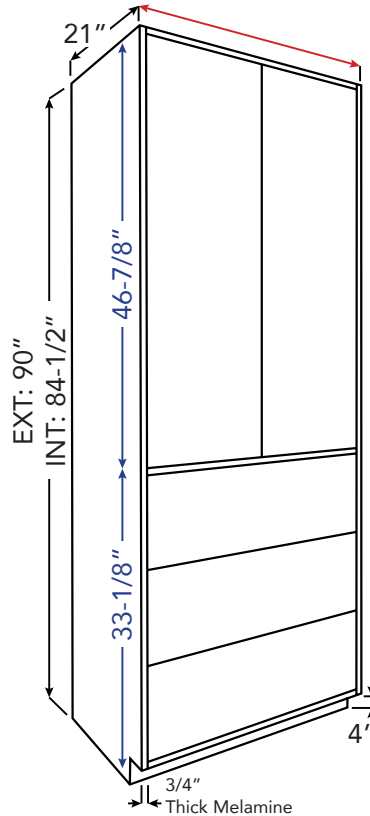
Tall Pullout Trouser & Shirt Cabinet

Model No.
TBTRSDR182190
TBTRSDL182190

3" deep X 4" high recessed toe kick
 Top mount trouser pullout brown leather
 Side mount pullout (specify right or left) good for shirts, handbags, scarves, etc.
 Brown leather wrapped with grey aluminum hardware
 Interior height to Trouser shelf is 71"



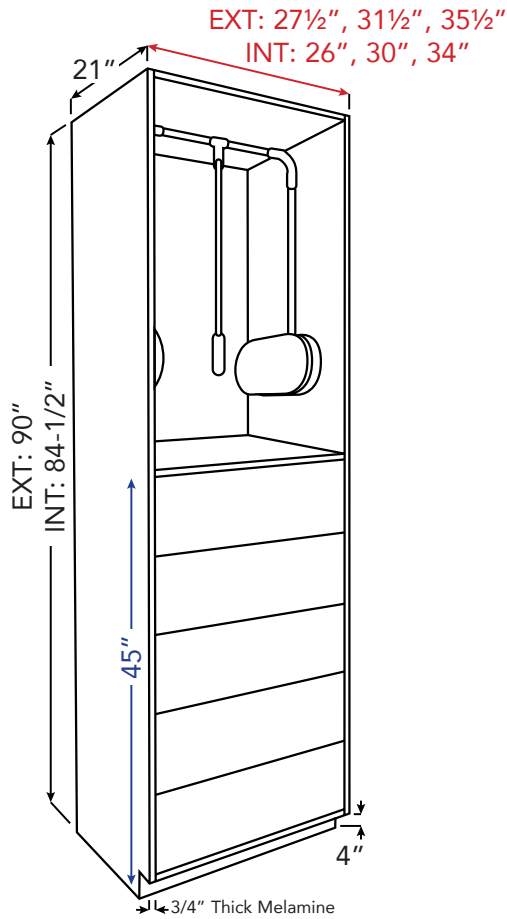
EXT: 23 1/2", 27 1/2", 31 1/2", 35 1/2"
 INT: 22", 26", 30", 34"



Tall Door / 3 Drawer Cabinet

Model No.
TBWDB232190
TBWDB272190
TBWDB312190
TBWDB352190

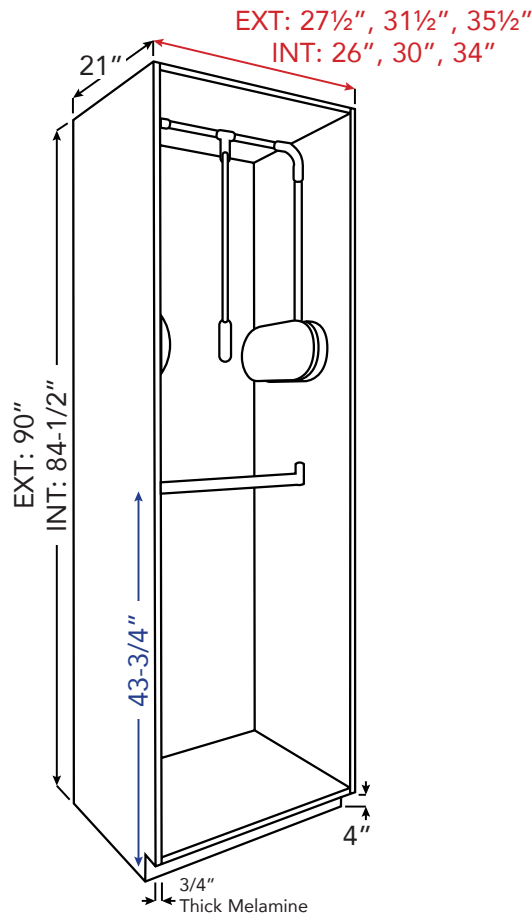
3" deep X 4" high recessed toe kick
 Two doors w/4 adjustable shelves
 Drawer base 3 equal full extension drawers 33-1/8" high



Tall Dresser DWR with Pull Down

Model No.
TBPRDB272190
TBPRDB312190
TBPRDB352190

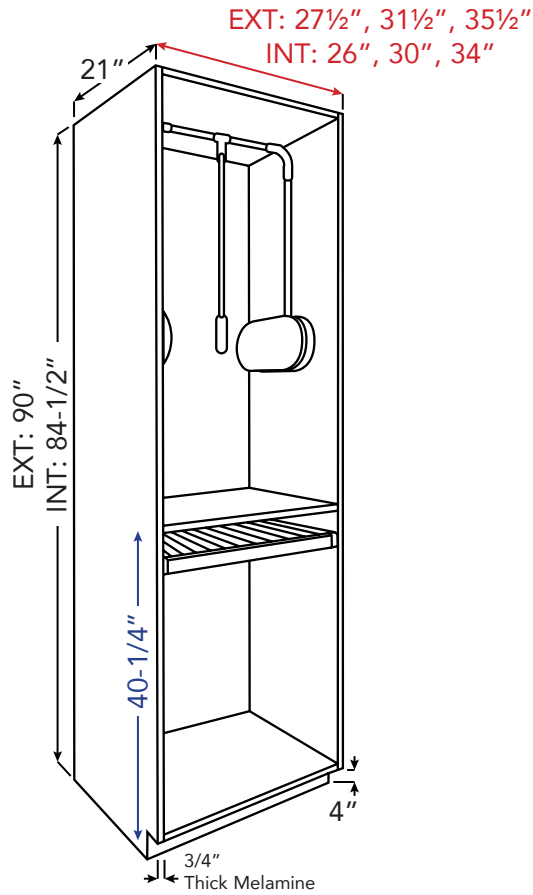
3" deep X 4" high recessed toe kick
Pull down clothes rod; slow close with grey aluminum hardware
Drawer base with 5 equal drawers 40-1/8" high



Tall Cabinet Pull Down Rod with Stationary Rod

Model No.
TBPRSR272190
TBPRSR312190
TBPRSR352190

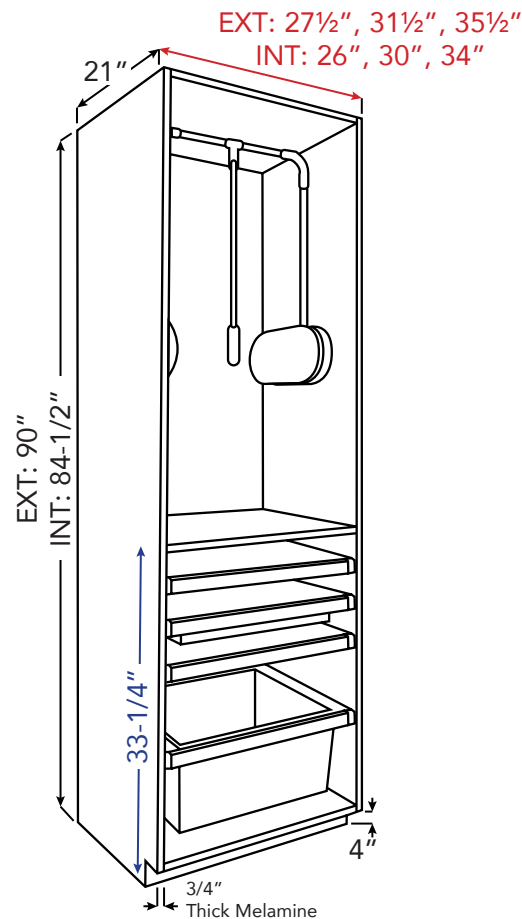
3" deep X 4" high recessed toe kick
Pull down clothes rod; slow close with grey aluminum hardware
Stationary rod lower brown leather wrapped with light diffuser
*Lighting not included, must add if desired



Tall Pull Down with Trouser Pullout

Model No.
TBPRTP272190
TBPRTP312190
TBPRTP352190

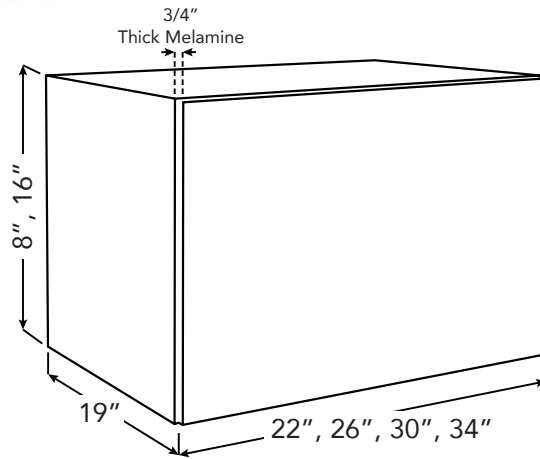
3" deep X 4" high recessed toe kick
 Pull Down clothes rod; slow close with grey aluminum hardware
 Trouser Pullout brown leather wrapped with grey aluminum hardware
 Fixed Shelf above trouser pullout



Tall Pull Down with Bins

Model No.
TBPRMB272190
TBPRMB312190
TBPRMB352190

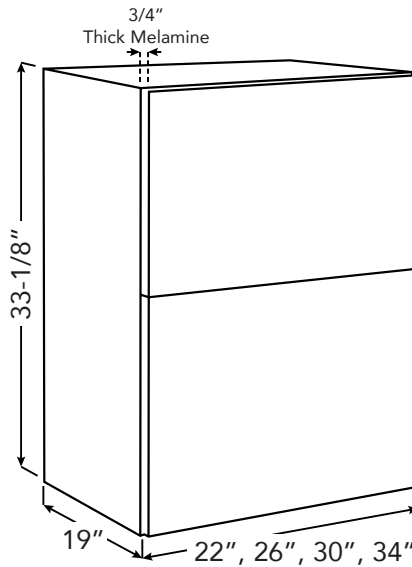
3" deep X 4" high recessed toe kick
 Pull Down clothes rod slow close with grey aluminum hardware
 Charm box
 Garment box
 Multi storage box
 Deep storage Box
 Brown leather wrapped with grey aluminum hardware
 Fixed shelf above pullout bins



Base Cabinet, No Toe Kick, 1 Drawer

Model No.
DB221908-1NT
DB261908-1NT
DB301908-1NT
DB341908-1NT
DB221916-1NT
DB261916-1NT
DB301916-1NT
DB341916-1NT

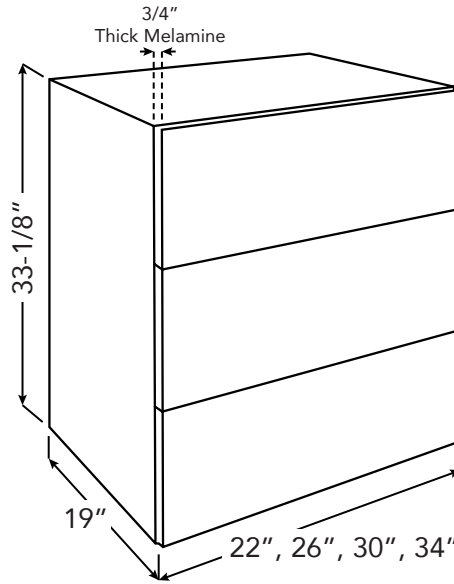
No Toe Kick
Full extension slides
3/4" melamine drawer box
3/8" melamine bottom
1 drawer



Base Cabinet, No Toe Kick, 2 Drawer

Model No.
DB221933-2NT
DB261933-2NT
DB301933-2NT
DB341933-2NT

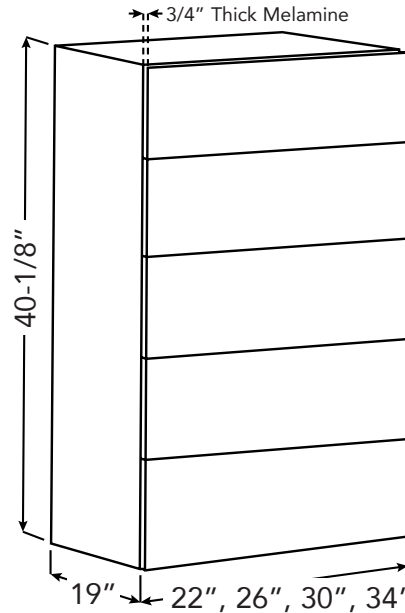
Full extension slides
3/4" melamine drawer box
3/8" melamine bottom
2 equal drawers



**Base Cabinet,
No Toe Kick,
3 Drawer**

Model No.
DB221933-3NT
DB261933-3NT
DB301933-3NT
DB341933-3NT

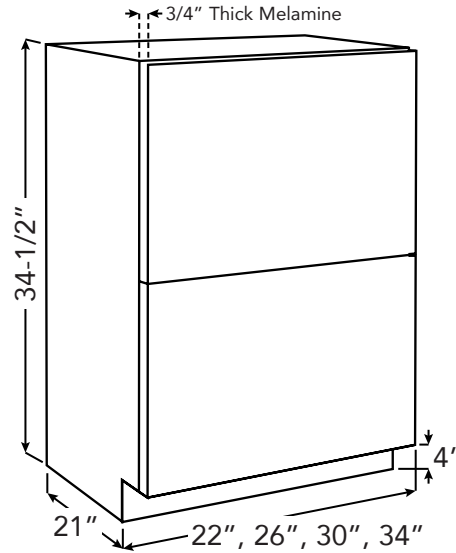
No Toe Kick
Full extension slides
3/4" melamine drawer box
3/8" melamine bottom
3 equal drawers



**Base Cabinet,
No Toe Kick,
5 Drawer**

Model No.
DB221940-5NT
DB261940-5NT
DB301940-5NT
DB341940-5NT

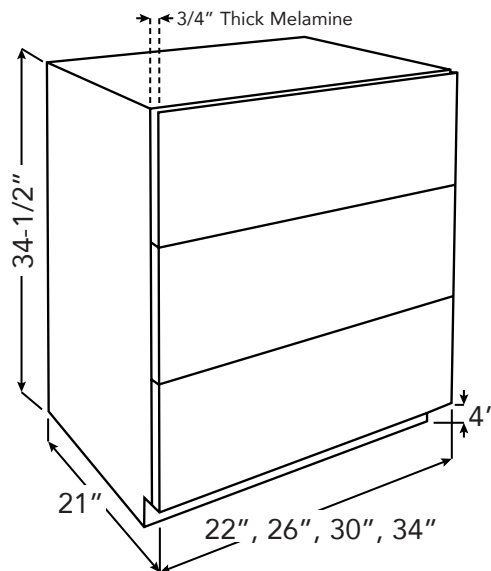
No Toe Kick
Full extension slides
3/4" melamine drawer box
3/8" melamine bottom
5 equal drawers



Base Cabinet, Toe Kick, 2 Drawer

Model No.
DB222134.5-2
DB262134.5-2
DB302134.5-2
DB342134.5-2

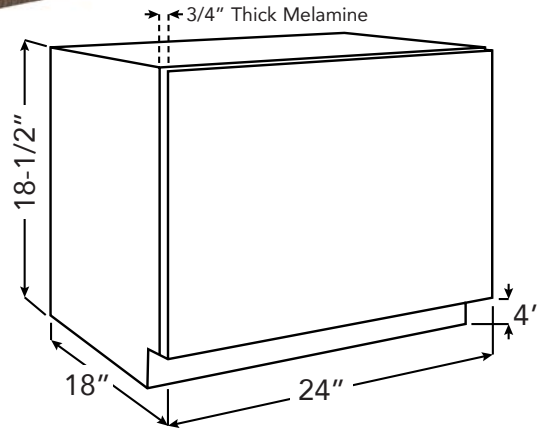
Full extension slides
3/4" melamine drawer body with 3/8" melamine bottom
3" deep x 4" high recessed Toe Kick
2 equal drawers



Base Cabinet, Toe Kick, 3 Drawer

Model No.
DB222134.5-3
DB262134.5-3
DB302134.5-3
DB342134.5-3

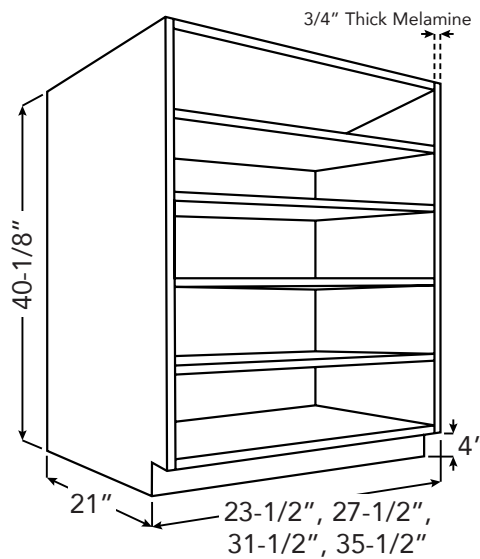
Full extension slides
3/4" melamine drawer body with 3/8" melamine bottom
3" deep x 4" high recessed Toe Kick
3 equal drawers



Bench Cabinet Toe Kick, 1 Drawer

Model No.
BD241818.5-1

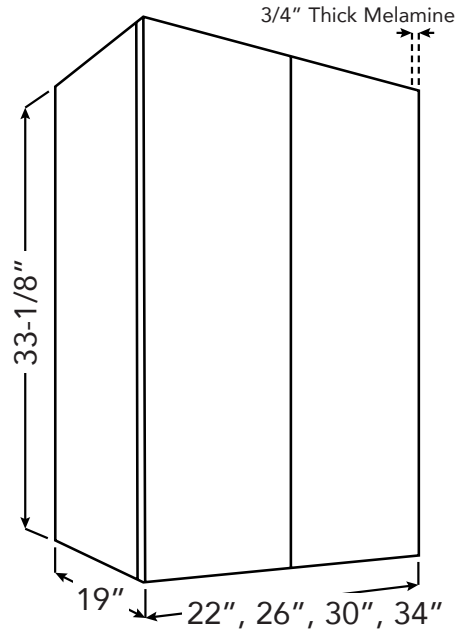
Full extension slides
3/4" melamine drawer body with 3/8" melamine bottom
3" deep x 4" high recessed Toe Kick
1 drawer



Wall Base Cabinet Open Adjustable Shelves

Model No.
WBAS232140
WBAS272140
WBAS312140
WBAS352140

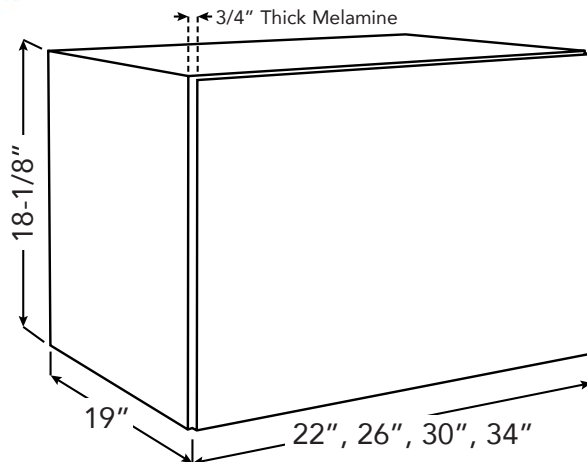
4 Adjustable Shelves
3" deep x 4" high recessed Toe Kick



Wall Base No Toe Kick

Model No.
WB221933R/L
WB261933BD
WB301933BD
WB341933BD

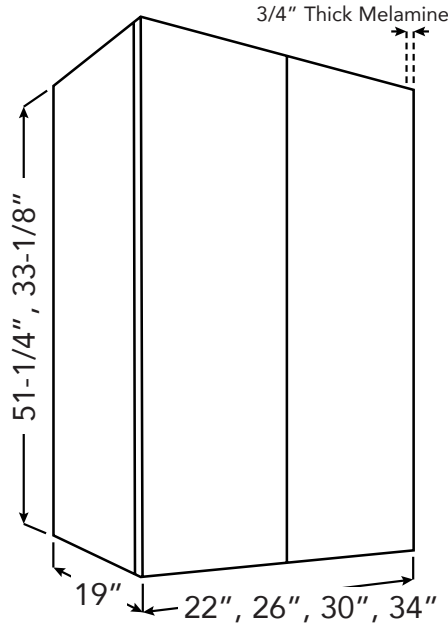
Cushion close hinges
2 adjustable shelves 3/4" melamine
*WB221933R/L has 1 door; must specify hinge location



Wall Cabinet Lift Up Door

Model No.
W221918LUH
W261918LUH
W301918LUH
W341918LUH

Lift-up door
No interior shelves
Cushion close lift up hinges



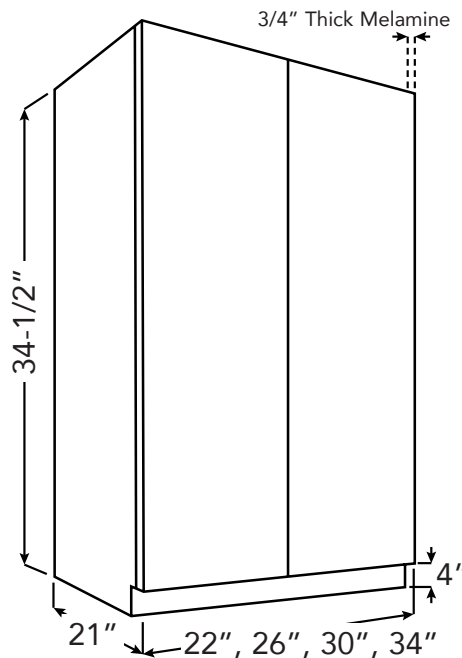
Wall Cabinet

Model No.
W221933R/L
W261933BD
W301933BD
W341933BD
W221951R/L
W261951BD
W301951BD
W341951BD

Cushion close hinges
2 adjustable shelves 3/4" melamine
*33-1/8" Tall only

Cushion close hinges
5 adjustable shelves 3/4" melamine
*51-1/4" Tall only

*W221933R/L and W221951R/L both have 1 door each; must specify hinge location



Wall Base with Toe Kick

Model No.
WB222134R/L
WB262134BD
WB302134BD
WB342134BD

Cushion close hinges
2 adjustable shelves 3/4" melamine

*WB222134R/L has 1 door; must specify hinge location



Accent Lighting

Features

- Aluminum corner channel 2 pieces
- Strip Light cool color 1 roll
- Transformer and 4 function remote included
- Shipped separate if model is not specified.

Model Number	Description
AL	Strip Lighting and adjustable lighting

(Add suffix to model) Ex. TB272190-AL



Glass Panel Insert & Mirror Panel Insert

Features

- Clear glass or mirrored glass
- Shaker Melamine door style only
- Price per square foot

Model Number	Description
GI	Glass panel, varies by door
MI	Mirror Insert, varies by door

(Add suffix to model) Ex. TB272190-GI



Dovetail Wood Drawer

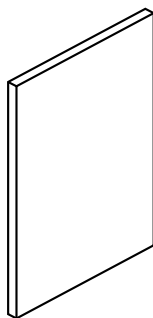
Price per drawer body

Features

- Dovetail wood drawer body with 1/4" bottom panel

Model Number	Description
DWD	Wooden drawer available for cabinets

(Add suffix to model) Ex. DB301933-2NT-DWD



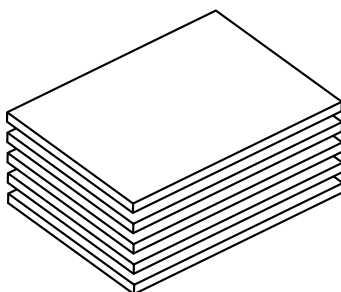
Full Height Door - Price per door (up to 24" wide)

Features

- Melamine edge banded door
 - Concealed hinges
- *Must select cabinet box this will be attached to.

Model Number	Description
FHD	Full Height Door

(Add suffix to model) Ex. TB232190-FHD



Adjustable Shelving

Shipped separate if model is not specified

Features

- 5 Adjustable 3/4" shelves
- Interior shelf pin holes

Model Number	Description
AS	5 Adjustable Shelves

(Add suffix to model) Ex. TB272190-AS





CLOSET ACCESSORIES

Fillers	Panels	Storage
Storage	Baskets	Racks
Mirrors	Hangers	

SAMUEL
MÜLLER

Samuel Mueller Closet Accessories are crafted from luxurious brown leather and sleek grey aluminum, designed to create a highly functional and well-organized closet system that you'll enjoy for years to come.



Our diverse range of accessories includes jewelry storage, garment racks, trouser racks, pull-down clothes rods, and much more. We offer the flexibility to customize every closet to perfectly fit your unique needs and lifestyle.



Each Accessory is available in *Brown Leather* with *High Grade Grey Aluminum*



Jewelry Box

Model No.	Size (WxDxH)
JB-22	22-1/8" x 18-11/16" x 1-31/32"
JB-26	26-1/8" x 18-11/16" x 1-31/32"
JB-30	30-1/8" x 18-11/16" x 1-31/32"
JB-34	34" x 18-11/16" x 1-31/32"

Portable jewelry boxes
Flocking free storage jewelry box
Storage for bracelets, watches, brooches, etc.
Brown leather, High Grade grey aluminum



Multi Functional Storage Box

Model No.	Size (WxDxH)
MFB-22	22-1/8" x 18-11/16" x 1-31/32"
MFB-26	26-1/8" x 18-11/16" x 1-31/32"
MFB-30	30-1/8" x 18-11/16" x 1-31/32"
MFB-34	34" x 18-11/16" x 1-31/32"

Open simple storage compartment
Storage for gloves, scarves, towels, etc.
Brown leather, High Grade grey aluminum



Garment Storage Box

Model No.	Size (WxDxH)
GSB-22	22-3/16" x 18-11/16" x 3-3/8"
GSB-26	26-1/8" x 18-11/16" x 3-3/8"
GSB-30	30-1/8" x 18-11/16" x 3-3/8"
GSB-34	34" x 18-11/16" x 3-3/8"

Simple storage compartments
Storage for undergarments, etc.
Brown leather, High Grade grey aluminum



Deep Leather Storage Box

Model No.	Size (WxDxH)
DLB-22	22-3/16" x 18-11/16" x 9-7/8"
DLB-26	26-1/8" x 18-11/16" x 9-7/8"
DLB-30	30-1/8" x 18-11/16" x 9-7/8"
DLB-34	34" x 18-11/16" x 9-7/8"

Universal aluminum alloy frame for one-piece leather basket
Storage for clothing, blankets, towels, etc.
Brown leather, High Grade grey aluminum



Side Basket

Model No.	Size (WxDxH)
SB-14L	14" x 18-5/16" x 30-11/16"
SB-14R	14" x 18-5/16" x 30-11/16"

Side-drawer for convenient pick and display
Storage for wallets, handbags, scarves, etc.
L = Left side mount
R = Right side mount
Brown leather, High Grade grey



Top Mounting Trouser Rack

Model No.	Size (WxDxH)
TR-14	13-3/4" x 17-13/16" x 6-3/4"

Intuitive display and easy to pick
Storage for pants
Brown leather, High Grade grey aluminum



Trouser Rack

Model No.	Size (WxDxH)
TSR-22	22-3/16" x 18-11/16" x 1-31/32"
TSR-26	26-3/16" x 18-11/16" x 1-31/32"
TSR-30	30-3/16" x 18-11/16" x 1-31/32"
TSR-34	34" x 18-11/16" x 1-31/32"

Storage space for pants increased
Belt storage compartment added
Brown leather, High Grade grey aluminum



Tie Rack

Model No.	Size (WxDxH)
TR-3	3-11/32" x 17-1/2" x 3-3/4"

Store neatly and display intuitively
Easy to take
Black plastic, High Grade grey aluminum



Slide-out Mirror

Model No.	Size (WxDxH)
SM-1	1-13/16" x 14-9/16" x 66-15/16"

5-1/2" full length mirror
Clothing matching with clear view.
Side mount pullout for full view.



3 in 1 Corner Unit

Model No.	Size (WxDxH)
CR-28	28-11/32" x 74-13/16" x 82-21/32"

Utilization of corner cabinet
Storage for suitcase and clothing
Brown leather, High Grade grey



Oval Clothes Rail

Model No.	Size (WxDxH)
HR-96	96"
HR-36	36"
HRH-2	1" x 3/4" x 3"

Grey clothing rails
Hanging rod holder, 2 per set
Accommodates optional lighting with concealed channel and diffuser



Rotating Shoe Rack

Model No.	Size (WxDxH)
RST-27-4	27" x 14" x 32-38"
RST-27-12	27" x 14" x 76-83"

Storage for a big number of shoes
4 tier base
12 tier tall
Brown leather, High Grade grey aluminum



Pull Down Clothes Rod

Model No.	Size (WxDxH)
PR26-34	26-5/32" - 34" x 11-13/32" x 31-3/16"

Storage for clothing with closet high area
 Convenient to take clothes
 Black Plastic, High Grey grey aluminum

Master Closet Construction & Modifications

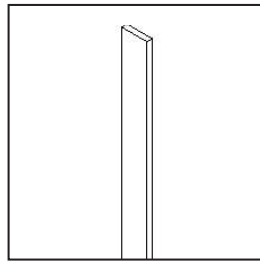
*See spec book for availability

IH	Increase Height
RH	Reduce Height
IW	Increase Width
RW	Reduce Width
ID	Increase Depth
RD	Reduce Depth

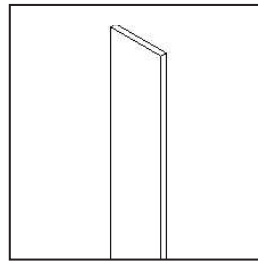
FHD	Full Height Door
-----	------------------

DWD	Dovetail Wood Drawer
GI	Glass Insert
AP	Accent Panel Insert
MI	Mirror Insert
AS	Adjustable Shelving
AL	Accent Lighting

Fillers

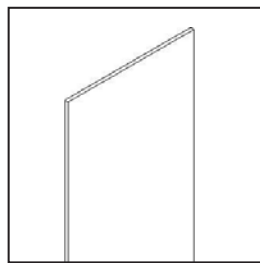


Tall Filler
TF390

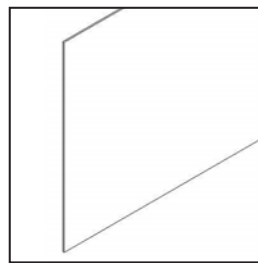


Tall Filler
TF690

Panels

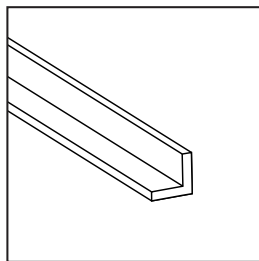


Tall End Panel
TEP3/43090

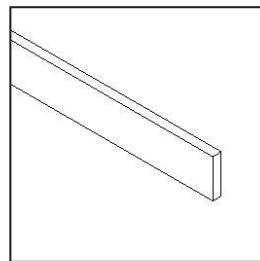


Back Panel
PAN3/834.548

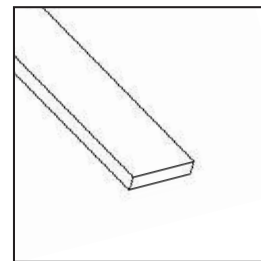
Moldings



Outside Corner
OSC1X196



Toe Kick
TK496



Batten
BN1.596

Model Number

TF390

TF690

TEP3/43090

PAN³/₈34.548

OSC1X196

TK496

BN1.596

Hardware Colors

*Actual product color may vary slightly.



Brushed Gold
MDB



Polished Chrome
026



Brushed Nickel
BPN



Matte Black
055

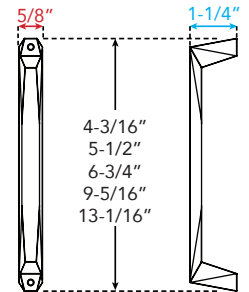


Champagne
0CZ



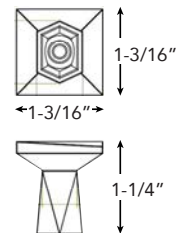
Swagger Modern Pull

Model No.	Description	Width	Height	Depth
2387-1MDB-P	Brushed Gold 96mm CC Modern Pull	4-3/16"	1-1/4"	5/8"
2388-1026-P	Polished Chrome 96mm CC Modern Pull	4-3/16"	1-1/4"	5/8"
2386-1BPN-P	Brushed Nickel 96mm CC Modern Pull	4-3/16"	1-1/4"	5/8"
2395-1055-P	Matte Black 96mm CC Modern Pull	4-3/16"	1-1/4"	5/8"
2364-1MDB-P	Brushed Gold 128mm CC Modern Pull	5-1/2"	1-1/4"	5/8"
2313-1026-P	Polished Chrome 128mm CC Modern Pull	5-1/2"	1-1/4"	5/8"
2312-1BPN-P	Brushed Nickel 128mm CC Modern Pull	5-1/2"	1-1/4"	5/8"
2396-1055-P	Matte Black 128mm CC Modern Pull	5-1/2"	1-1/4"	5/8"
2365-1MDB-P	Brushed Gold 160mm CC Modern Pull	6-3/4"	1-1/4"	5/8"
2316-1026-P	Polished Chrome 160mm CC Modern Pull	6-3/4"	1-1/4"	5/8"
2315-1BPN-P	Brushed Nickel 160mm CC Modern Pull	6-3/4"	1-1/4"	5/8"
2397-1055-P	Matte Black 160mm CC Modern Pull	6-3/4"	1-1/4"	5/8"
2366-1MDB-P	Brushed Gold 224mm CC Modern Pull	9-5/16"	1-1/4"	5/8"
2319-1026-P	Polished Chrome 224mm CC Modern Pull	9-5/16"	1-1/4"	5/8"
2318-1BPN-P	Brushed Nickel 224mm CC Modern Pull	9-5/16"	1-1/4"	5/8"
2398-1055-P	Matte Black 224mm CC Modern Pull	9-5/16"	1-1/4"	5/8"
2367-1MDB-P	Brushed Gold 320mm CC Modern Pull	13-1/16"	1-1/4"	5/8"
2322-1026-P	Polished Chrome 320mm CC Modern Pull	13-1/16"	1-1/4"	5/8"
2321-1BPN-P	Brushed Nickel 320mm CC Modern Pull	13-1/16"	1-1/4"	5/8"
2411-1055-P	Matte Black 320mm CC Modern Pull	13-1/16"	1-1/4"	5/8"



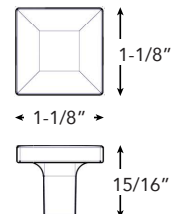
Swagger Modern Knob

Model No.	Description	Width	Height	Depth
2368-1MDB-P	Brushed Gold Modern Knob	1-3/16"	1-1/4"	1-3/16"
2325-1026-P	Polished Chrome Modern Knob	1-3/16"	1-1/4"	1-3/16"
2324-1BPN-P	Brushed Nickel Modern Knob	1-3/16"	1-1/4"	1-3/16"
2394-1055-P	Matte Black Modern Knob	1-3/16"	1-1/4"	1-3/16"



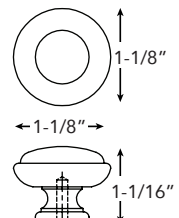
Contemporary Advantage One Square Knob

Model No.	Description	Width	Height	Depth
0949-1BPN-P	Brushed Nickel Square Knob	1-1/8"	15/16"	1-1/8"
0950-1026-P	Polished Chrome Square Knob	1-1/8"	15/16"	1-1/8"
0951-1055-P	Matte Black Square Knob	1-1/8"	15/16"	1-1/8"
0952-10CZ-P	Champagne Square Knob	1-1/8"	15/16"	1-1/8"



Traditional Advantage One Round Knob

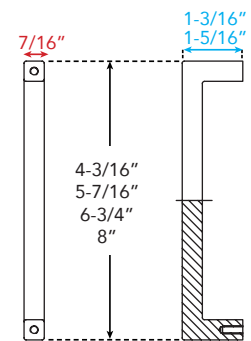
Model No.	Description	Width	Height	Depth
0911-126-P	Polished Chrome Round Knob	1-1/8"	1-1/16"	1-1/8"
0913-1BPN-P	Brushed Nickel Round Knob	1-1/8"	1-1/16"	1-1/8"
9021-1055-P	Matte Black Round Knob	1-1/8"	1-1/16"	1-1/8"
0912-10CZ-P	Champagne Round Knob	1-1/8"	1-1/16"	1-1/8"



Contemporary Advantage One Square Pull



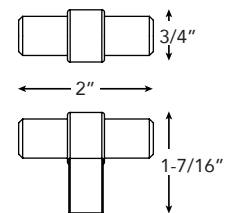
Model No.	Description	Width	Height	Depth
9009-4BPN-P	Brushed Nickel 96mm CC Square Pull	4-3/16"	1-3/16"	7/16"
9010-4026-P	Polished Chrome 96mm CC Square Pull	4-3/16"	1-3/16"	7/16"
9011-4055-P	Matte Black 96mm CC Square Pull	4-3/16"	1-3/16"	7/16"
9025-40CZ-P	Champagne 96mm CC Square Pull	4-3/16"	1-3/16"	7/16"
9012-4BPN-P	Brushed Nickel 128mm CC Square Pull	5-7/16"	1-3/16"	7/16"
9013-4026-P	Polished Chrome 128mm CC Square Pull	5-7/16"	1-3/16"	7/16"
9014-4055-P	Matte Black 128mm CC Square Pull	5-7/16"	1-3/16"	7/16"
9026-40CZ-P	Champagne 128mm CC Square Pull	5-7/16"	1-3/16"	7/16"
9015-4BPN-P	Brushed Nickel 160mm CC Square Pull	6-3/4"	1-3/16"	7/16"
9016-4026-P	Polished Chrome 160mm CC Square Pull	6-3/4"	1-3/16"	7/16"
9017-4055-P	Matte Black 160mm CC Square Pull	6-3/4"	1-3/16"	7/16"
9027-40CZ-P	Champagne 160mm CC Square Pull	6-3/4"	1-3/16"	7/16"
9018-4BPN-P	Brushed Nickel 192mm CC Square Pull	8"	1-5/16"	7/16"
9019-4026-P	Polished Chrome 192mm CC Square Pull	8"	1-5/16"	7/16"
9020-4055-P	Matte Black 192mm CC Square Pull	8"	1-5/16"	7/16"
9028-40CZ-P	Champagne 192mm CC Square Pull	8"	1-5/16"	7/16"



Radial Reign Modern Knob



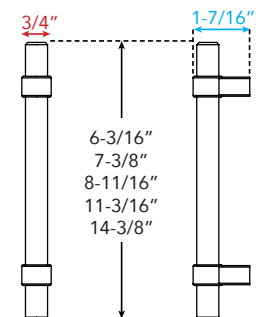
Model No.	Description	Width	Height	Depth
5030-4026-P	Polished Chrome Modern Knob	2"	1-7/16"	3/4"
5024-4BPN-P	Brushed Nickel Modern Knob	2"	1-7/16"	3/4"
5036-4055-P	Matte Black Modern Knob	2"	1-7/16"	3/4"
5048-4MDB-P	Brushed Gold Modern Knob	2"	1-7/16"	3/4"



Radial Reign Modern Pull



Model No.	Description	Width	Height	Depth
5031-4026-P	Polished Chrome 96mm Modern Pull	6-3/16"	1-7/16"	3/4"
5025-4BPN-P	Brushed Nickel 96mm Modern Pull	6-3/16"	1-7/16"	3/4"
5037-4055-P	Matte Black 96mm Modern Pull	6-3/16"	1-7/16"	3/4"
5049-4MDB-P	Brushed Gold 96mm Modern Pull	6-3/16"	1-7/16"	3/4"
5032-4026-P	Polished Chrome 128mm Modern Pull	7-3/8"	1-7/16"	3/4"
5026-4BPN-P	Brushed Nickel 128mm Modern Pull	7-3/8"	1-7/16"	3/4"
5038-4055-P	Matte Black 128mm Modern Pull	7-3/8"	1-7/16"	3/4"
5050-4MDB-P	Brushed Gold 128mm Modern Pull	7-3/8"	1-7/16"	3/4"
5033-4026-P	Polished Chrome 160mm Modern Pull	8-11/16"	1-7/16"	3/4"
5027-4BPN-P	Brushed Nickel 160mm Modern Pull	8-11/16"	1-7/16"	3/4"
5039-4055-P	Matte Black 160mm Modern Pull	8-11/16"	1-7/16"	3/4"
5051-4MDB-P	Brushed Gold 160mm Modern Pull	8-11/16"	1-7/16"	3/4"
5034-4026-P	Polished Chrome 224mm Modern Pull	11-3/16"	1-7/16"	3/4"
5028-4BPN-P	Brushed Nickel 224mm Modern Pull	11-3/16"	1-7/16"	3/4"
5040-4055-P	Matte Black 224mm Modern Pull	11-3/16"	1-7/16"	3/4"
5052-4MDB-P	Brushed Gold 224mm Modern Pull	11-3/16"	1-7/16"	3/4"
5035-4026-P	Polished Chrome 12" Modern Pull	14-3/8"	1-7/16"	3/4"
5029-4BPN-P	Brushed Nickel 12" Modern Pull	14-3/8"	1-7/16"	3/4"
5041-4055-P	Matte Black 12" Modern Pull	14-3/8"	1-7/16"	3/4"
5053-4MDB-P	Brushed Gold 12" Modern Pull	14-3/8"	1-7/16"	3/4"





INSET CABINETS

Tall Cabinets
 Drawers Stationary Rods
 Shoe Rack Cabinet Pullout

Samuel Mueller **Inset Closet System** provides a beautifully crafted upgrade to your standard closet. Simply measure your existing opening, select the pieces that best fit your needs, and remove the old door system. After cutting to the appropriate height and width, insert your new closet and plug in the lighting.



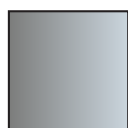
The result? A stunning, custom look that transforms a once underutilized space into a highly functional, aesthetically pleasing closet. Maximize every inch of your storage with a system designed for both style and efficiency.

INSET CABINETS

new and existing construction



FINGER PULLS



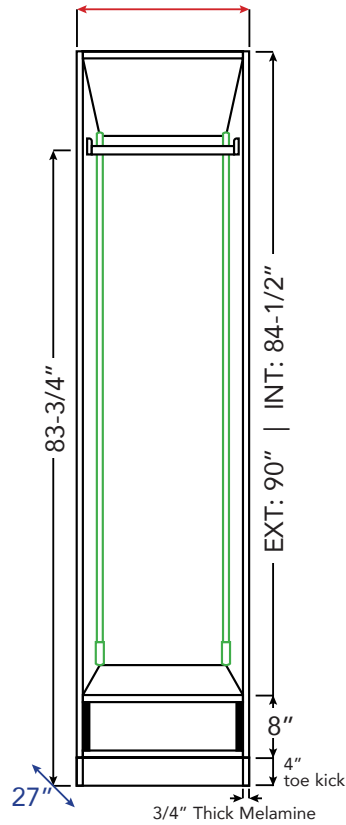
Brushed Nickel
BN



Matte Black
MB

*Actual product color may vary slightly.

EXT: 18½", 23½", 27½", 31½", 35½"
INT: 17", 22", 26", 30", 34"



Tall Cabinet, Stationary Rod, 1 Drawer

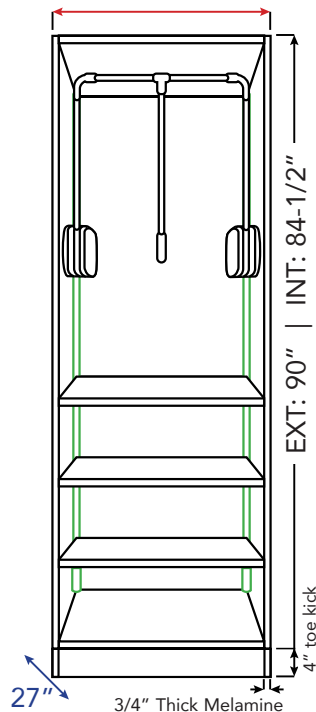
Model No.
TBSRDBSC182790R/L
TBSRDBSC232790
TBSRDBSC272790
TBSRDBSC312790
TBSRDBSC352790

Full height doors
*Single door on 18-1/2" wide; must specify hinge location
8" single drawer
4" high flush toe kick
Ample room for tall clothing
Grey clothing rail

Includes Finger Pulls
*Must select color
(see page 138 for colors)

*Cabinet shown with optional lighting (not included)

EXT: 23½", 27½", 31½", 35½"
INT: 22", 26", 30", 34"



Tall Cabinet Pull Down Rod with 3 Shelves

Model No.
TCPDR3-232790
TCPDR3-272790
TCPDR3-312790
TCPDR3-352790

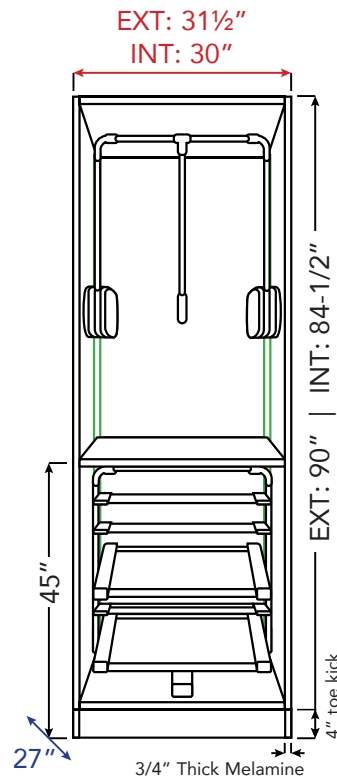
Pull down clothes rod; slow close grey aluminum hardware
3 Adjustable Shelves
4" high flush toe kick
Full height doors

Includes Finger Pulls
*Must select color
(see page 138 for colors)

*Cabinet shown with optional lighting (not included)

INSET CABINETS

TALL CABINETS Shoe Rack, Stationary Rods



Tall Cabinet, Shoe Rack

Model No.

TBBSSC312790

TBTSSC312790

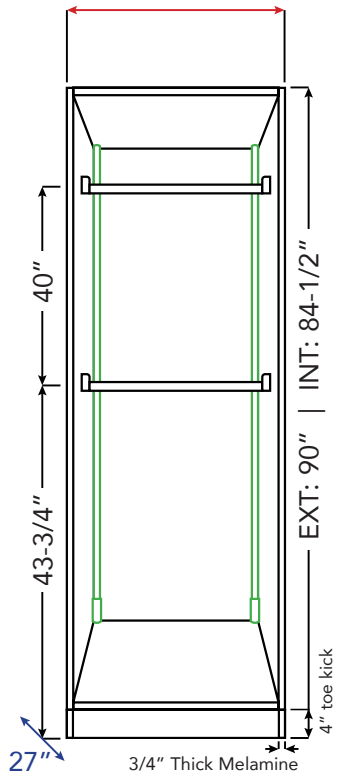
1 interior shelf (stationary)
 Rotating shoe rack in 12 tier or 4 tiers, brown leather wrapped with grey aluminum hardware
 4" high flush toe kick
 4 tier shoe rack includes Pull Down clothes rod;
 slow close grey aluminum hardware
 Full height doors
 12 tier shoe rack includes 1 interior shelf above

Includes Finger Pulls
 *Must select color
 (see page 138 for colors)

TBBS - interior height 32-3/8" base shoe rack
 TBTS - interior height 76" tall shoe rack

*Cabinet shown with optional lighting (not included)

EXT: 18½", 23½", 27½", 31½", 35½"
 INT: 17", 22", 26", 30", 34"



Tall Cabinet, Stationary Rods

Model No.

TBSRSC182790R/L

TBSRSC232790

TBSRSC272790

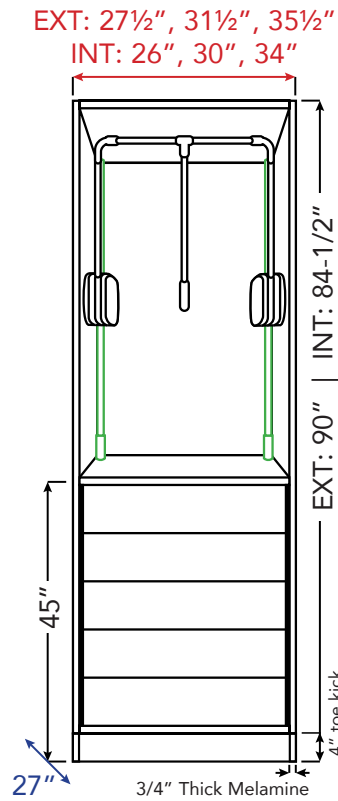
TBSRSC312790

TBSRSC352790

Interior height 84-1/2"
 Stationary rods with light diffusers
 4" high flush toe kick
 Full height doors
 *Single door on 18-1/2" wide; must specify hinge location

Includes Finger Pulls
 *Must select color
 (see page 138 for colors)

*Cabinet shown with optional lighting (not included)



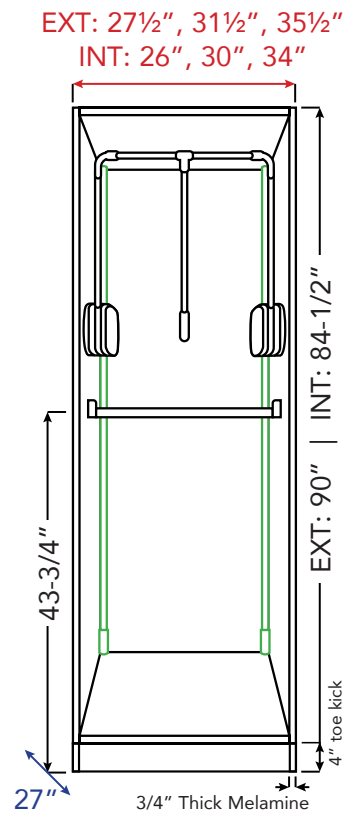
Tall Dresser DWR with Pull Down

Model No.
TBPRDBSC272790
TBPRDBSC312790
TBPRDBSC352790

- 1 interior shelf (stationary)
- 4" high flush toe kick
- Full height doors
- 40" high 5 drawer base
- Pull Down clothes rod; slow close grey aluminum hardware

Includes Finger Pulls
*Must select color
(see page 138 for colors)

*Cabinet shown with optional lighting (not included)



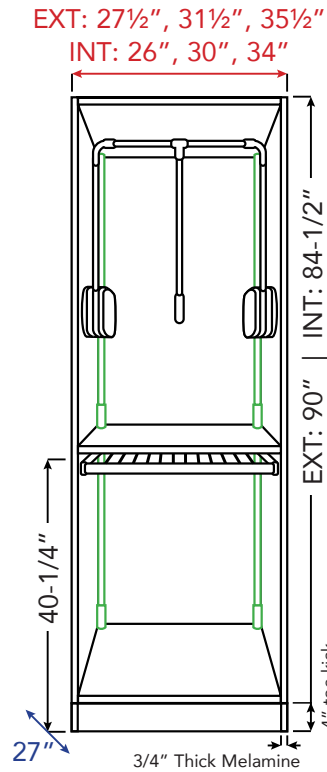
Tall Cabinet Pull Down Rod with Stationary Rod

Model No.
TBPRSRSC272790
TBPRSRSC312790
TBPRSRSC352790

- Pull down clothes rod; slow close grey aluminum hardware
- Stationary rod Lower
- 4" high flush toe kick
- Full height doors

Includes Finger Pulls
*Must select color
(see page 138 for colors)

*Cabinet shown with optional lighting (not included)



Tall Cabinet Pull Down with Trouser Pullout

Model No.

TBPRTPSC272790

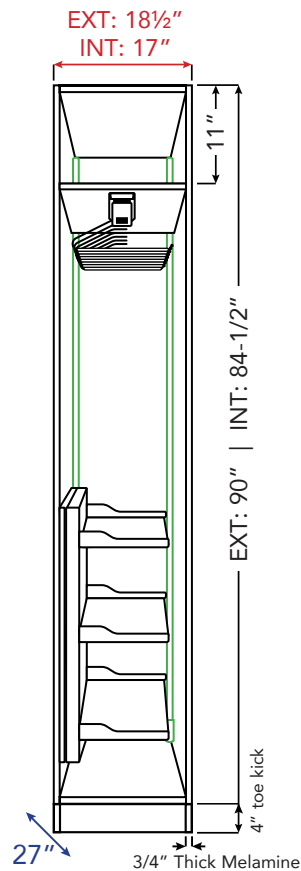
TBPRTPSC312790

TBPRTPSC352790

1 interior shelf (stationary)
4" high flush toe kick
Full height doors
Pull Down clothes rod; slow close grey aluminum hardware
Pullout trouser rack

Includes Finger Pulls
*Must select color
(see page 138 for colors)

*Cabinet shown with optional lighting (not included)



Tall Cabinet Pullout Trouser & Shirt Pullout

Model No.

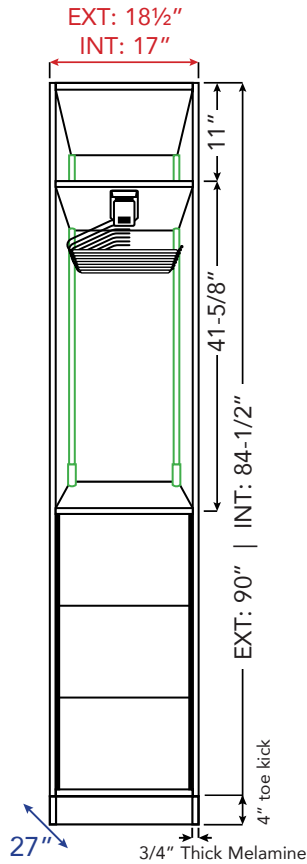
TBTRSDSC182790R

TBTRSDSC182790L

Open shelf above trouser pullout
Top mount trouser pullout brown leather
Side mount pullout (specify right or left hinge location) good for shirts, handbags, scarves, etc.
Brown leather wrapped with grey aluminum hardware
Interior height to Trouser shelf is 71"
4" high flush toe kick
Single door; must specify hinge location

Includes Finger Pulls
*Must select color
(see page 138 for colors)

*Cabinet shown with optional lighting (not included)



Tall Cabinet, Top Mount Trouser Pullout with 3 Drawer Base

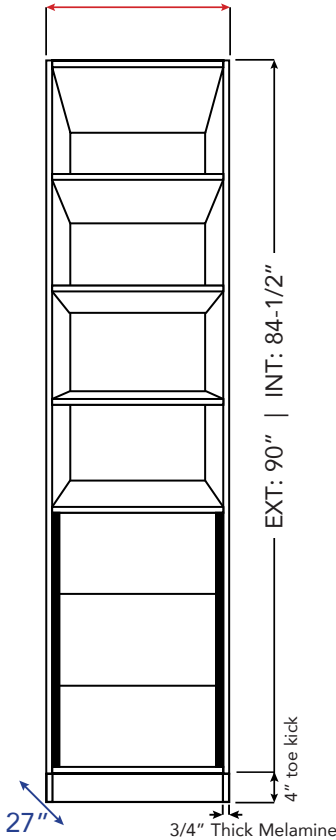
Model No.
TBTRDBSC182790R
TBTRDBSC182790L

Open shelf above trouser pullout
 Drawer base with 3 equal melamine drawers
 Grey aluminum stationary clothes rod
 4" high flush toe kick
 Single door; must specify hinge location

Includes Finger Pulls
 *Must select color
 (see page 138 for colors)

*Cabinet shown with optional lighting (not included)

EXT: 18 1/2", 23 1/2", 27 1/2", 31 1/2", 35 1/2"
 INT: 17", 22", 26", 30", 34"



Tall Linen Closet, 3 Shelves & 3 Drawer Stack

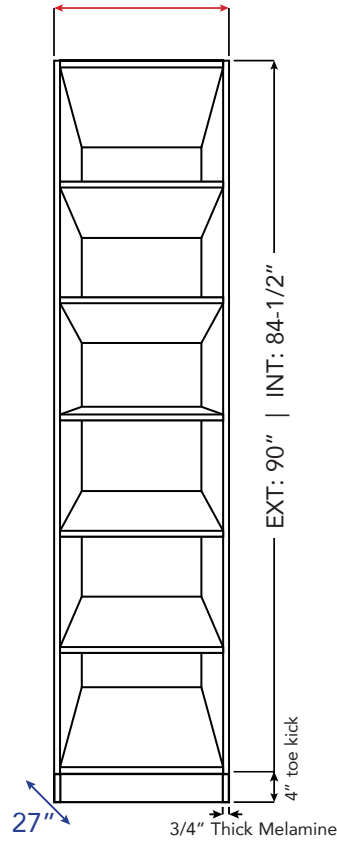
Model No.
TCSDB182790R/L
TCSDB232790
TCSDB272790
TCSDB312790
TCSDB352790

3 Adjustable Shelves
 3 Drawer Base melamine drawers
 4" high flush toe kick
 Full height doors
 *Single door 18-1/2" wide; must specify hinge location

Includes Finger Pulls
 *Must select color
 (see page 138 for colors)

INSET CABINETS TALL CABINETS 5 Shelves

EXT: 18½", 23½", 27½", 31½", 35½"
INT: 17", 22", 26", 30", 34"



Tall Linen Closet, 5 Shelves

Model No.

TL5SH182790R/L

TL5SH232790

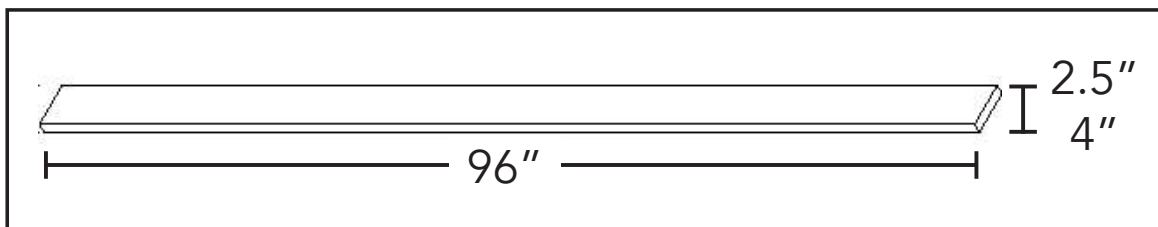
TL5SH272790

TL5SH312790

TL5SH352790

5 Adjustable shelves
4" high flush toe kick
Full height doors
*Single door 18-1/2" wide; must specify hinge location

Includes Finger Pulls
*Must select color
(see page 138 for colors)



Fillers

Model No.

TFS-496

TFS-2.596

2.5" x 96" Tall filler finished on 4 long sides
4" x 96" Tall filler finished on 4 long sides

Duration	Product
Lifetime Limited Residential	Door Hinges Drawer Glides
5-Year Limited Residential	Cabinets Closet Systems Vanities

Samuel Mueller® Cabinet Warranty Details

Samuel Mueller® guarantees to the original consumer purchaser that its cabinets are manufactured to be free from defects in materials and craftsmanship for five (5) years when used under normal residential conditions. Door hinges and drawer glides are warranted to be free from defects in materials and craftsmanship for the lifetime of the product under normal residential use. Proof of purchase is required for the warranty to be valid. This warranty applies only to the first owner and cannot be transferred. No representative or dealer is authorized to modify or extend this warranty.

This warranty does not cover replacements and/or corrections caused by misuse, improper maintenance, normal wear and tear, acts of nature, accidents, alterations, modifications, incorrect installation, poor storage or handling, exposure to environmental extremes, or any damage caused after the product leaves our facility. This warranty covers the product for normal interior use and does not cover the product when it has been moved from its original place of installation. The warranty is invalid if the product is used for applications other than their intended purpose. Labor costs of any kind are not covered.

At its discretion, Samuel Mueller® may choose to repair the affected component or replace it with a comparable item. Replacement parts may vary slightly from the originals due to changes in materials or availability. In some cases, the return of the defective product may be required for evaluation. While repair or replacement parts are provided at no charge, Samuel Mueller® will NOT cover the expenses related to shipping the replacement part to the customer, including any shipping charges, duties, or additional costs associated with the shipment of the replacement item. Replacements and/or corrections are at the sole discretion of Samuel Mueller® and will be limited in scope to a reasonable and equitable remedy.

Because wood is a natural material, variation in color, grain, and texture is normal and expected. These characteristics, along with natural changes that occur as wood ages, are not considered defects. Natural changes that occur include but are not limited to mellowing or darkening due to light, humidity, cleaners, smoke, or household conditions. Cabinets with hand-applied finishes, including glazes, may show subtle differences from piece to piece as hand applications naturally include variations and possible random drips or runs. Painted doors may also develop small joint lines over time as the wood expands and contracts. These traits are normal and not covered under warranty.

This warranty is valid only in the United States, Canada, and Mexico. Any implied warranties last only as long as the period allowed by law or the duration of this warranty, whichever is shorter. To the extent allowed by law, Samuel Mueller® is not responsible for special, incidental, or consequential damages. Some states do not allow certain limitations, so these exclusions may not apply to every consumer.

This limited warranty applies to Samuel Mueller® products that were purchased after August 1, 2024. For service under this Limited Warranty, please contact the authorized Samuel Mueller® dealer where the product was purchased. Samuel Mueller® must be notified in writing for any claim, providing your name and address, a description of the product involved, the nature of the defect or failure, and proof of purchase and date of purchase. Repair or replacement shall not include any labor charges. This limited warranty is non-transferable. Warranty problems should be submitted to: Samuel Mueller® 800 Bronze Rd. Warren, OH 44483, email sales@samuelmueller.com or by submitting the Samuel Mueller® Warranty Claim form as found at www.samuelmueller.com.

THIS LIMITED WARRANTY IS IN LIEU OF ALL OTHER WARRANTIES, AND SAMUEL MUELLER® EXPRESSLY DISCLAIMS ALL OTHER WARRANTIES, EXPRESS OR IMPLIED, INCLUDING WITHOUT LIMITATION ANY IMPLIED WARRANTY OF MERCHANTABILITY OR FITNESS FOR A PARTICULAR PURPOSE. THIS LIMITED WARRANTY SETS FORTH THE PURCHASER'S SOLE REMEDY IN CONNECTION WITH THE SALE OR USE OF PRODUCTS COVERED BY THIS LIMITED WARRANTY AND IN NO EVENT SHALL SAMUEL MUELLER® BE OTHERWISE LIABLE FOR ANY LOSS, DAMAGE OR INJURY OF ANY NATURE ARISING OUT OF THE SALE OR USE OF THE PRODUCTS DELIVERED HEREUNDER, WHETHER FOR NEGLIGENCE, BREACH OF CONTRACT OR UNDER ANY OTHER LEGAL OR EQUITABLE THEORY. SAMUEL MUELLER® SHALL NOT BE LIABLE FOR ANY INDIRECT, SPECIAL OR CONSEQUENTIAL DAMAGES ARISING OUT OF THE SALE OR USE OF SUCH PRODUCTS, INCLUDING BUT NOT LIMITED TO LOST PROFITS, REVENUES, ANTICIPATED SALES, BUSINESS OPPORTUNITIES OR FOR INTERRUPTION OF BUSINESS*.

*Some states do not allow the exclusion or limitation of incidental or consequential damages, so the above limitation or exclusion may not apply to you. This warranty gives you specific legal rights, and you may also have other rights which may vary from state to state.

Duration	Product
Lifetime Limited Residential 1-Year Limited Commercial	Stainless Steel Kitchen Sinks
10-Year Limited Residential 3-Year Limited Commercial	Acrylic Solid Surface Countertops Vanity Tops
5-Year Limited Residential 1-Year Limited Commercial	Vitreous China Lavatory Sinks
5-Year Limited Residential	Framed Mirrors
1-Year Limited Residential	Fireclay & Marble Lavatory Sinks LED Mirrors

Samuel Müller® Warranty Details

Samuel Müller® expressly warrants its products as listed above to be free of defects in material and workmanship, subject to the limitations set forth in this Limited Warranty. Each product will function for the purpose for which it was designed for the period designated above from the date of purchase to the original buyer. The warranty above is only valid if the product has been installed in accordance with the installation instructions provided by Samuel Müller®, used as recommended, and not damaged due to excessive heat or abuse. Granite and marble are natural stone products; therefore, Samuel Müller® does not guarantee against variations in color, markings, vein directions, imperfections, soundness, instability, inconsistency, or suitability for the purpose selected.

This warranty does not cover replacements and/or corrections caused by misuse, improper maintenance or normal wear and tear, acts of nature, scratches, chips, or damage caused by failure of any adhesive, caulk or other accessory, or failure of any caulked or filled joint or seam. This Limited Warranty covers the product for normal interior use in the United States, Mexico and Canada and does not cover the product moved from its original place of installation. Products that are listed as discontinued will not be covered under warranty. Labor charges incurred during any installations are not included under this Limited Warranty. Samuel Müller® will NOT cover the expenses related to shipping the replacement part to the customer, including any shipping charges, duties, or additional costs associated with the shipment of the replacement item.

Samuel Müller® will, at its option, repair or replace the product with the original purchaser if a Samuel Müller® product fails due to a Samuel Müller® manufacturing defect, which is discovered during the warranted years as listed above after the initial purchase. Replacements and/or corrections are at the sole discretion of Samuel Müller® and will be limited in scope to a reasonable and equitable remedy.

This Limited Warranty applies to Samuel Müller® products that were purchased after January 1, 2011, and maintained as described by Samuel Müller's® care and maintenance guide. (If needed, the care and maintenance guide can be found on the Samuel Müller® website at www.samuelmueller.com.) For service under this Limited Warranty, you must notify Samuel Müller® in writing, providing your name and address, a description of the product involved, the nature of the defect or failure, and proof of purchase and date of purchase. Repair or replacement shall not include any labor charges. This limited warranty is non-transferable. Warranty problems should be submitted to: Samuel Müller® 800 Bronze Rd. Warren, OH 44483, email sales@samuelmueller.com or by submitting the Samuel Müller® Warranty Claim form as found at www.samuelmueller.com.

When used in a leased or rented residential single or multi-family unit, including duplexes, townhomes, condominiums, and apartments, Samuel Müller® warrants the product to be free from defects in material and workmanship for the designated duration to the original consumer who owns the property, but not the resident. Excluded are installations in public, industrial, or for any business purpose, such as hospitality or healthcare, which would be considered commercial use, referenced above.

THIS LIMITED WARRANTY IS IN LIEU OF ALL OTHER WARRANTIES, AND SAMUEL MUELLER® EXPRESSLY DISCLAIMS ALL OTHER WARRANTIES, EXPRESS OR IMPLIED, INCLUDING WITHOUT LIMITATION ANY IMPLIED WARRANTY OF MERCHANTABILITY OR FITNESS FOR A PARTICULAR PURPOSE. THIS LIMITED WARRANTY SETS FORTH THE PURCHASER'S SOLE REMEDY IN CONNECTION WITH THE SALE OR USE OF PRODUCTS COVERED BY THIS LIMITED WARRANTY AND IN NO EVENT SHALL SAMUEL MUELLER® BE OTHERWISE LIABLE FOR ANY LOSS, DAMAGE OR INJURY OF ANY NATURE ARISING OUT OF THE SALE OR USE OF THE PRODUCTS DELIVERED HEREUNDER, WHETHER FOR NEGLIGENCE, BREACH OF CONTRACT OR UNDER ANY OTHER LEGAL OR EQUITABLE THEORY. SAMUEL MUELLER® SHALL NOT BE LIABLE FOR ANY INDIRECT, SPECIAL OR CONSEQUENTIAL DAMAGES ARISING OUT OF THE SALE OR USE OF SUCH PRODUCTS, INCLUDING BUT NOT LIMITED TO LOST PROFITS, REVENUES, ANTICIPATED SALES, BUSINESS OPPORTUNITIES OR FOR INTERRUPTION OF BUSINESS*.

*Some states do not allow the exclusion or limitation of incidental or consequential damages, so the above limitation or exclusion may not apply to you. This warranty gives you specific legal rights, and you may also have other rights which may vary from state to state. Note: Samuel Müller® warranty does not include items identified as 'wear items' that can be purchased through Samuel Müller®. If you require replacement of a 'wear item,' please contact Samuel Müller®.

SAMUEL MÜELLER

844-974-2400
www.samuelmueller.com



6/5/26